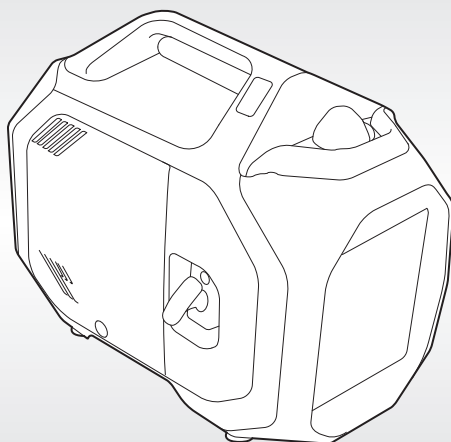


**HONDA**

# Owner's Manual

## **GENERATOR**

### **EU3200i**



*See page 13 for Initial Use Instructions*



## **WARNING:**



The engine exhaust from this product contains chemicals known to the State of California to cause cancer, birth defects or other reproductive harm.

## **WARNING**

Exhaust contains poisonous carbon monoxide gas that can build up to dangerous levels in enclosed or partly enclosed areas.

Breathing carbon monoxide can cause unconsciousness or death.

Never run this product's engine in an enclosed, or even partly enclosed area.

Keep this owner's manual handy so that you can refer to it any time. This owner's manual is considered a permanent part of the generator and should remain with the generator if resold.

The information and specifications included in this publication were in effect at the time of approval for printing. Honda Motor Co., Ltd. reserves the right, however, to discontinue or change specifications or design at any time without notice and without incurring any obligation whatsoever.

The illustration may vary according to the type.

# INTRODUCTION

Thank you for purchasing a Honda generator.

We would like to help you get the best results from your new generator and to operate it safely. This manual contains the information on how to do that; please read it carefully.

We suggest you read the "Distributor's Limited Warranty" (see page 79) to fully understand its coverage and your responsibilities of ownership.

When your generator needs scheduled maintenance, keep in mind that your Honda servicing dealer is specially trained in servicing Honda generators and is supported by the parts and service divisions of American Honda. Your Honda servicing dealer is dedicated to your satisfaction and will be pleased to answer your questions and concerns.

# INTRODUCTION

---


## A FEW WORDS ABOUT SAFETY

Your safety and the safety of others are very important.

We have provided important safety messages in this manual and on the generator. This information alerts you to potential hazards that could hurt you or others. Please read these messages carefully.

Of course, it is not practical or possible to warn you about all the hazards associated with operating or maintaining a generator. You must use your own good judgment.

You will find important safety information in a variety of forms:

- **Safety Labels** — on the generator.
- **Instructions** — how to use this generator correctly and safely.
- **Safety Headings** — such as *IMPORTANT SAFETY INFORMATION*.
- **Safety Messages** — preceded by a safety alert symbol  and one of three signal words, DANGER, WARNING, or CAUTION.

These signal words mean:

 **DANGER**

You WILL be KILLED or SERIOUSLY HURT if you do not follow instructions.

 **WARNING**

You CAN be KILLED or SERIOUSLY HURT if you do not follow instructions.

 **CAUTION**

You CAN be HURT if you do not follow instructions.

This entire book is filled with important safety information - please read it carefully.

## DAMAGE PREVENTION MESSAGES

In addition to the above, you will find information preceded by a **NOTICE** symbol. That information is intended to help you avoid damage to your generator, other property, or the environment.

# CONTENTS

<b>INTRODUCTION .....</b>	<b>1</b>
<b>GENERATOR SAFETY .....</b>	<b>6</b>
IMPORTANT SAFETY INFORMATION .....	6
Operator Responsibility .....	6
Carbon Monoxide Hazards .....	7
Electric Shock Hazards .....	8
Fire and Burn Hazards .....	9
Refuel With Care .....	9
Vehicles and Transportation Hazards .....	10
SAFETY LABEL LOCATIONS .....	11
<b>INITIAL USE INSTRUCTIONS .....</b>	<b>13</b>
ENGINE OIL .....	13
ENGINE OIL RECOMMENDATIONS .....	14
FUEL .....	15
FUEL RECOMMENDATIONS .....	17
<b>CONTROLS &amp; FEATURES .....</b>	<b>18</b>
COMPONENT & CONTROL LOCATIONS .....	18
CONTROLS .....	20
Engine Switch .....	20
Starter Grip .....	20
Eco Throttle® Switch .....	21
CO-MINDER® (CO Shut-off System) .....	22
Parallel Operation Outlets .....	24
AC Circuit Protector .....	24
FEATURES .....	25
Ground Terminal .....	25
Fuel Level Indicator .....	25
Output Indicator .....	26
Overload Alarm Indicator .....	27
Oil Alert® /Check Indicator .....	27
LED Light Patterns .....	28
Bluetooth® Function .....	29
Smartphone application .....	29
Grip and Undergrip .....	31
<b>BEFORE OPERATION .....</b>	<b>32</b>
ARE YOU READY TO GET STARTED? .....	32
Knowledge .....	32
IS YOUR GENERATOR READY TO GO? .....	32
Check the Engine .....	33
AC Appliance and Power Cord .....	33

# CONTENTS

---

ENGINE OIL LEVEL CHECK .....	34
AIR FILTER CHECK .....	35
SAFE OPERATING PRECAUTIONS .....	37
<b>OPERATION .....</b>	<b>38</b>
STARTING THE ENGINE .....	38
STOPPING THE ENGINE .....	40
STOPPING THE ENGINE with <i>Bluetooth</i> ® ENABLED SMARTPHONE .....	41
HOW TO RESTART WHEN STOPPED BY CO-MINDER® (CO SHUT-OFF SYSTEM).....	41
AC OPERATION .....	42
AC Applications .....	44
AC PARALLEL OPERATION .....	45
AC Parallel Operation Applications .....	46
ECO THROTTLE® SYSTEM .....	49
STANDBY POWER.....	50
Connections to a Building's Electrical System.....	50
System Ground .....	50
Special Requirements.....	51
<b>SERVICING YOUR GENERATOR .....</b>	<b>52</b>
THE IMPORTANCE OF MAINTENANCE.....	52
MAINTENANCE SAFETY .....	53
Safety Precautions.....	53
MAINTENANCE SCHEDULE .....	54
ENGINE OIL CHANGE .....	55
AIR CLEANER SERVICE .....	56
Foam Air Filter Cleaning.....	56
SPARK PLUG SERVICE .....	57
SPARK ARRESTER SERVICE .....	59
<b>STORAGE .....</b>	<b>61</b>
STORAGE PREPARATION .....	61
Cleaning .....	61
Fuel .....	61
Engine Oil .....	64
Engine Cylinder .....	64
STORAGE PRECAUTIONS .....	65
REMOVAL FROM STORAGE.....	65
<b>TRANSPORTING .....</b>	<b>66</b>

<b>TAKING CARE OF UNEXPECTED PROBLEMS .....</b>	<b>67</b>
ENGINE SPEED IS UNSTABLE OR WILL NOT START .....	67
ENGINE LACKS POWER.....	68
NO POWER AT THE AC RECEPTACLES .....	68
ENGINE AUTOMATICALLY STOP AND THE CO ALARM INDICATOR FLASHING .....	69
ENGINE AUTOMATICALLY STOP AND THE FAULT/ CO SENSOR LIFE INDICATOR FLASHING .....	69
FAULT/CO SENSOR LIFE INDICATOR FLASHING WHEN RUNNING THE ENGINE.....	69
<b>TECHNICAL INFORMATION .....</b>	<b>70</b>
SERIAL NUMBER LOCATION .....	70
EMISSION CONTROL SYSTEM INFORMATION.....	71
Air Index.....	73
SPECIFICATIONS .....	74
WIRING DIAGRAM .....	76
<b>CONSUMER INFORMATION.....</b>	<b>77</b>
DEALER LOCATOR INFORMATION .....	77
Honda PUBLICATIONS.....	77
CUSTOMER SERVICE INFORMATION .....	78
Distributor's Limited Warranty.....	79
Emission Control System Warranty .....	84
REGISTRATION .....	89
Please Register Your Generator .....	89
<b>REFERENCE INFORMATION .....</b>	<b>90</b>
Information notice of Bluetooth unit .....	90
<b>INDEX.....</b>	<b>92</b>
<b>QUICK REFERENCE INFORMATION .....</b>	<b>inside back cover</b>

# GENERATOR SAFETY

## IMPORTANT SAFETY INFORMATION

Honda generators are designed for use with electrical equipment that has suitable power requirements. Other uses can result in injury to the operator or damage to the generator and other property.

Most injuries or property damage can be prevented if you follow all instructions in this manual and on the generator. The most common hazards are discussed below, along with the best way to protect yourself and others.

### **Operator Responsibility**

- Never attempt to modify the generator. It can cause an accident as well as damage to the generator and appliances.
- Know how to stop the generator quickly in case of emergency.
- Understand the use of all generator controls, output receptacles, and connections.
- Be sure that anyone who operates the generator receives proper instruction.
- Protect children by keeping them at a safe distance from the generator.
- Obey all applicable laws and regulations where the generator is used.



## Carbon Monoxide Hazards

A generator's exhaust contains toxic carbon monoxide, which you cannot see or smell. Breathing carbon monoxide can KILL YOU IN MINUTES. To avoid carbon monoxide poisoning, follow these instructions when operating a generator:

- Only run a generator OUTSIDE, far away from windows, doors, and vents with engine exhaust directed away from occupied structures.
- Never operate a generator inside a house, garage, basement, crawl space, any type of vehicle, trailer, or boat, or any enclosed or partly enclosed space.
- Never operate a generator near open doors, windows, vents, or hatches.
- Get fresh air and seek medical attention immediately if you suspect you have inhaled carbon monoxide.

Early symptoms of carbon monoxide exposure include headache, fatigue, shortness of breath, nausea, and dizziness. Continued exposure to carbon monoxide can cause loss of muscular coordination, loss of consciousness, and then death.

To alert you to potentially dangerous levels of carbon monoxide coming from a generator operating outside or from other sources, install battery operated carbon monoxide alarms or plug-in carbon monoxide alarms with battery back-up on every level of your home, outside sleeping areas, inside any type of vehicle, trailer, or boat in accordance with the alarm's instructions.

### CO-MINDER®:

This generator is equipped with a CO-MINDER® system that automatically stops the engine before the surrounding carbon monoxide concentration exceeds a certain concentration.

- Do not modify the CO-MINDER®.
- The CO-MINDER® cannot prevent all danger associated with or caused by carbon monoxide. Pay careful attention to the location of the generator (see page 22).

# GENERATOR SAFETY

---

## Electric Shock Hazards

The generator produces enough electric power to cause a serious shock or electrocution if misused.

- Do not use in wet conditions. Keep the generator dry.
  - Do not use in the rain or snow.
  - Do not use near pool or a sprinkler system.
  - Do not use when your hands are wet.
- If the generator is stored outdoors, unprotected from the weather, check all of the electrical components on the control panel before each use. Moisture or ice can cause a malfunction or short circuit in electrical components that could result in electrocution.
- Do not connect to a building's electrical system unless an isolation switch has been installed by a qualified electrician.
- For parallel operation, use only a Honda approved parallel cable (optional equipment) when connecting one EU3200i to another EU3200i generator.
- Never connect different generator models.

## **Fire and Burn Hazards**

- The exhaust system gets hot enough to ignite some materials.
  - Keep the generator at least 3 feet (1 meter) away from buildings and any type of vehicle, trailer, boat, or other equipment during operation.
  - Do not enclose the generator in any structure.
  - Keep flammable materials away from the generator.
  - Do not block intake or exhaust vents, hoses, ports, or restrict air into or away from generator.
  - Do not add, remove, or modify covers, panels, cowlings, or straps.
- The muffler becomes very hot during operation and remains hot for a while after stopping the engine. Be careful not to touch the muffler while it is hot. Let the engine cool before storing the generator.
- Do not pour the water directly on the generator to put out the fire when it occurs. Use an appropriate fire extinguisher specially designed for electric fire or oil fire.

## **Refuel With Care**

Gasoline is highly flammable, and gasoline vapor can explode.

- Do not refuel during operation.
- Allow the engine to cool if it has been in operation.
- Refuel only outdoors in a well-ventilated area and on a level surface.
- Never smoke near gasoline, and keep other flames and sparks away.
- Do not overfill the fuel tank.
- Make sure that any spilled fuel has been wiped up and cleaned before starting the engine.
- Always store gasoline in an approved container.

# GENERATOR SAFETY

---

## Vehicles and Transportation Hazards

- Drain the fuel from the fuel tank when transporting by vehicle.
- Do not operate the generator while it is being transported or while it is mounted to any type vehicle, trailer, or boat.
- Do not operate the generator when it is in a storage, cargo, or security enclosure, including any RV generator bay.
- Always completely remove the generator from the vehicle, RV, truck, trailer, boat, other equipment or structure during operation.
- The generator must remain stationary while in operation.

## SAFETY LABEL LOCATIONS

These labels warn you of potential hazards that can cause serious injury. Read them carefully.

If a label comes off or becomes hard to read, contact your servicing dealer for a replacement.

**⚠ AUTOMATIC SHUTOFF- YOU MUST:**

MOVE GENERATOR TO AN OPEN, OUTDOOR AREA. POINT EXHAUST AWAY. DON'T RUN GENERATOR IN ENCLOSED AREAS (E.G. NOT IN HOUSE OR GARAGE).



**+** MOVE TO FRESH AIR AND GET MEDICAL. HELP IF SICK, DIZZY OR WEAK.

**CO-MINDER RESET STEPS**

- 1 TAKE GENERATOR OUTSIDE
- 2 PUSH RESET BUTTON
- 3 START GENERATOR

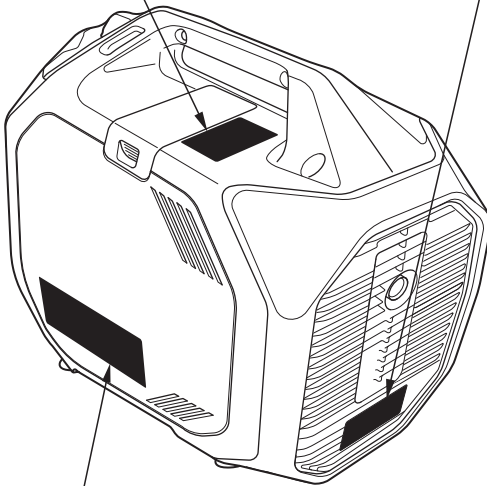
**⚠ WARNING**

Operation of This Equipment May Create Sparks That Can Start Fires Around Dry Vegetation. A Spark Arrestor May be Required. The Operator Should Contact Local Fire Agencies For Laws or Regulations Relating to Fire Prevention Requirements.

Per California Public Resources Code 4442.6

**⚠ CAUTION**

A hot exhaust system can cause serious burns.  
 ■ Avoid contact if the engine has been running.



**⚠ WARNING**

Gasoline is highly flammable and explosive. You could be burned or seriously injured if the gasoline is ignited.

- Before refueling, stop the engine and keep heat, sparks, and flame away.
- Handle fuel only outdoors.
- Do not fill the fuel tank above the upper limit line.
- Wipe up spills immediately.
- Keep flammable materials away from the generator.

Exhaust contains poisonous carbon monoxide gas that can build up to dangerous levels in closed areas. Breathing carbon monoxide can cause unconsciousness or death.

- Never run the generator in a closed, or even partly closed area where people may be present. ■ Direct generator exhaust away from windows, doors, and vents.
- Install CO alarms inside a home.

**⚠ WARNING**

Improper connections to a building can allow electrical current to backfeed into utility lines, creating an electrocution hazard.







- Connections to a building must isolate generator power from utility power and comply with all applicable laws and electrical codes.

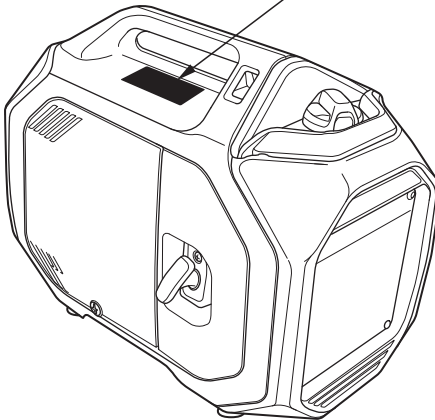
The generator is a potential source of electrical shock if not kept dry or cover is removed.

- Do not expose the generator to moisture, rain or snow.
- Do not operate the generator with wet hands.
- Do not remove covers when engine is running.

Read owner's manual carefully before operation.

# GENERATOR SAFETY

<b>⚠ DANGER</b>		<b>⚠ WARNING</b>
<p>Using a generator indoors <b>CAN KILL YOU IN MINUTES.</b> Generator exhaust contains carbon monoxide. This is a poison you cannot see or smell.</p>		
 	 	<p><b>DO NOT OVERFILL ! DO NOT TIP !</b> Do not fill tank past red limit mark. Overfilling or tipping over the generator can result in fuel flowing through the vent tube and causing a leak and fire. You can be burned or seriously injured.</p>
<p><b>NEVER</b> use inside a home or garage, <b>EVEN IF</b> doors and windows are open.</p>	<p>Only use <b>OUTSIDE</b> and far away from windows, doors, and vents.</p>	
	<p>Do <b>NOT</b> modify the Carbon Monoxide (CO) shutoff system. CO gas is poisonous and can seriously injure or kill you.</p>	

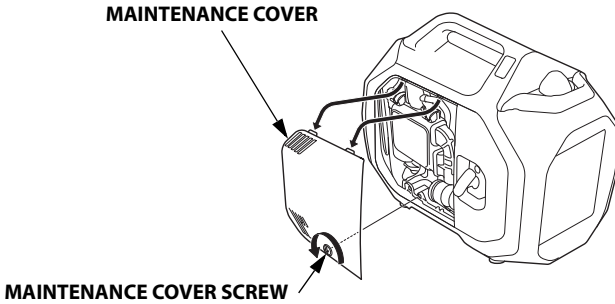


# INITIAL USE INSTRUCTIONS

## ENGINE OIL

The generator is shipped **WITHOUT OIL** in the engine.

1. Place the generator on a level surface.
2. Loosen the maintenance cover screw and remove the maintenance cover.

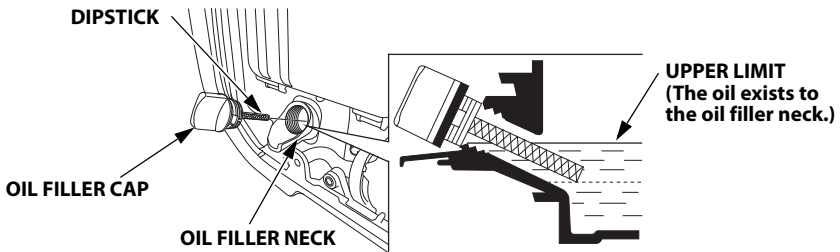


3. With the generator in a level position, remove the oil filler cap by turning it counterclockwise.
4. Add enough oil to bring the oil level to the upper limit of the oil filler neck. SAE10W-30 API service category SJ or later (or equivalent) is recommended for general use; for additional recommendations (see page 14).

**Maximum oil capacity:** 15 oz (0.46 L)

**Do not overfill the engine with oil.** If the engine is overfilled, the excess oil may be transferred to the air cleaner housing and air filter.

5. Screw in the oil filler cap securely.



6. Reinstall the maintenance cover and tighten the maintenance cover screw securely.

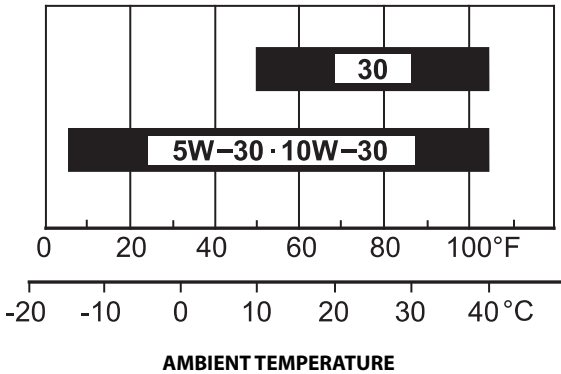
# INITIAL USE INSTRUCTIONS

---

## ENGINE OIL RECOMMENDATIONS

Oil is a major factor affecting performance and service life. Use 4-stroke automotive detergent oil.

SAE 10W-30 is recommended for general use. Other viscosities shown in the chart may be used when the average temperature in your area is within the recommended range.



Read the instructions on the oil container before use.

The SAE oil viscosity and API service category are in the API label on the oil container. Honda recommends that you use API service category SJ or later (or equivalent) oil.



# INITIAL USE INSTRUCTIONS

## FUEL

Add fuel to the generator in a well-ventilated area. Fuel only outdoors. Keep gasoline away from appliance, such as pilot lights, barbecues, electric appliances, power tools, etc. Spilled fuel is not only a fire hazard, it causes environmental damage. Fuel carefully to avoid spilling fuel. Wipe up spills immediately. Do not fill the fuel tank above the upper level mark (red) on the fuel strainer. Overfilling can allow fuel to drain into the vent tube and cause a spill or fire. After fueling, reinstall the fuel tank cap securely.

When appropriate, with the engine stopped, check the fuel level indicator for the fuel level. If the fuel level is low, wait for the generator to cool off and refill the fuel tank.

This engine is certified to operate on unleaded gasoline with a pump octane rating 86 or higher. Refer to "FUEL RECOMMENDATIONS" (see page 17) for additional fuel recommendations.

### WARNING

Gasoline is highly flammable and explosive.

You can be burned or seriously injured when handling fuel.

- Stop the engine and let it cool before handling fuel.
- Keep heat, sparks, and flame away.
- Handle fuel only outdoors.
- Keep away from your vehicle.
- Wipe up spills immediately.

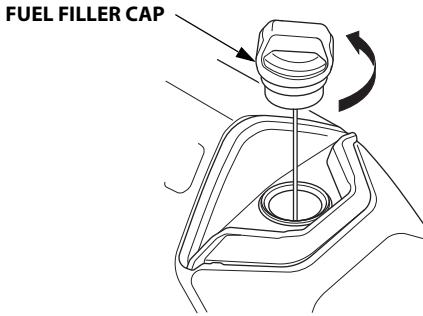
### NOTICE

*Fuel can damage paint and plastic. Be careful not to spill fuel when filling your fuel tank. Damage caused by spilled fuel is not covered under the Distributor's Limited Warranty (U.S.) / Distributor's Warranty (C.A.).*

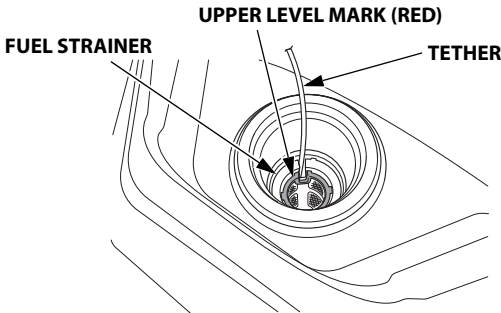
# INITIAL USE INSTRUCTIONS

---

1. Remove the fuel filler cap.



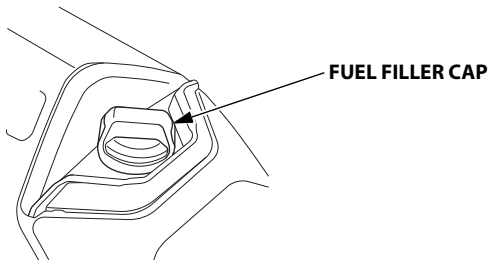
2. Fuel carefully to avoid spilling fuel. Do not fill the fuel tank above the upper level mark (red) on the fuel strainer.



## NOTICE

*Fuel can damage paint and plastic. Be careful not to spill fuel when filling your fuel tank. Damage caused by spilled fuel is not covered under the Distributor's Limited Warranty (U.S.) / Distributor's Warranty (C.A.).*

3. After refueling, tighten the fuel filler cap until it clicks.



Move the generator at least 10 feet (3 meters) away from the fueling source and site before starting the engine.

## FUEL RECOMMENDATIONS

This engine is certified to operate on regular unleaded gasoline with a pump octane rating of 86 or higher.

Use unleaded gasoline only, or the catalyzer will lose its effectiveness and negatively affect exhaust emissions.

Never use gasoline that is stale, contaminated, or mixed with oil. Avoid getting dirt or water in the fuel tank.

You may use regular unleaded gasoline containing no more than 10% ethanol (E10) or 5% methanol by volume. In addition, methanol must contain cosolvents and corrosion inhibitors.

Use of fuels with content of ethanol or methanol greater than shown above may cause starting and/or performance problems. It may also damage metal, rubber, and plastic parts of the fuel system.

Engine damage or performance problems that result from using a fuel with percentages of ethanol or methanol greater than shown above and leaded gasoline are not covered under the Distributor's Limited Warranty (U.S.) / Distributor's Warranty (C.A.).

If your equipment will be used on an infrequent basis, refer to the fuel section of "STORAGE" chapter (see page 61) for additional information regarding fuel deterioration.

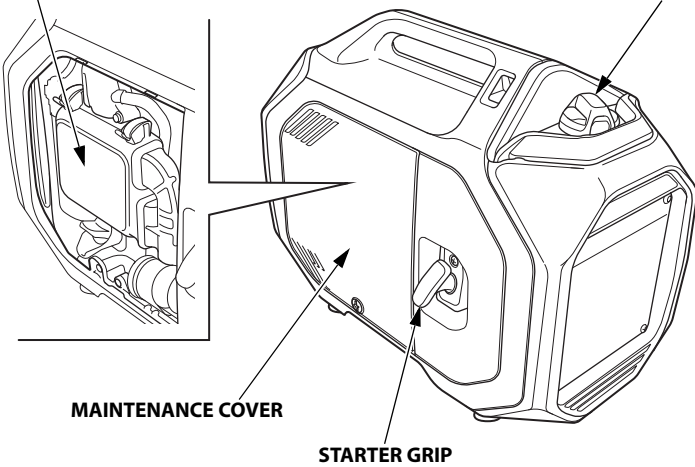
# CONTROLS & FEATURES

## COMPONENT & CONTROL LOCATIONS

Use the illustrations on these pages to locate and identify the most frequently used controls.

**AIR CLEANER**

**FUEL FILLER CAP**



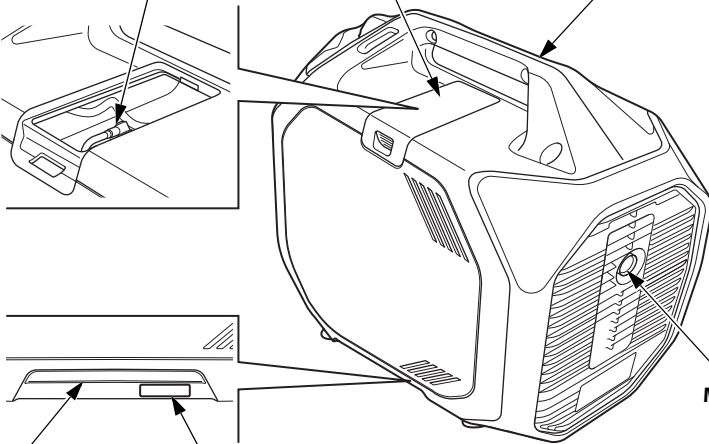
**MAINTENANCE COVER**

**STARTER GRIP**

**SPARK PLUG MAINTENANCE COVER**

**SPARK PLUG**

**GRIP**

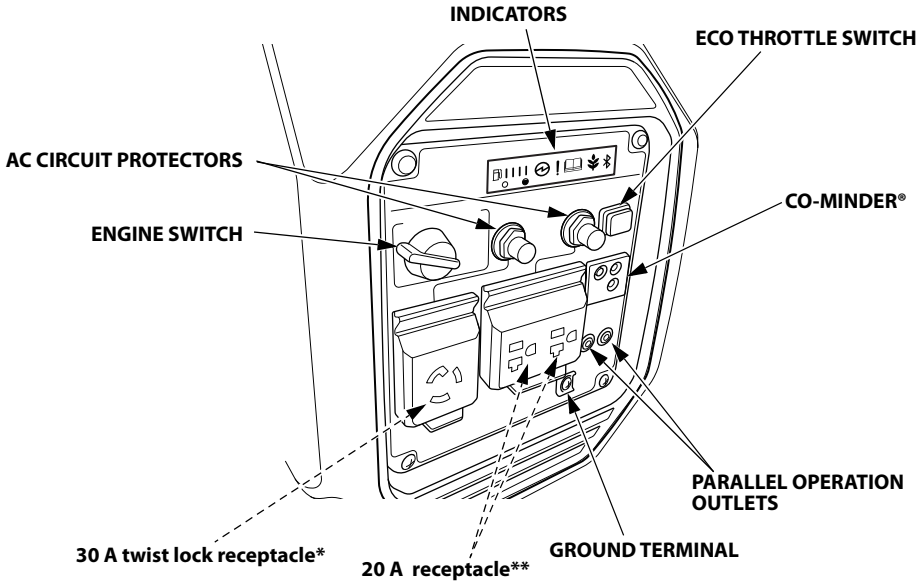


**UNDERGRIP**

**FRAME SERIAL NUMBER**

**MUFFLER**

# CONTROLS & FEATURES



\* To obtain more than the rated load of 2.6 kVA from the 30 A twist lock receptacle, you must have another EU3200i generator connected in parallel (see page 45).

\*\* The combined output of both outlets in the receptacle is 20 A.

# CONTROLS & FEATURES

## CONTROLS

### Engine Switch

The engine switch controls the ignition system.

OFF – Stops the engine.

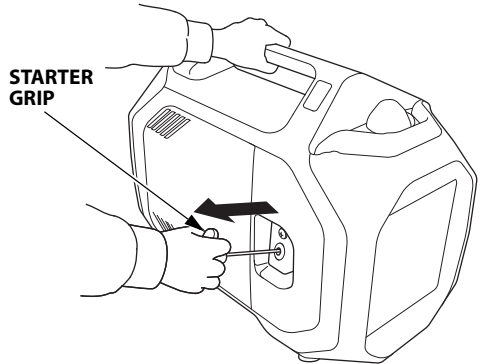
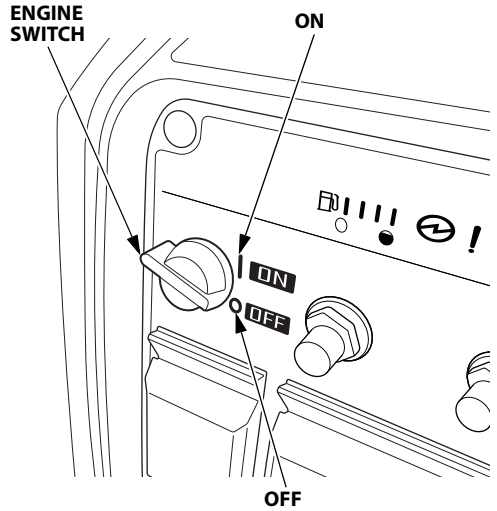
ON – Running position, and for starting with the recoil starter.

### Starter Grip

Pulling the starter grip operates the recoil starter to start the engine.

#### NOTICE

*Do not allow the starter grip to snap back against the generator. Return it gently to prevent damage to the starter.*



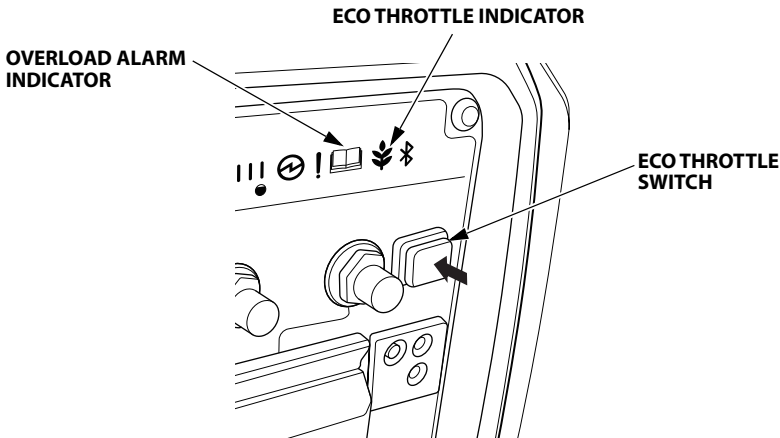
## Eco Throttle® Switch

The Eco Throttle® system automatically reduces engine speed when loads are turned off or disconnected. When appliances are turned on or reconnected, the engine returns to the proper speed to power the electrical load.

Each time you push the Eco Throttle Switch, the system turns on and off.

If high electrical loads are connected simultaneously, push the Eco Throttle system to OFF to reduce voltage changes.

Eco Throttle system ON	Indicator lights on (green) <ul style="list-style-type: none"><li>• Recommended to minimize fuel consumption and further reduce noise levels when less than a full load is applied to the generator.</li></ul>
Eco Throttle system OFF	Indicator lights off <ul style="list-style-type: none"><li>• The Eco Throttle system does not operate.</li></ul>



### OVERLOAD RESET:

If the power generation stops due to overload and the overload alarm indicator is blinking, overload reset is available. After removing the cause of the overload, power generation can be resumed by pressing and holding the Eco Throttle® switch (for more than 3 seconds).

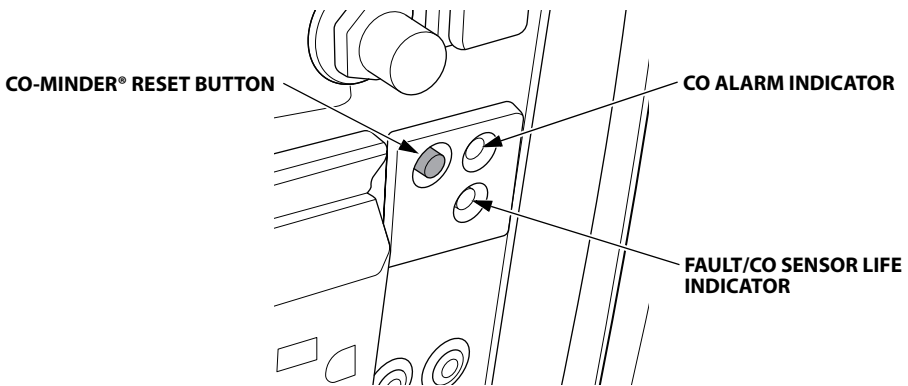
# CONTROLS & FEATURES

---

## CO-MINDER® (CO Shut-off System)

CO-MINDER® is a system that automatically stops the engine before the surrounding carbon monoxide concentration exceeds a certain level. If the CO-MINDER® detects a high carbon monoxide concentration, the engine will stop and the CO ALARM indicator will flash for about five minutes.

Continuously using the generator in areas with high concentrations of carbon monoxide can cause serious health hazards due to carbon monoxide poisoning (see page 7). If you are in the same area as the generator, evacuate the area immediately. Get fresh air and seek medical attention immediately if you feel sick or suspect you have inhaled carbon monoxide. Ventilate the area or space where the generator is located.



If the engine is stopped by the CO-MINDER® system, change the operating location of the generator.

- Do not operate the generator in an enclosed or partly enclosed area such as a garage.
- Do not enclose or cover the generator with boards or a tent, even when it is outside and away from of a building.
- Place the generator so that the muffler is pointed in the same direction as the wind is blowing and the exhaust is directed away from buildings, other structures, or vehicles (see page 47).
- Avoid placing the generator near devices that emit carbon monoxide, such as another generator.
- When operating generators in parallel operation, place the generators so that the exhaust from one generator is not directed onto the other generator (see page 47).



## RESTARTING THE ENGINE

When the engine is stopped automatically by CO-MINDER®, press the CO-MINDER reset button to restart the engine.

If the engine is restarted without pressing the CO-MINDER® reset button, the engine will automatically stop immediately after restarting and the CO ALARM indicator will flash for approximately five minutes.

Resetting the CO-MINDER® is possible only after the CO ALARM indicator is turned off.

## CO-MINDER® MALFUNCTION DETECTION

If the CO-MINDER® detects a system malfunction, the engine will stop automatically and the FAULT/CO SENSOR LIFE indicator will flash for approximately five minutes. Press the CO-MINDER® reset button to turn off the FAULT/CO SENSOR LIFE indicator. If the engine will not remain running after attempting to restart it and the FAULT/CO SENSOR LIFE indicator comes on again, there may be a system malfunction. If this occurs, do not attempt to restart the generator more than two times. If the CO-MINDER® system is malfunctioning, it cannot warn you of potential high concentrations of carbon monoxide. Move the generator to a well-ventilated location and consult an authorized Honda Power Equipment dealer.

## CO SENSOR LIFE

If the FAULT/CO SENSOR LIFE indicator flashes when operating the generator, the CO-MINDER® may be reaching the end of its useful lifespan and will eventually need replacement.

- If the indicator flashes once every four seconds, this means there is approximately six months to one year of life left in the CO-MINDER®.
- If the indicator flashes once every two seconds, this means there is approximately six months of life or less left in the CO-MINDER®.

### NOTICE

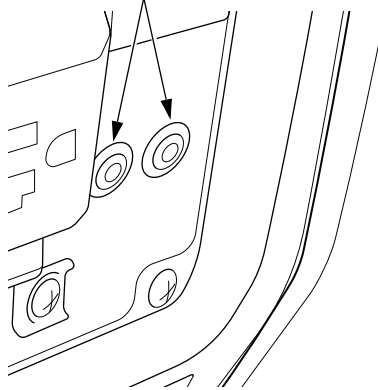
- *The FAULT/CO SENSOR LIFE indicator indicates the estimated life left in the CO-MINDER®.*
- *The generator stopping period and storage period are also included in the useful lifespan of the CO-MINDER®.*
- *Contact an authorized Honda Power Equipment dealer for CO-MINDER® replacement.*

# CONTROLS & FEATURES

## Parallel Operation Outlets

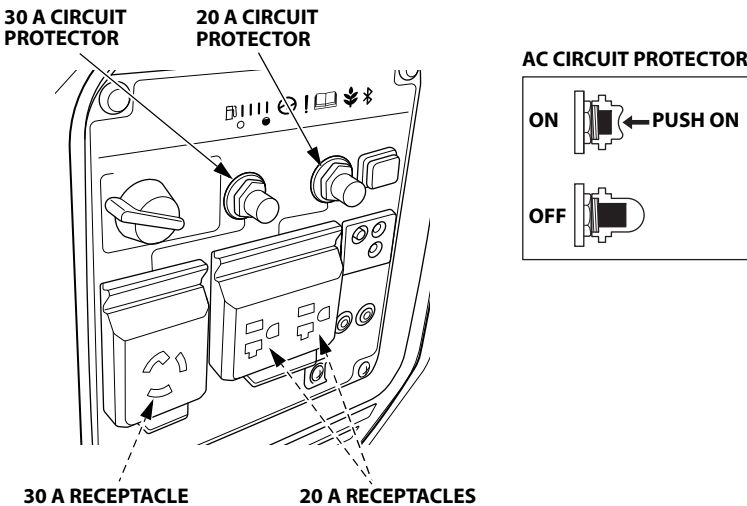
These outlets are used for connecting two EU3200i generators for parallel operation (see page 45 through 48). A Honda approved parallel cable (optional equipment) is required for parallel operation. This cable can be purchased from an authorized Honda generator dealer.

### PARALLEL OPERATION OUTLETS



## AC Circuit Protector

The AC circuit protectors will automatically switch OFF if there is a short circuit or a significant overload of the generator at each receptacle. If an AC circuit protector switches OFF automatically, check that the appliance is working properly and does not exceed the rated load capacity of the circuit before resetting the AC circuit protector ON.



## FEATURES

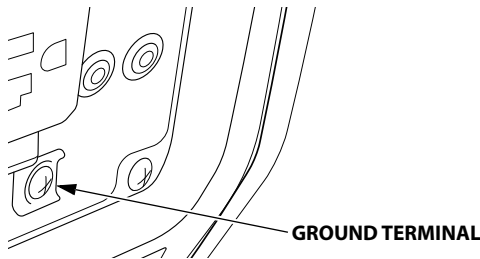
### Ground Terminal

The generator ground terminal is connected to the frame of the generator, the metal non-current-carrying parts of the generator, and the ground terminals of each receptacle.

Before using the ground terminal, consult a qualified electrician, electrical inspector, or local agency having jurisdiction for local codes or ordinances that apply to the intended use of the generator.

### NEUTRAL FLOATING:

- The generator (stator winding) is isolated from the frame and from the AC receptacle ground pin.
- Electrical devices that require a grounded receptacle pin connection will not function if the receptacle ground pin is not functional.



### Fuel Level Indicator

The fuel level indicator is a mechanical device that measures the fuel level in the tank. To provide increased operating time, start with a full tank before operation. Check the fuel level with the generator on a level surface. Always refuel with the engine OFF and cool.



FUEL LEVEL INDICATOR

The indicator according to the generator's fuel level as follows:



80 % or more



60-80 %



40-60 %



20-40 %



20 % or less

# CONTROLS & FEATURES

---

## Output Indicator

The output indicator (green) is illuminated when the generator is operating normally. It indicates that the generator is producing electrical power at the receptacles.

In addition, the output indicator has a simplified hour meter function. When you start the engine, the indicator blinks according to the generator's cumulative operating hours as follows:

- No blinks: 0–100 hours
- 1 blink: 100–200 hours
- 2 blinks: 200–300 hours
- 3 blinks: 300–400 hours
- 4 blinks: 400–500 hours
- 5 blinks: 500 or more hours

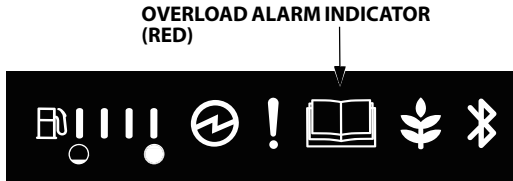


**OUTPUT INDICATOR  
(GREEN)**

## Overload Alarm Indicator

If the generator is overloaded (in excess of 3.2 kVA), or if there is a short circuit in a connected appliance, the overload alarm indicator (red) will come ON. The overload alarm indicator (red) will stay ON, and after about 10 seconds when an overload or about 5 seconds in case of a short circuit, current to the connected appliance(s) will shut off, and the output indicator (green) will go OFF. However, the engine will continue to run.

If the overload alarm indicator (red) blinks continuously, press and hold the ECO Throttle switch to reset it (see page 21).



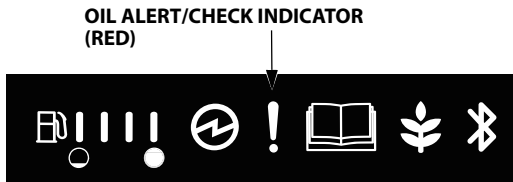
## Oil Alert®/Check Indicator

The Oil Alert® system is designed to prevent engine damage caused by an insufficient amount of oil in the crankcase. Before the oil level in the crankcase can fall below a safe limit or in the case of engine overheat, the Oil Alert/Check indicator (red) comes ON and the Oil Alert system automatically will stop the engine (the engine switch will remain in the ON position).

If the engine stops or the Oil Alert/Check indicator (red) comes ON when you pull the starter grip, check the engine oil level (see page 34) before troubleshooting in other areas. Also, make sure to install the generator on a level surface.

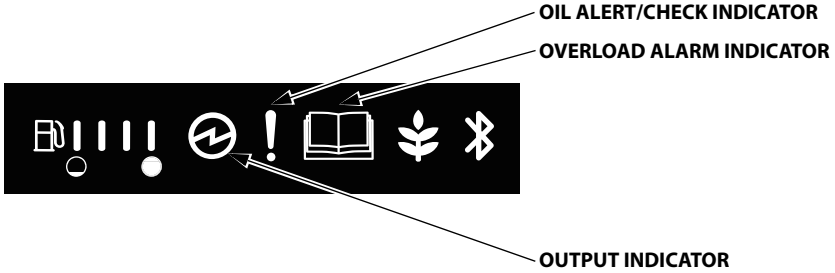
The engine may stop due to the activating the oil alert system even if the engine oil level is the normal when the generator is tilted.

If the Oil Alert/Check indicator (red) blinks continuously, it suggests an abnormal, contact your servicing dealer.



# CONTROLS & FEATURES

## LED Light Patterns



Status	Possible cause	Output Indicator	Oil Alert/ Check Indicator	Overload Alarm Indicator
Normal	Operating normally	○	●	●
Malfunction	Inverter unit failure etc.	○/●/☼	☼	●
Abnormal	Output overcurrent	●	●	○/☼
	Inverter unit overheat	●	●	○
Warning	<ul style="list-style-type: none"> <li>• Engine oil low</li> <li>• Tilt detection</li> <li>• Engine overheat</li> </ul>	●	○	●

- : ON
- : OFF
- ☼: Blinking

Refer to "TAKING CARE OF UNEXPECTED PROBLEMS" on page 67 for failure diagnosis.

## **Bluetooth® Function**

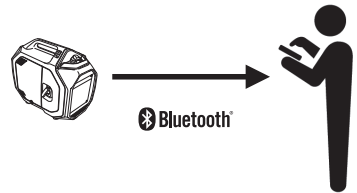
The generator is connected to a smartphone via a *Bluetooth®* connection.

- The range between your *Bluetooth®* enabled smartphone and the generator can be maximized when there is a clear, obstruction free, line-of-sight between devices. The connection distance is also affected by the type of smartphone used and the surrounding environment, structures, and electronic interference.

## **Smartphone application**

The Honda “My Generator” smartphone application is for use only with Honda generators equipped with *Bluetooth®* technology. The application is able to do the following convenient functions:

- Remote stop:  
Can stop the generator engine from a distance
- Remote change the Eco Throttle® system from a distance
- Remote monitoring:  
Displays power output level and remaining fuel level etc.
- Receive notifications:  
Can receive error and maintenance alerts



Downloading the app

Go to the App Store (iOS) or Google Play

(Android) and search for “Honda My Generator” to download the app.

Pairing (For first time connection only)

Refer to the Support on the Honda “My Generator” smartphone application to pair the smartphone with the generator.

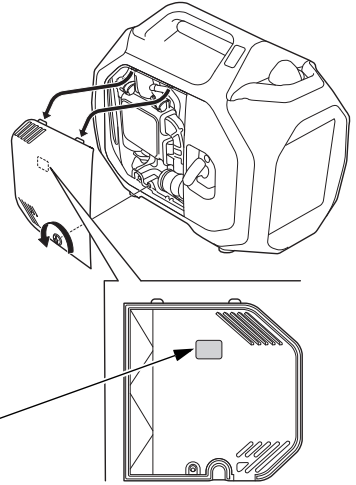
- Perform the pairing operation within 30 seconds after starting the engine.

# CONTROLS & FEATURES

---



BLUETOOTH INDICATOR



BLUETOOTH PASSWORD

The indicator according to the *Bluetooth*® connection as follows:

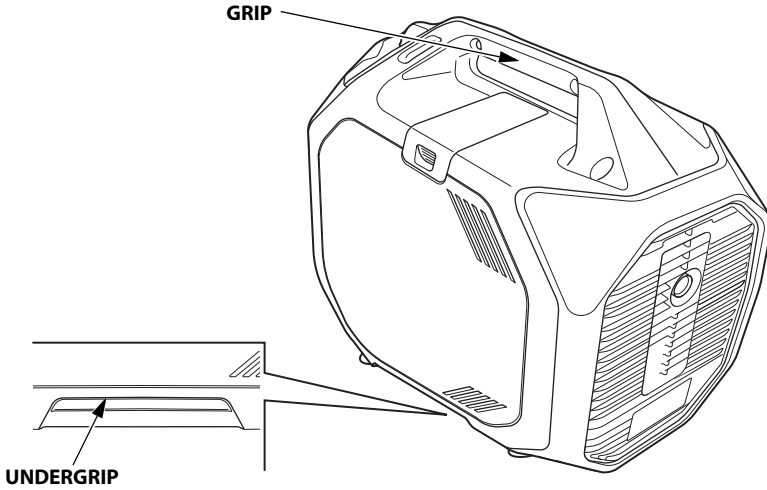
- OFF: Not connected
- Fast Blinking: Malfunction
- Slow Blinking: Pairing available
- ON: Connected



## Grip and Undergrip

Use the hand grip when lifting the generator.

In addition to using the grip, you can lift the generator using the undergrip with your other hand if necessary.



# BEFORE OPERATION

## ARE YOU READY TO GET STARTED?

Your safety is your responsibility. A little time spent in preparation will significantly reduce your risk of injury.

### **Knowledge**

Read and understand this manual. Know what the controls do and how to operate them.

Familiarize yourself with the generator and its operation before you begin using it. Know how to quickly shut off the generator in case of an emergency.

If the generator is being used to power appliances, be sure that they do not exceed the generator's load rating (see pages 44 and 48).

## IS YOUR GENERATOR READY TO GO?

For your safety, to ensure compliance with environmental regulations, and to maximize the service life of your equipment, it is very important to take a few moments before you operate the generator to check its condition. Be sure to take care of any problem you find, or have your servicing dealer correct it, before you operate the generator.

### **WARNING**

Failure to properly maintain this generator, or failing to correct a problem before operation, could result in a significant malfunction.

Some malfunctions can cause serious injuries or death.

Always perform a pre-operation inspection before each operation and correct any problems.

To prevent a possible fire, keep the generator at least 3 feet (1 meter) away from building walls, vehicles, and other equipment during operation. Do not place flammable objects close to the engine or exhaust.

Before beginning your pre-operation checks, be sure the generator is on a level and firm surface and the engine switch is in the OFF position.

### **Check the Engine**

- Before each use, look around and underneath the engine for signs of oil or gasoline leaks.
- Check the engine oil level (see page 34). A low engine oil level will cause the Oil Alert system to shut down the engine.
- Check the air filters (see page 35). Dirty air filters will restrict air flow to the fuel system, reducing engine and generator performance.
- Check the fuel level (see page 15). Starting with a full tank will help to eliminate or reduce operating interruptions for refueling.

### **AC Appliance and Power Cord**

Before connecting an AC appliance or power cord to the generator:

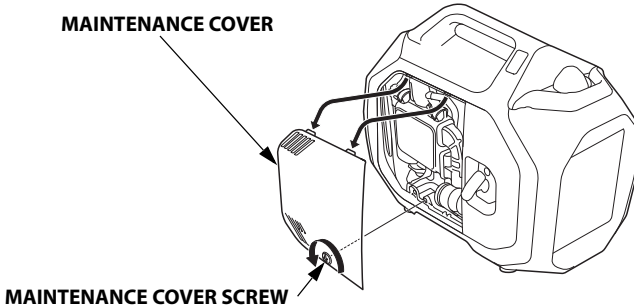
- Use grounded 3-prong extension cords, tools, and appliances, or double-insulated tools and appliances.
- Inspect cords and plugs, and replace if damaged.
- Make sure that the appliance is in good working order. Faulty appliances or power cords can create a potential for electric shock.
- Make sure the electrical rating of the tool or appliance does not exceed the rated power of the generator or the receptacle being used.
- Do not exceed the current limit specified for any one receptacle.

# BEFORE OPERATION

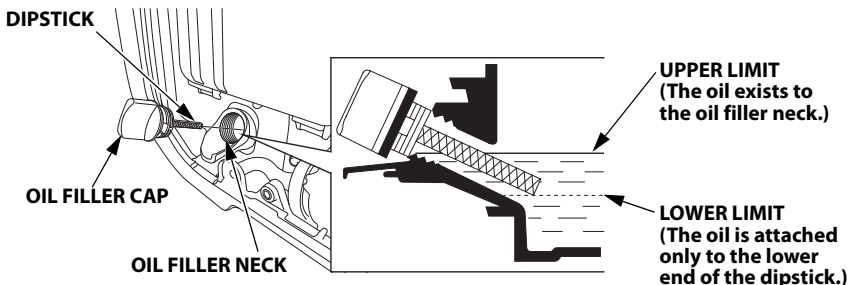
## ENGINE OIL LEVEL CHECK

Check the engine oil level with the generator on a level surface and the engine stopped.

1. Loosen the maintenance cover screw and remove the maintenance cover.



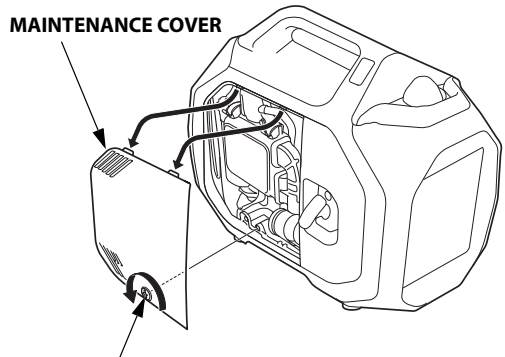
2. Remove the oil filler cap by turning it counterclockwise. Wipe the dipstick clean.
3. Insert the dipstick into the oil filler neck as shown, but do not screw it in, then remove it to check the oil level.
4. If the oil level is near or below the lower limit, fill with the recommended oil to the upper limit. Do not overfill.
  - "Upper limit" means the oil exists to the oil filler neck.
  - "Lower limit" means the oil is attached only to the lower end of the dipstick.Refer to "ENGINE OIL RECOMMENDATIONS" in page 14.
5. Reinstall the oil filler cap securely.
6. Reinstall the maintenance cover and tighten the maintenance cover screw securely.



The Oil Alert system will automatically stop the engine before the oil level falls below safe limits. However, to avoid the inconvenience of an unexpected shutdown, check the oil level regularly.

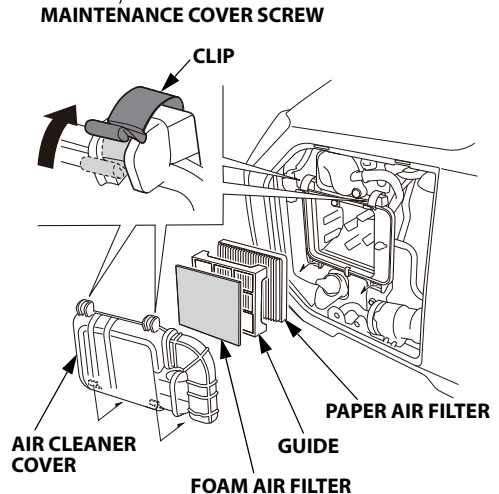
## AIR FILTER CHECK

1. Loosen the maintenance cover screw and remove the maintenance cover.



2. Unsnap the air cleaner cover clips; remove the air cleaner cover.

3. Remove the foam air filter from the air cleaner cover.



4. Check the foam air filter to be sure it is clean and in good condition. If the foam air filter is dirty, clean it as described on page 56. Replace the foam air filter if it is damaged.

5. Reinstall the foam air filter in the air cleaner cover.

6. Remove the paper filter from the guide.

7. If the paper air filter is dirty, replace it with a new one. Do not clean the paper air filter.

## BEFORE OPERATION

---

8. Reinstall the paper air filter, the guide and the air cleaner cover.
9. Reinstall the maintenance cover, and tighten the maintenance cover screw securely.

### NOTICE

*Operating the engine without the air filters or with a damaged air filter will allow dirt to enter the engine, causing rapid engine wear. This type of damage is not covered by the Distributor's Limited Warranty (U.S.) / Distributor's Warranty (C.A.).*

## SAFE OPERATING PRECAUTIONS

Before operating the generator, review chapters "GENERATOR SAFETY" (see page 6).

For your safety, do not operate the generator in an enclosed, or partly enclosed area such as a garage (even if the door is open) or near structures or vehicles. Your generator's exhaust contains poisonous carbon monoxide gas that can collect rapidly in such areas, structures, vehicles, trailers, or boats.

- Do not operate the generator when it is in a storage, cargo, or security enclosure, including any RV generator bay.
- Always completely remove the generator from the vehicle, trailer, boat or other equipment or structure during operation.
- The generator must remain stationary while in operation.

### **WARNING**

Exhaust contains poisonous carbon monoxide gas that can build up to dangerous levels in enclosed or partly enclosed areas.

Breathing carbon monoxide can cause unconsciousness or death.

Never run this product's engine in an enclosed, or even partly enclosed area.

# OPERATION

## STARTING THE ENGINE

To prevent a possible fire, keep the generator at least 3 feet (1 meter) away from building or trailer walls, vehicles, trailers, boats, and other equipment during operation. Do not place flammable objects close to the engine or exhaust.

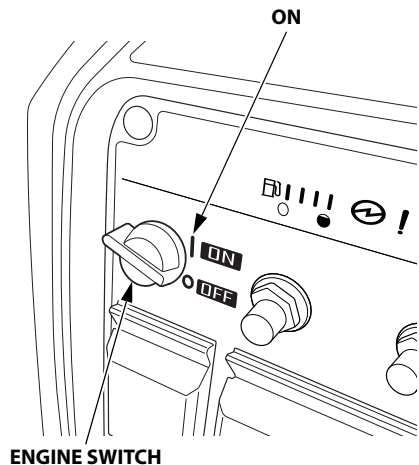
### NOTICE

- *Operating this generator less than 3 feet (1 meter) from a building, obstruction, or when it is in an enclosure, a storage or security compartment/bay, can cause overheating and damage the generator or your property.*
- *For proper cooling, allow at least 3 feet (1 meter) of empty space above and around the generator.*  
*Keep all cooling holes open and clear of debris, mud, water, etc. Cooling holes are located on the side panel, the control panel, and the bottom of the generator. If the cooling holes are blocked, the generator may overheat and damage the engine, inverter, or windings.*
- *Since the CO-MINDER® may detect the carbon monoxide concentration and the engine may stop automatically, pay attention to the direction of exhaust and where the generator is located (see page 22).*

Refer to "SAFE OPERATING PRECAUTIONS" on page 37 and perform the "IS YOUR GENERATOR READY TO GO?" checks (see page 32).

Refer to "AC OPERATION" (see page 42) for connecting loads to the generator.

1. Make sure that all appliances are disconnected from the AC receptacle.
2. Turn the engine switch to the ON position.

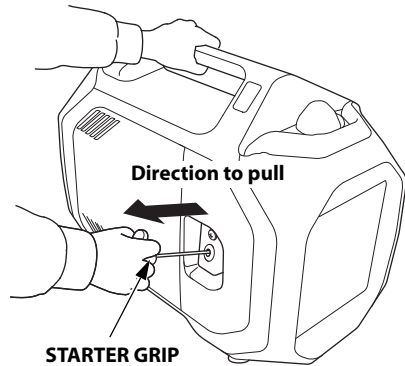




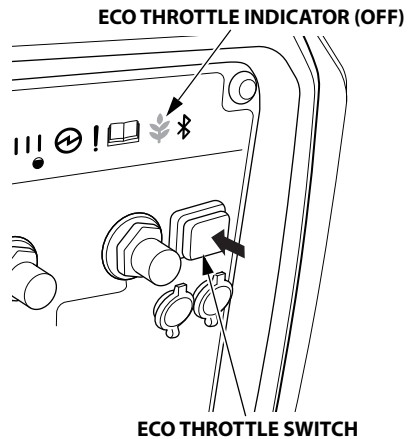
3. Pull the starter grip lightly until you feel resistance; then pull briskly in the direction of the arrow as shown.

## NOTICE

*Do not allow the starter grip to snap back against the generator. Return it gently to prevent damage to the starter.*



4. If you don't wish to use the Eco Throttle system, push the Eco Throttle switch to Eco Throttle system OFF.



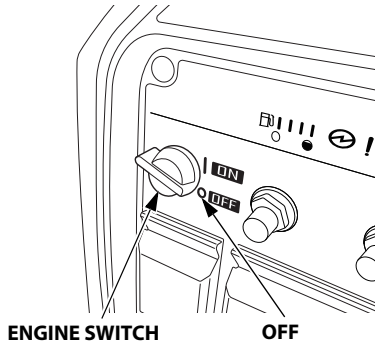
# OPERATION

---

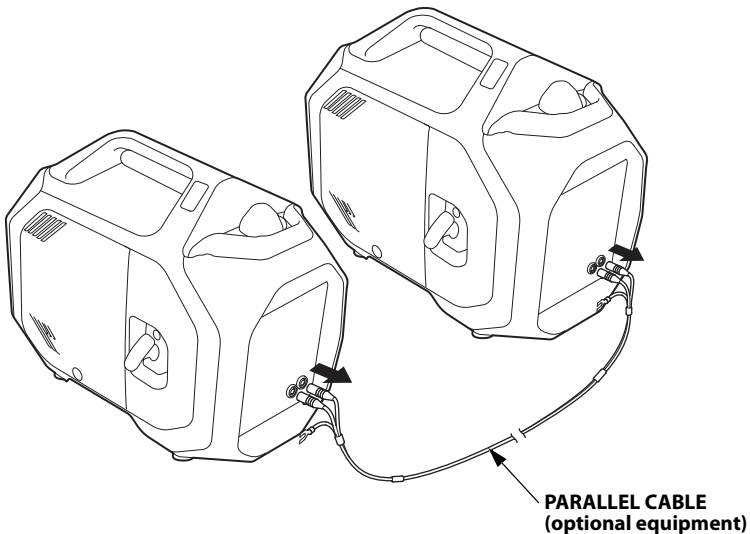
## STOPPING THE ENGINE

To stop the engine in an emergency, simply turn the engine switch to the OFF position securely. Under normal conditions, use the following procedure.

1. Turn off or disconnect all appliances that are connected to the generator.
2. Turn the engine switch to the OFF position securely.



3. If two generators were connected for parallel operation, disconnect the parallel cable after stopping the engines if you do not wish to resume parallel operation.



## STOPPING THE ENGINE with *Bluetooth*® ENABLED SMARTPHONE

The engine can be stopped via a *Bluetooth*® enabled smartphone using a *Bluetooth*® application.

Refer to the *Bluetooth*® application to check the connection, operation, and for help pairing a smartphone.

## HOW TO RESTART WHEN STOPPED BY CO-MINDER® (CO SHUT-OFF SYSTEM)

When the engine is automatically stopped by the CO-MINDER®, move the generator to an area with fresh air and away from any device that may be emitting carbon monoxide, such as another generator. Press the CO-MINDER® reset button and then follow the standard procedure for starting the engine. When the CO ALARM indicator or the FAULT/CO-MINDER® LIFE indicator flashes, press the CO-MINDER® reset button to turn off the indicator.



### NOTICE

- After the engine is stopped by the CO-MINDER® (CO Shut-off System), the engine cannot be restarted for approximately 30 seconds.

# OPERATION

---

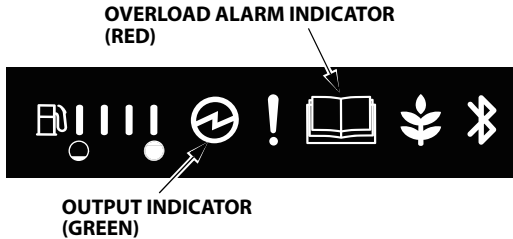
## AC OPERATION

If an appliance begins to operate abnormally, becomes sluggish, or stops suddenly, turn it off immediately. Disconnect the appliance, and determine whether the problem is in the appliance or the rated load capacity of the generator has been exceeded.

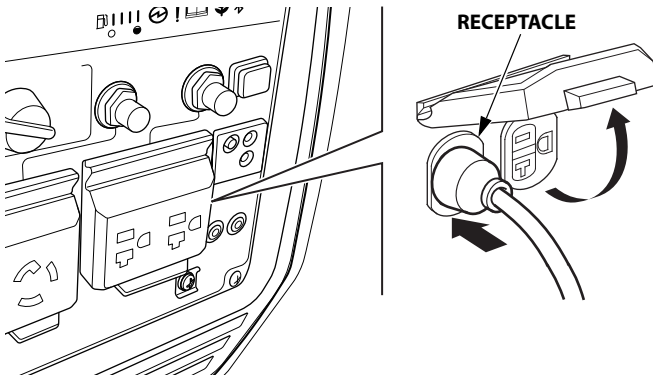
### NOTICE

- *Substantial overloading that continuously lights the overload alarm indicator (red) may damage the generator. Marginal overloading that temporarily lights the overload alarm indicator (red) may shorten the service life of the generator.*
- *Be sure that all appliances are in good working order before connecting them to the generator. Electrical equipment (including lines and plug connections) should not be defective. If an appliance begins to operate abnormally, becomes sluggish, or stops suddenly, turn off the generator engine switch immediately. Then disconnect the appliance, and examine it for signs of malfunction.*

1. Start the engine (see page 38) and make sure the output indicator (green) comes ON.



## 2. Plug in the appliance.



## 3. Turn on the appliance.

If the generator is overloaded (see page 44), or if there is a short circuit in a connected appliance, the overload alarm indicator (red) will go ON. The overload alarm indicator (red) will stay ON, and after about 10 seconds in case of an overload or about 5 seconds in case of a short circuit, current to the connected appliance(s) will shut off, and the output indicator (green) will go OFF. Stop the engine and investigate the problem.

Determine if the cause is a short circuit in a connected appliance or an overload. Correct the problem and restart the generator.

# OPERATION

---

## AC Applications

Before connecting an appliance or power cord to the generator:

- Make sure that it is in good working order. A faulty appliance or power cord can create a potential for electrical shock.
- If an appliance begins to operate abnormally, becomes sluggish, or stops suddenly, turn it off immediately. Disconnect the appliance, and determine whether the problem is the appliance or the rated load capacity of the generator has been exceeded.

Most appliance motors require more than their rated wattage for startup. Make sure the electrical rating of the tool or appliance does not exceed the maximum power rating of the generator.

Maximum power is:

3.2 kVA

For continuous operation, do not exceed the rated power.

Rated power is:

2.6 kVA

In either case, the total power requirements (VA) of all appliances connected must be considered. Appliance and power tool manufacturers usually list rating information near the model number or serial number.

### NOTICE

*Substantial overloading that continuously lights the overload alarm indicator (red) may damage the generator. Marginal overloading that temporarily lights the overload alarm indicator (red) may shorten the service life of the generator.*

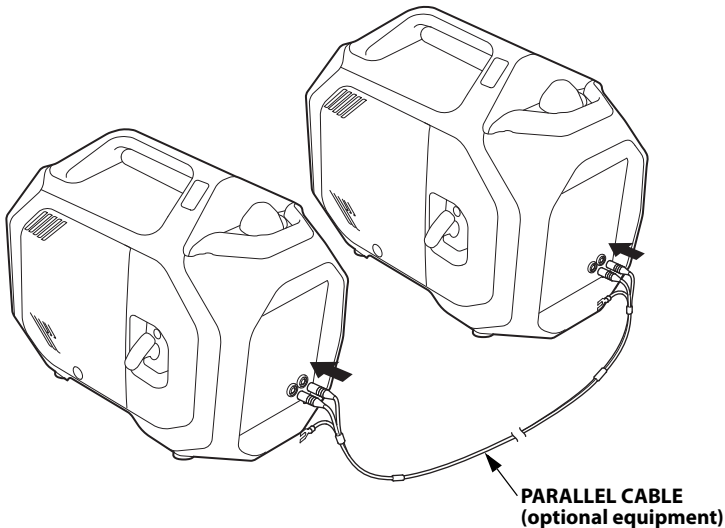
## AC PARALLEL OPERATION

Before connecting an appliance to either generator, make sure that the appliance is in good working order and that its electrical rating does not exceed that of the receptacle.

Most motorized appliances require more than their electrical rating for startup. When an electric motor is started, the overload alarm indicator (red) may come ON. This is normal if the overload alarm indicator (red) goes OFF within 4 seconds. If the Oil Alert/Check indicator (red) blinks continuously, consult an authorized Honda Power Equipment dealer.

During parallel operation, the Eco Throttle switch should be in the same position on both generators.

1. Connect the parallel cable between the two EU3200i generators following the instructions supplied with the cable.



2. Start the engines (see page 38) and make sure the output indicator (green) on each generator comes ON (see page 42).

# OPERATION

---

3. Plug in the appliance following the instruction provided with the parallel cable.
4. Turn on the appliance.

If the generators are overloaded (see page 48), or if there is a short circuit in a connected appliance, the overload alarm indicator (red) will go ON. The overload alarm indicator (red) will stay ON, and after about 10 seconds when an overload or about 5 seconds in case of a short circuit, current to the connected appliance(s) will shut off, and the output indicator (green) will go OFF. Stop both engines and investigate the problem.

Determine if the cause is a short circuit in a connected appliance or an overload. Correct the problem and restart the generator.

## **AC Parallel Operation Applications**

Follow the instructions included with the parallel cable.

Before connecting an appliance or power cord to the generator:

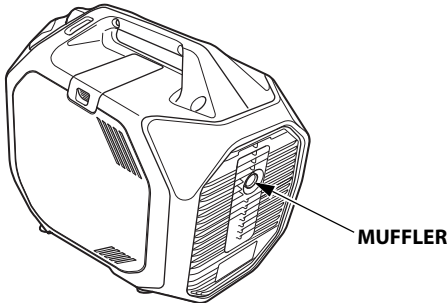
- Make sure that it is in good working order. A faulty appliance or power cord can create a potential for electrical shock.
- If an appliance begins to operate abnormally, becomes sluggish, or stops suddenly, turn it off immediately. Disconnect the appliance, and determine whether the problem is the appliance or the rated load capacity of the generator has been exceeded.
- Never connect different generator models and types.
- Use only a Honda approved parallel cable (optional equipment) when connecting two EU3200i generators for parallel operation.
- Never connect or remove the parallel cable when the generator is running.
- For single generator operation, the parallel cable must be removed.



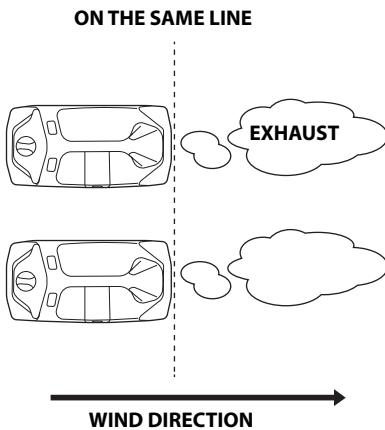
## NOTICE

When operating generators in parallel operation, if one generator emits exhaust toward the other, the CO-MINDER® (CO Shut-off System) of the generator that is receiving the exhaust may stop the engine. Pay attention to the following for placing generators in parallel operation.

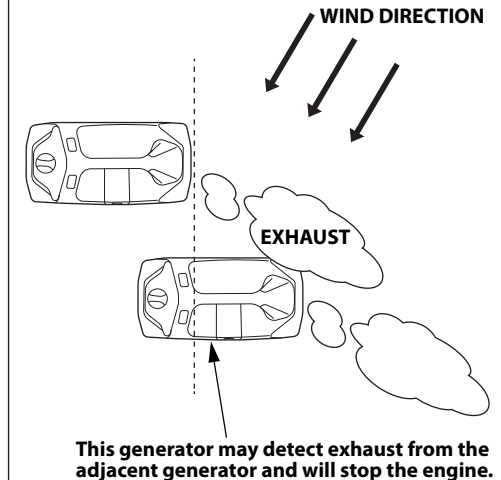
- Align the two generators so that their mufflers are on the same line and exhaust in the same direction.
- Place the generator so that the muffler is pointed in the same direction as the wind is blowing and the exhaust is directed away from buildings, other structures, or vehicles.



## OK



## INCORRECT



## OPERATION

---

Most appliance motors require more than their rated wattage for startup. Make sure the electrical rating of the tool or appliance does not exceed the maximum power rating of the generator.

Maximum power in parallel operation is:

6.4 kVA

For continuous operation, do not exceed the rated power.

Rated power in parallel operation is:

5.2 kVA

In either case, the total power requirements (VA) of all appliances connected must be considered. Appliance and power tool manufacturers usually list rating information near the model number or serial number.

### NOTICE

*Substantial overloading that continuously lights the overload alarm indicator (red) may damage the generator. Marginal overloading that temporarily lights the overload alarm indicator (red) may shorten the service life of the generator.*

## ECO THROTTLE® SYSTEM

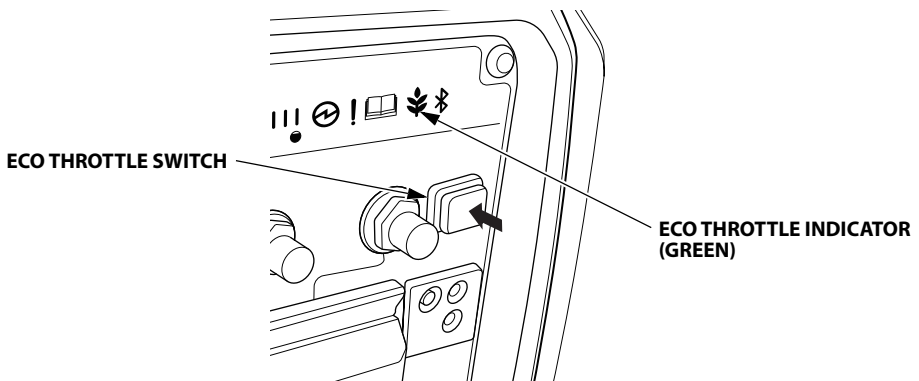
Each time you push the Eco Throttle Switch, the system turns on and off. With the system ON, engine speed is automatically lowered when loads are reduced, turned off, or disconnected. When appliances are turned on or reconnected, the engine returns to the proper speed to power the electrical load. If turned OFF, the Eco Throttle® system does not operate.

Appliances with large start-up power demands may not allow the engine to reach normal operating rpm when they are connected to the generator. Turn the Eco Throttle system OFF and connect the appliance to the generator. If the engine still will not reach normal operating speed, check that the appliance does not exceed the rated load capacity of the generator.

If high electrical loads are connected simultaneously, turn the Eco Throttle system to OFF to reduce voltage changes.

The Eco Throttle system is not effective for use with appliances or tools that require only momentary power. If the tool or appliance will be turned ON and OFF quickly, the Eco Throttle system should be turned OFF.

Eco Throttle system ON	Indicator lights on (green) <ul style="list-style-type: none"><li>• Recommended to minimize fuel consumption and further reduce noise levels when less than a full load is applied to the generator.</li></ul>
Eco Throttle system OFF	Indicator lights off <ul style="list-style-type: none"><li>• The Eco Throttle system does not operate.</li></ul>



# OPERATION

---

## STANDBY POWER

### Connections to a Building's Electrical System

Connections for standby power to a building's electrical system must be made by a qualified electrician. The connection must isolate the generator power from utility power, and must comply with all applicable laws and electrical codes.

#### **WARNING**

Improper connections to a building's electrical system can allow current from the generator to backfeed into the utility lines.

Such backfeed may electrocute utility company workers or others who contact the lines during a power outage, and the generator may explode, burn, or cause fires when utility power is restored.

Consult the utility company or a qualified electrician prior to making any power connections.

In some areas, generators are required by law to be registered with local utility companies. Check local regulations for proper registration and use procedures.

### System Ground

This generator has a system ground that connects the generator frame components to ground terminals in the AC output receptacles. The system ground is not connected to the AC neutral wire.

## Special Requirements

### NOTICE

*Do not lay the generator on its side when moving, storing, or operating it. Oil and fuel may leak and damage the engine or your property.*

There may be Federal or State Occupational Safety and Health Administration (OSHA) regulations, local codes, or ordinances that apply to the intended use of the generator. Please consult a qualified electrician, electrical inspector, or the local agency having jurisdiction.

- In some areas, generators are required to be registered with local utility companies.
- If the generator is used at a construction site, there may be additional regulations that must be observed.

# SERVICING YOUR GENERATOR

## THE IMPORTANCE OF MAINTENANCE

Good maintenance is essential for safe, economical, and trouble-free operation. It will also help reduce air pollution.

To help you properly care for your generator, the following pages include a maintenance schedule, routine inspection procedures, and simple maintenance procedures using basic hand tools. Other service tasks that are more difficult or require special tools are best handled by professionals and are normally performed by a Honda technician or other qualified mechanic.

The maintenance schedule applies to normal operating conditions. If you operate your generator under unusual conditions, such as sustained high-load or high-temperature operation, or use it in dusty conditions, consult your servicing dealer for recommendations applicable to your individual needs and use.

### **WARNING**

Failure to properly maintain this generator, or failing to correct a problem before operation, could result in a significant malfunction.

Some malfunctions can cause serious injuries or death.

Always follow the inspection and maintenance recommendations and schedules in this owner's manual.

Remember that an authorized Honda Power Equipment dealer knows your generator best and is fully equipped to maintain and repair it.

To ensure the best quality and reliability, use only new, Honda Genuine parts or their equivalents for repair and replacement.

**Maintenance, replacement, or repair of the emission control devices and systems may be performed by any engine repair establishment or individual, using parts that are "certified" to EPA standards.**

## MAINTENANCE SAFETY

Some of the most important safety precautions follow. However, we cannot warn you of every conceivable hazard that can arise in performing maintenance. Only you can decide whether or not you should perform a given task.

### **WARNING**

Improper maintenance can cause an unsafe condition.

Failure to properly follow maintenance instructions and precautions can cause serious injuries or death.

Always follow the procedures and precautions in this owner's manual.

### **Safety Precautions**

Read the instructions before you begin, and make sure you have the tools and skills required.

- Make sure the engine is off before you begin any maintenance or repairs. This will eliminate several potential hazards:
  - **Carbon monoxide poisoning from engine exhaust**  
Operate outside away from open windows or doors with engine exhaust directed away from occupied structures.
  - **Burns from hot parts**  
Let the engine and exhaust system cool before touching.
  - **Injury from moving parts**  
Do not run the engine unless instructed to do so.
- To reduce the possibility of fire or explosion, be careful when working around gasoline. Use only a non-flammable solvent, not gasoline, to clean parts. Keep cigarettes, sparks, and flames away from all fuel-related parts.

# SERVICING YOUR GENERATOR

## MAINTENANCE SCHEDULE

Failure to follow this maintenance schedule could result in non-warrantable failures.

REGULAR SERVICE PERIOD (3) Perform at every indicated month or operating hour interval, whichever comes first.		Each use	First month or 20 Hrs.	Every 3 months or 50 Hrs.	Every 6 months or 100 Hrs.	Every year or 300 Hrs.	Page
ITEM							
Engine oil	Check level	o					34
	Change (first time from purchase)		o				55
	Change				o		55
Air cleaner (element)	Check	o					35
	Clean			o (1)			56
	Replace					o	35
Spark plug	Check-adjust				o		57
	Replace					o	57
Spark arrester	Clean				o		59
Timing belt	Check		Every 250 hrs. (2)				—
Valve clearance	Check-adjust					o (2)	—
Combustion chamber	Clean		Every 500 hrs. (2)				—
Fuel tank	Clean		Every 2 years or 1,000 hrs. (2)				—
Fuel pump filter	Replace		Every 2 years or 1,000 hrs. (2)				—
Fuel tube	Check		Every 2 years (Replace if necessary) (2)				—
Canister	Check		Every 2 years (Replace if necessary) (2)				—
Purge tube	Check		Every 2 years (Replace if necessary) (2)				—
Charge tube	Check		Every 2 years (Replace if necessary) (2)				—
Air tube	Check		Every 2 years (Replace if necessary) (2)				—
Drain tube	Check		Every 2 years (Replace if necessary) (2)				—

- (1) Service more frequently when used in dusty areas.
- (2) These items should be serviced by your servicing dealer, unless you have the proper tools and are mechanically proficient. Refer to the Honda shop manual for service procedures.  
See "Honda PUBLICATIONS" on page 77 for ordering information.
- (3) For commercial use, log hours of operation to determine proper maintenance intervals.

This generator is equipped with a catalytic converter. If the engine is not properly maintained, the catalyst in the muffler may lose effectiveness.



## ENGINE OIL CHANGE

Drain the oil while the engine is warm to assure rapid and complete draining.

1. Turn the engine switch to the OFF position (see page 40).
2. Loosen the maintenance cover screw and remove the maintenance cover (see page 34).
3. Place a suitable container next to the engine to catch the used oil.
4. Remove the oil filler cap, and drain the oil into the container by tipping the engine toward the oil filler neck.

### NOTICE

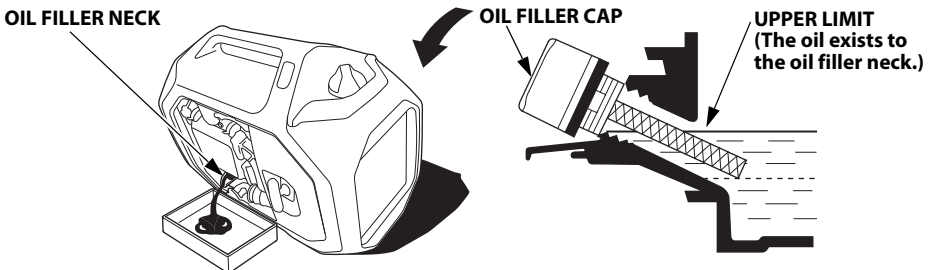
*Improper disposal of engine oil can be harmful to the environment. If you change your own oil, please dispose of the used oil properly. Do not discard it in a trash bin, dump it on the ground, or pour it down the drain.*

5. With the generator in a level position, fill with the recommended oil to the upper limit. Do not overfill.
  - "Upper limit" means the oil exists to the oil filler neck. Refer to "ENGINE OIL RECOMMENDATIONS" in page 14.

**Maximum oil capacity:** 15 oz (0.46 L)

6. Reinstall the oil filler cap securely.
7. Reinstall the maintenance cover and tighten the maintenance cover screw securely.

Wash your hands with soap and water after handling used oil.



# SERVICING YOUR GENERATOR

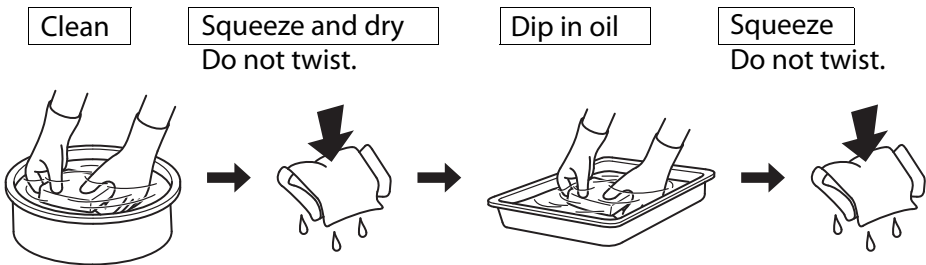
---

## AIR CLEANER SERVICE

### Foam Air Filter Cleaning

A dirty foam air filter will restrict air flow to the fuel system, reducing engine performance. If you operate the generator in very dusty areas, clean the foam air filter more frequently than specified in the Maintenance Schedule.

1. Clean the foam air filter in warm soapy water, rinse, and allow to dry thoroughly, or clean in nonflammable solvent and allow to dry.
2. Dip the foam air filter in clean engine oil, and then squeeze out all excess oil. The engine will smoke when started if too much oil is left in the filter.



3. Wipe dirt from inside of the air cleaner cover using a moist rag. Be careful to prevent dirt from entering the air duct that leads to the fuel system.

## SPARK PLUG SERVICE

In order to service the spark plug, you will need a spark plug wrench (commercially available).

**Recommended spark plug:** CR6HSB (NGK)

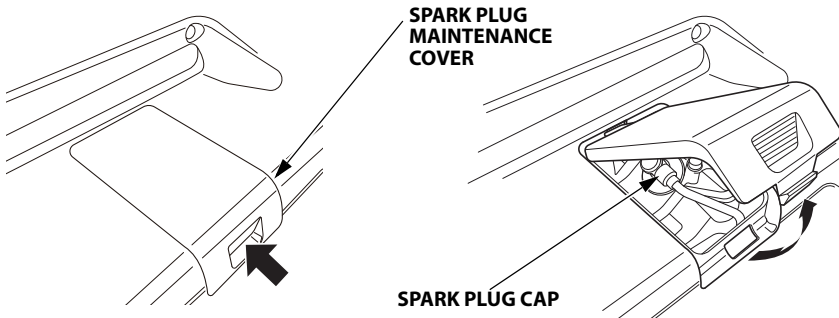
To ensure proper engine operation, the spark plug must be properly gapped and free of deposits.

### NOTICE

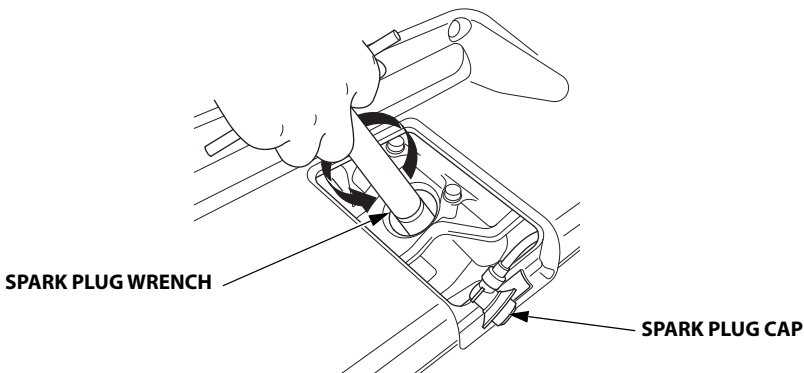
*An incorrect spark plug can cause engine damage.*

If the engine is hot, allow it to cool before servicing the spark plug.

1. Remove the spark plug maintenance cover.

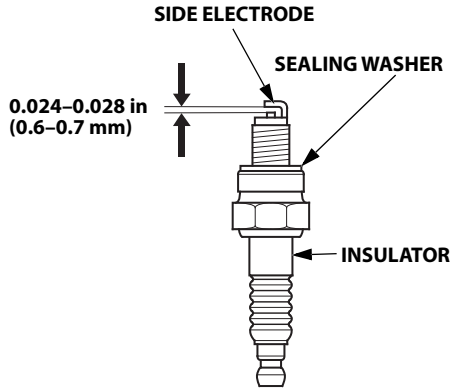


2. Disconnect the spark plug cap, and remove any dirt from around the spark plug area.
3. Remove the spark plug with a spark plug wrench.



# SERVICING YOUR GENERATOR

4. Inspect the spark plug. Replace it if the electrodes are worn or fouled, or if the insulator is cracked or chipped. Clean the spark plug with a wire brush if it is to be reused.
5. Measure the spark plug electrode gap with a wire-type feeler gauge. Correct the gap, if necessary, by carefully bending the side electrode.



## Spark plug gap:

0.024–0.028 in (0.6–0.7 mm)

6. Make sure that the spark plug sealing washer is in good condition, and thread the spark plug in by hand to prevent cross-threading.
7. After the spark plug is seated, tighten with a spark plug wrench to compress the washer.  
If reinstalling a used spark plug, tighten 1/8–1/4 turn after the spark plug is seated.  
If installing a new spark plug, tighten 1/2 turn after the spark plug is seated.

**Torque:** 9 lbf·ft (12 N·m, 1.2 kgf·m)

## NOTICE

*A loose spark plug can overheat and damage the engine.  
Overtightening the spark plug can damage the threads in the cylinder head.*

8. Reinstall the spark plug cap on the spark plug securely.
9. Reinstall the spark plug maintenance cover.

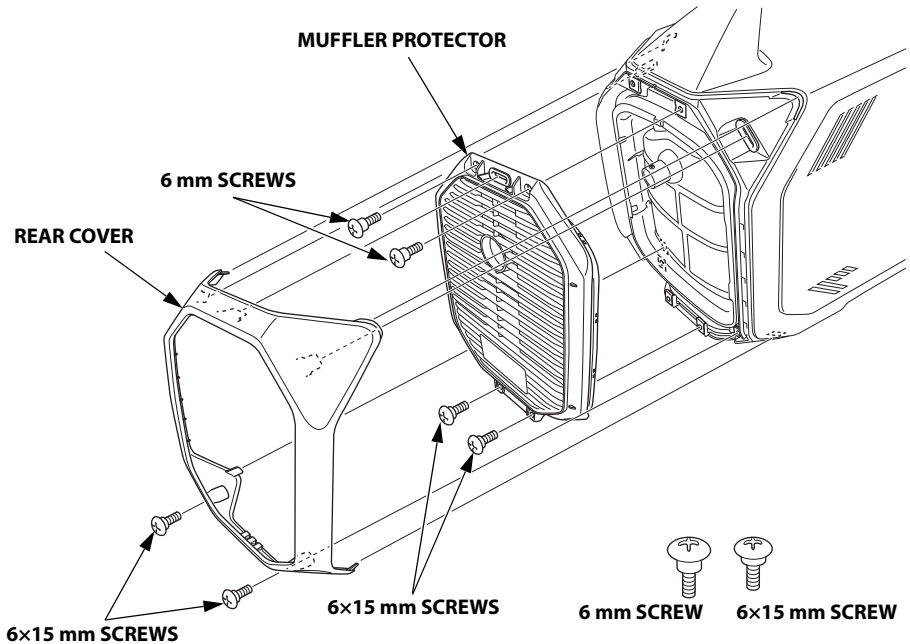
## SPARK ARRESTER SERVICE

The spark arrester must be serviced every 100 hours to keep it functioning as designed.

If the engine has been running, the muffler will be very hot. Allow the muffler to cool before servicing the spark arrester.

Clean the spark arrester as follows:

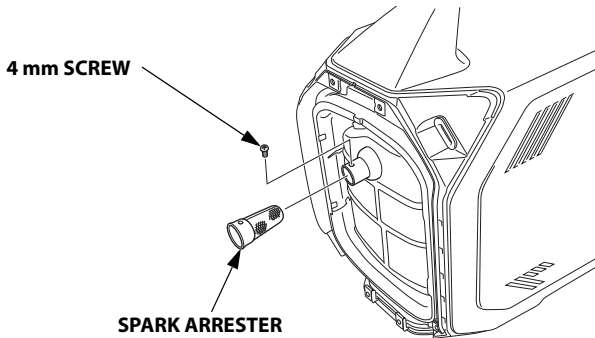
1. Remove the two 6×15 mm screws, and the rear cover.  
Remove the two 6 mm screws, two 6×15 mm screws and the muffler protector.



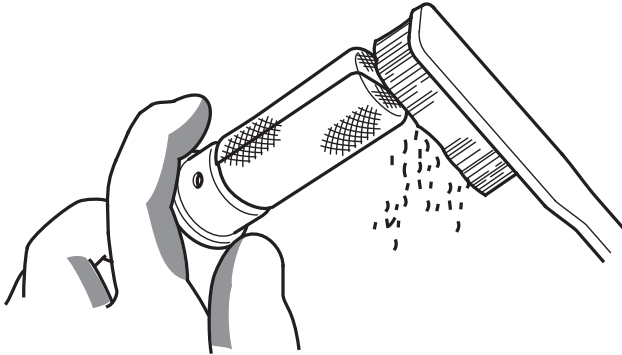
# SERVICING YOUR GENERATOR

---

2. Remove the 4 mm screw, and the spark arrester.



3. Use a brush to remove carbon deposits from the spark arrester screen. Be careful to avoid damaging the screen. The spark arrester must be free of breaks and tears. Replace the spark arrester if it is damaged.



4. Install the spark arrester, the muffler protector, and the rear cover in the reverse order of removal.

# STORAGE

## STORAGE PREPARATION

Proper storage preparation is essential for keeping your generator trouble-free and looking good. The following steps will help to keep rust and corrosion from impairing your generator's function and appearance, and will make the engine easier to start when you use the generator again.

### Cleaning

Wipe the generator with a moist cloth. After the generator has dried, touch up any damaged paint, and coat other areas that may rust with a light film of oil.

### Fuel

#### NOTICE

*Depending on the region where you operate your equipment, fuel formulations may deteriorate and oxidize rapidly. Fuel deterioration and oxidation can occur in as little as 30 days and may cause damage to the fuel system. Please check with your servicing dealer for local storage recommendations.*

Gasoline will oxidize and deteriorate in storage. Old gasoline will cause hard starting, and it leaves gum deposits that clog the fuel system. If the gasoline in your generator deteriorates during storage, you may need to have the fuel system components serviced or replaced.

The length of time that gasoline can be left in your fuel tank without causing functional problems will vary with such factors as gasoline blend, your storage temperatures, and whether the fuel tank is partly or completely filled. The air in a partly filled fuel tank promotes fuel deterioration. Very warm storage temperatures accelerate fuel deterioration. Fuel deterioration problems may occur within a few months, or even less if the gasoline was not fresh when you filled the fuel tank.

The *Distributor's Limited Warranty (U.S.) / Distributor's Warranty (C.A.)* does not cover fuel system damage or engine performance problems resulting from neglected storage preparation.

You can extend fuel storage life by adding a gasoline stabilizer that is formulated for that purpose, or you can avoid fuel deterioration problems by draining the fuel tank.

# STORAGE

---

Service according to the table below:

<b>STORAGE TIME</b>	<b>RECOMMENDED SERVICE PROCEDURE TO PREVENT HARD STARTING</b>
Less than 1 month	No preparation required.
1 month to 1 year	Fill with fresh gasoline and add gasoline stabilizer*.
1 year or more	Fill with fresh gasoline and add gasoline stabilizer*. Remove the spark plug. Put a teaspoon of engine oil into the cylinder. Turn the engine slowly with the pull rope to distribute the oil. Reinstall the spark plug. Change the engine oil (see page 55). After removal from storage, drain the stored gasoline into a suitable container, and fill with fresh gasoline before starting.
*Use gasoline stabilizers that are formulated to extend storage life. Follow the manufacturer's instructions for use. Contact your authorized Honda Power Equipment dealer for stabilizer recommendations.	



## DRAINING THE FUEL TANK

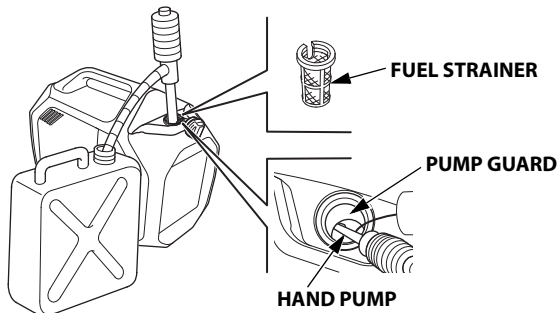
### **⚠ WARNING**

Gasoline is highly flammable and explosive.

You can be burned or seriously injured when handling fuel.

- Stop the engine and let it cool before handling fuel.
- Keep heat, sparks, and flame away.
- Handle fuel only outdoors.
- Keep away from your vehicle.
- Wipe up spills immediately.

Unscrew the fuel filler cap (see page 16), remove the fuel strainer, and empty the fuel tank into an approved gasoline container. We recommend using a commercially available gasoline hand pump to empty the tank. Do not use an electric pump. Siphon the gasoline by inserting the tip of the hand pump into the side of the pump guard, as shown in the figure below. Reinstall the fuel strainer and the fuel filler cap.



# STORAGE

---

## Engine Oil

Change the engine oil (see page 55).

## Engine Cylinder

1. Remove the spark plug (see page 57).
2. Pour a teaspoon (5 cc) of clean engine oil into the cylinder.
3. Pull the starter rope several times to distribute the oil in the cylinder.
4. Reinstall the spark plug (see page 57).
5. Slowly pull the starter grip until resistance is felt. At this point, the piston is coming up on its compression stroke and both the intake and exhaust valves are closed. Storing the engine in this position will help to protect it from internal corrosion. Return the starter grip gently.

## STORAGE PRECAUTIONS

If your generator will be stored with gasoline in the fuel tank, it is important to reduce the hazard of gasoline vapor ignition.

Select a well-ventilated storage area away from any appliance that operates with a flame, such as a furnace, water heater, or clothes dryer.

Also, avoid any area with a spark-producing electric motor, or where power tools are operated.

If possible, avoid storage areas with high humidity, because that promotes rust and corrosion.

Place the generator on a level surface. Tilting or laying it on its side can cause fuel or oil leakage.

With the engine and exhaust system cool, cover the generator to keep out dust. A hot engine and exhaust system can ignite or melt some materials.

Do not use a plastic sheet as a dust cover. A nonporous cover will trap moisture around the generator, promoting rust and corrosion.

## REMOVAL FROM STORAGE

Check your generator as described in the "BEFORE OPERATION" chapter of this manual (see page 32).

If the fuel was drained during storage preparation, fill the fuel tank with fresh gasoline. If you keep a container of gasoline for refueling, be sure that it contains only fresh gasoline. Gasoline oxidizes and deteriorates over time, causing hard starting.

If the cylinder was coated with oil during storage preparation, the engine may smoke briefly at startup. This is normal.

# TRANSPORTING

## ⚠ CAUTION

An engine that has been running will remain very hot for a period of time.

A hot engine and exhaust system can burn you and ignite some material.

If the generator has been used, allow it to cool for at least 15 minutes before loading the generator on the transport vehicle.

Drain the fuel from the fuel tank when transporting by vehicle.

To prevent spillage when transporting, the generator should be secured upright in its normal operating position.

To transport by hand, lift the generator using the handle grip on top of the generator and using the undergrip for support.

## NOTICE

*Do not lay the generator on its side when moving, storing, or operating it. Oil or fuel may leak and damage the engine or your property.*

Do not operate the generator while it is being transported or while it is mounted to any type of vehicle, trailer, or boat.

Take care not to drop or strike the generator when transporting. Do not place heavy objects on the generator.

# TAKING CARE OF UNEXPECTED PROBLEMS

## ENGINE SPEED IS UNSTABLE OR WILL NOT START

Possible Cause	Correction
Engine switch is in the OFF position.	Turn engine switch to the ON position (see page 38).
Out of fuel.	Refuel (see page 15).
Bad fuel; generator stored without treating or draining gasoline, or refueled with bad gasoline.	Drain fuel tank (see page 63). Refuel with fresh gasoline (see page 15).
Low engine oil level caused Oil Alert to stop engine.	Turn the engine switch to the OFF position. Add engine oil. Then turn the engine switch to the ON position and restart the engine.
Spark plug faulty, fouled, or improperly gapped.	Gap or replace spark plug (see page 57).
Spark plug wet with fuel (flooded engine).	Dry and reinstall spark plug.
Fuel filter restricted, fuel system malfunction, fuel pump failure, ignition malfunction, valves stuck, etc.	Take the generator to an authorized Honda Power Equipment dealer, or refer to the shop manual.
CO-MINDER® (CO Shut-off System) is detecting high carbon monoxide (CO) levels around the generator.	Review the location of the generator, such as by placing it in a well-ventilated outdoor location (see page 22). When the engine is stopped automatically by CO-MINDER®, press the CO-MINDER® reset button to restart the engine (see page 41).

# TAKING CARE OF UNEXPECTED PROBLEMS

---

## ENGINE LACKS POWER

Possible Cause	Correction
Air filter restricted.	Clean or replace air filter (see page 56).
Bad fuel; generator stored without treating or draining gasoline, or refueled with bad gasoline.	Drain fuel tank (see page 63). Refuel with fresh gasoline (see page 15).
Fuel filter restricted, fuel system malfunction, fuel pump failure, ignition malfunction, valves stuck, etc.	Take the generator to an authorized Honda Power Equipment dealer, or refer to the shop manual.

## NO POWER AT THE AC RECEPTACLES

Possible Cause	Correction
Output indicator is OFF, and overload alarm indicator is ON.	Check AC load. Stop and restart the engine.
	Check the cooling air inlet. Stop and restart the engine.
Overload alarm indicator blinks.	After removing the cause of the overload, power generation can be resumed by pressing and holding the Eco Throttle® switch (for more than 3 seconds) (see page 21).
AC circuit protector tripped.	Check AC load and reset circuit protector (see page 24).
Faulty power tool or appliance.	Replace or repair power tool or appliance. Stop and restart the engine.
Faulty generator.	Take the generator to an authorized Honda Power Equipment dealer, or refer to the shop manual.

# TAKING CARE OF UNEXPECTED PROBLEMS

## ENGINE AUTOMATICALLY STOP AND THE CO ALARM INDICATOR FLASHING

Possible Cause	Correction
CO concentration around the generator is high.	Review the location of the generator, and place it in a well-ventilated outdoor location (see page 22). When the engine is stopped automatically by CO-MINDER®, press the CO-MINDER® reset button to restart the engine (see page 41).

## ENGINE AUTOMATICALLY STOP AND THE FAULT/CO SENSOR LIFE INDICATOR FLASHING

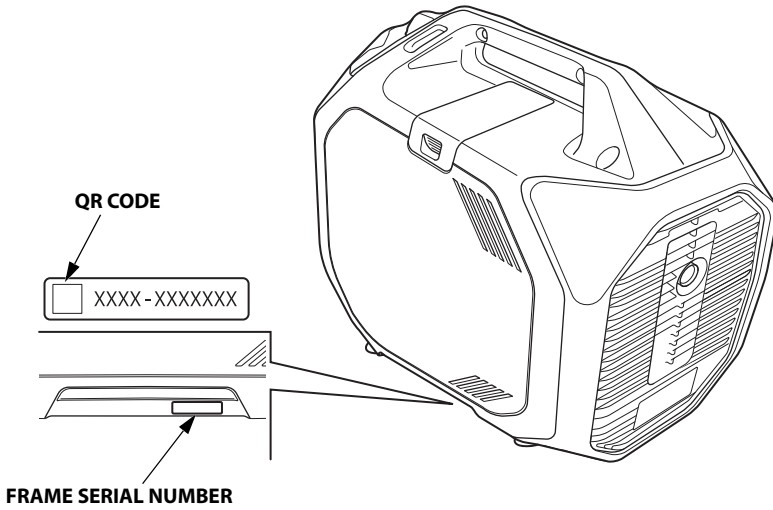
Possible Cause	Correction
CO sensor malfunction.	If the engine cannot be started and the CO ALARM indicator flashes, even if the location of the generator has changed, there may be a CO-MINDER® malfunction. Consult an authorized Honda Power Equipment dealer.
CO sensor may have reached the end of its useful lifespan (see page 23).	Consult an authorized Honda Power Equipment dealer.

## FAULT/CO SENSOR LIFE INDICATOR FLASHING WHEN RUNNING THE ENGINE

Possible Cause	Correction
CO sensor may reach the end of its useful lifespan (see page 23).	Consult an authorized Honda Power Equipment dealer for replacement.

# TECHNICAL INFORMATION

## SERIAL NUMBER LOCATION



Record the frame serial number and date purchased in the spaces below. You will need this information when ordering parts and when making technical or warranty inquiries.

Frame serial number: \_\_\_\_\_

Date purchased: \_\_\_\_\_



## EMISSION CONTROL SYSTEM INFORMATION

### Source of Emissions

The combustion process produces carbon monoxide, oxides of nitrogen, and hydrocarbons. Control of hydrocarbons and oxides of nitrogen is very important because, under certain conditions, they react to form photochemical smog when subjected to sunlight. Carbon monoxide does not react in the same way, but it is toxic.

Honda utilizes appropriate air/fuel ratios and other emissions control systems to reduce the emissions of carbon monoxide, oxides of nitrogen, and hydrocarbons.

Additionally, Honda fuel systems utilize components and control technologies to reduce evaporative emissions.

### The U.S. and California Clean Air Acts, and Environment and Climate Change Canada (ECCC)

U.S. EPA, California and Canadian regulations require all manufacturers to furnish written instructions describing the operation and maintenance of emission control systems.

The following instructions and procedures must be followed in order to keep the emissions from your Honda engine within the emission standards.

### Tampering and Altering

#### NOTICE

*Tampering is a violation of federal and California law.*

Tampering with or altering the emission control system may increase emissions beyond the legal limit. Among those acts that constitute tampering are:

- Removal or alteration of any part of intake, fuel, or exhaust systems.
- Alterations that would cause the engine to operate outside its design parameters.

# TECHNICAL INFORMATION

---

## Problems That May Affect Emissions

If you are aware of any of the following symptoms, have your engine inspected and repaired by your authorized Honda Power Equipment dealer.

- Hard starting or stalling after starting.
- Rough idle.
- Misfiring or backfiring under load.
- Afterburning (backfiring).
- Black exhaust smoke or high fuel consumption.

## Replacement Parts

The emissions control systems on your new Honda engine were designed, built, and certified to conform with EPA, California (models certified for sale in California only), and Canadian emissions regulations. We recommend the use of Honda Genuine parts whenever you have maintenance done. These original design replacement parts are manufactured to the same standards as the original parts, so you can be confident of their performance. Honda cannot deny coverage under the emission warranty solely for the use of non-Honda replacement parts or service performed at a location other than an authorized Honda dealership; you may use comparable parts certified by the EPA, CARB or ECCC, as applicable, and have service performed at non-Honda locations. However, the use of replacement parts that are not of the original design and quality may impair the effectiveness of your emissions control system. A manufacturer of an aftermarket part assumes the responsibility that the part will not adversely affect emissions performance. The manufacturer or rebuilder of the part must certify that use of the part will not result in a failure of the engine to comply with emissions regulations.

## Maintenance

As the power equipment engine owner, you are responsible for completing all required maintenance listed in your owner's manual. Honda recommends that you retain all receipts covering maintenance on your power equipment engine, but Honda cannot deny warranty coverage solely for the lack of receipts or for your failure to ensure that all scheduled maintenance has been completed. Follow the "MAINTENANCE SCHEDULE" on page 54.

Remember that this schedule is based on the assumption that your Honda engine product will be used for its designed purpose. Sustained high-load or high-temperature operation, or use in dusty conditions, will require more frequent service.

## **Air Index (Models certified for sale in California)**

An Air Index Information label is applied to engines certified to an emission durability time period in accordance with the requirements of the California Air Resources Board.

The bar graph is intended to provide you, our customer, the ability to compare the emissions performance of available engines. The lower the Air Index, the less pollution.

The durability description is intended to provide you with information relating to the engine's emission durability period. The descriptive term indicates the useful life period for the engine's emission control system. See your "Emission Control System Warranty" (see page 84) for additional information.

<b>Descriptive Term</b>	<b>Applicable to Emission Durability Period</b>
Moderate	50 hours (0–80 cc, inclusive) 125 hours (greater than 80 cc)
Intermediate	125 hours (0–80 cc, inclusive) 250 hours (greater than 80 cc)
Extended	300 hours (0–80 cc, inclusive) 500 hours (greater than 80 cc) 1,000 hours (225 cc and greater)

# TECHNICAL INFORMATION

## SPECIFICATIONS

### Dimensions

Model	EU3200i
Description code	EBKJ
Length	22.5 in (571 mm)
Width	12.0 in (306 mm)
Height	17.8 in (452 mm)
Dry mass [weight]	59.0 lbs (26.8 kg)

### Engine

Model	GX130
Engine type	4-stroke, overhead camshaft, single cylinder
Displacement [Bore × Stroke]	7.93 cu-in (130 cm <sup>3</sup> ) [2.20 × 2.09 in (56.0 × 53.0 mm)]
Compression ratio	10.0 : 1
Engine speed	4,800 – 5,500 rpm (with Eco Throttle system OFF)
Cooling system	Forced air
Ignition system	Full transistor
Engine oil capacity	15 oz (0.46 L)
Fuel tank capacity	1.21 US gal (4.6 L)
Spark plug	CR6HSB (NGK)

### Generator

Model	EU3200i	
Type	AC, AN	
AC output	Rated voltage	120 V
	Rated frequency	60 Hz
	Rated current	21.7 A
	Rated output	2.6 kVA
	Maximum output	3.2 kVA

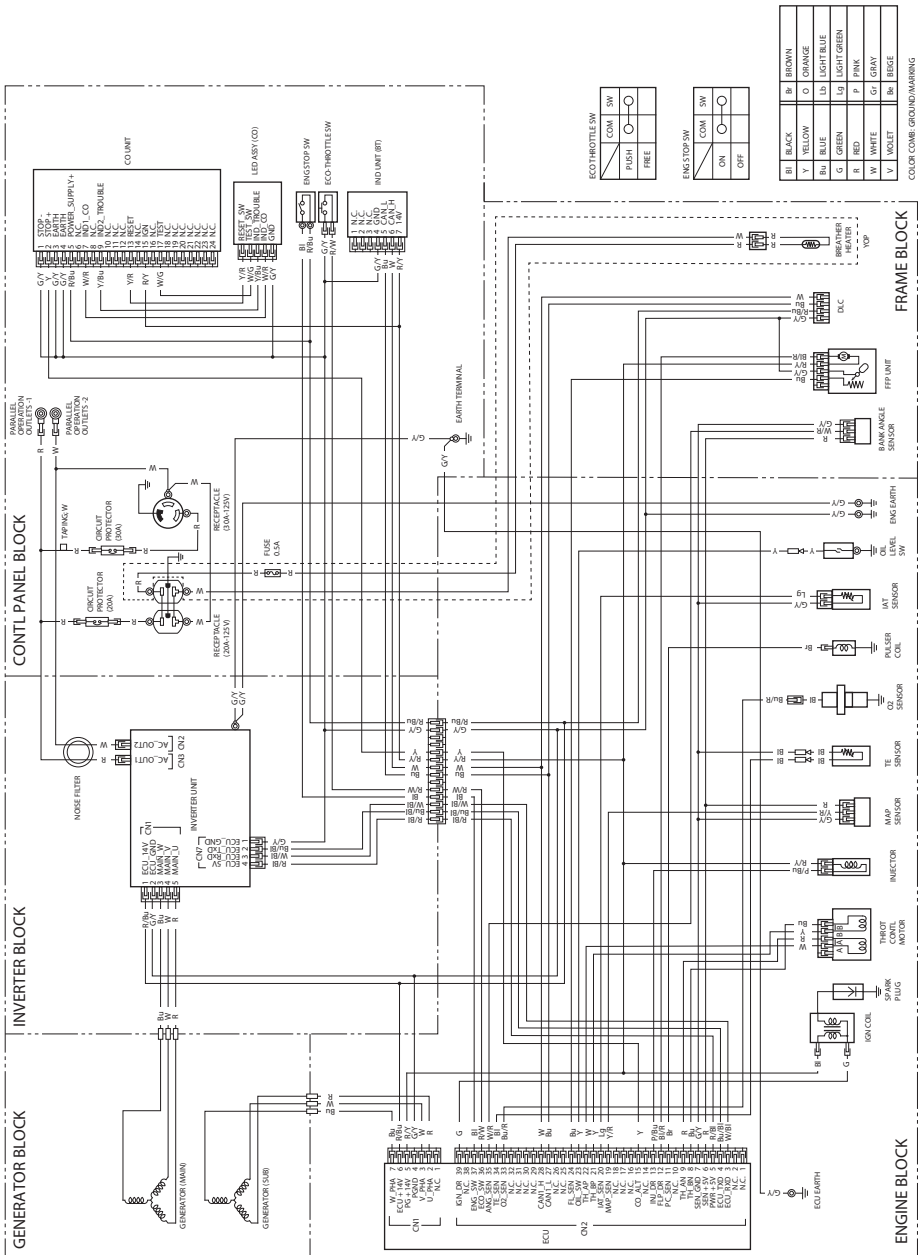
## Tune-up Specifications

ITEM	SPECIFICATION	MAINTENANCE
Spark plug gap	0.024 – 0.028 in (0.6 – 0.7 mm)	Refer to page 57.
Valve clearance (cold)	IN: $0.15 \pm 0.02$ mm EX: $0.15 \pm 0.02$ mm	See your authorized Honda dealer.
Other specifications	No other adjustments needed.	

Specifications are subject to change without notice.

# TECHNICAL INFORMATION

## WIRING DIAGRAM



# CONSUMER INFORMATION

## DEALER LOCATOR INFORMATION

To find an authorized Honda Servicing Dealer anywhere in the United States:  
Visit our website:  
<http://powerequipment.honda.com/dealer-locator>

## Honda PUBLICATIONS

### Shop Manual

This manual covers complete maintenance and overhaul procedures. It is intended to be used by a skilled technician. Available through your Honda dealer or visit <http://powerequipment.honda.com/support/shop-manuals>

### Parts Catalog

This manual provides complete, illustrated parts lists for your generator. Visit [peparts.honda.com](http://peparts.honda.com) for free online access to the parts catalog. It is also available for purchase in paper form through your Honda dealer.

### Accessories Catalog

Your authorized Honda Power Equipment dealer offers a wide selection of accessories (optional equipment) to make your generator even more useful. Visit <http://powerequipment.honda.com/generators/accessories> and click on See all generator accessories and Welders to see the entire catalog of accessories.

# CONSUMER INFORMATION

---

## CUSTOMER SERVICE INFORMATION

Honda Power Equipment dealership personnel are trained professionals. They should be able to answer any question you may have. If you encounter a problem that your dealer does not solve to your satisfaction, please discuss it with the dealership's management.

The Service Manager or General Manager can help. Almost all problems are solved in this way.

If you are dissatisfied with the decision made by the dealership's management, contact the Honda Power Equipment Customer Relations Office. You can write to:

American Honda Motor Co., Inc.  
Power Equipment Division  
Customer Relations Office  
4900 Marconi Drive  
Alpharetta, Georgia 30005-8847

Or telephone: (770) 497-6400  
1-888-888-3139 (toll free)  
M-F 9:00am - 7:30pm ET

To email Honda, visit  
[powerequipment.honda.com/support/contact-us](http://powerequipment.honda.com/support/contact-us)

When you write or call, please give us this information:

- Model and serial numbers (see page 70)
- Name of the dealer who sold the generator to you
- Name and address of the dealer who services your generator
- Date of purchase
- Your name, address, and telephone number
- A detailed description of the problem



## ***Distributor's Limited Warranty***

This warranty is limited to the following Honda products when distributed by American Honda Motor Co., Inc., Power Sports and Products Division, 4900 Marconi Drive, Alpharetta, Georgia 30005. **The following warranty applies to products manufactured on or after April 1, 2023.**

<b>PRODUCTS COVERED BY THIS WARRANTY:</b>	<b>LENGTH OF WARRANTY: (1)</b> (FROM DATE OF ORIGINAL RETAIL PURCHASE)	
	<b>PRIVATE RESIDENTIAL (2)</b>	<b>COMMERCIAL/ RENTAL/INSTITUTIONAL</b>
Generators	36 months	12 months
The Parts, Accessories, and Apparel warranty is on page 82		

- (1) Length of Warranty: Batteries supplied with applicable products as standard, original equipment are covered by this warranty for a period of 12 months (private residential) or 3 months (commercial/rental/institutional use) from the date of original retail product purchase.
- (2) Private residential: Used in maintaining owner's primary and/or secondary residence. Any other use, including but not limited to informal "for hire" use, is considered commercial/rental/institutional use.

### **To Qualify for This Warranty:**

The product must be purchased in the United States, Puerto Rico, or the U.S. Virgin Islands from American Honda or a dealer authorized by American Honda to sell those products. This warranty applies to first retail purchaser and each subsequent owner during the applicable warranty time period, unless noted otherwise.

### **What American Honda Will Repair or Replace Under Warranty:**

American Honda will repair or replace, at its option, any part that is proven to be defective in material or workmanship under normal use during the applicable warranty time period. Warranty repairs and replacements will be made without charge for parts or labor. Anything replaced under warranty becomes the property of American Honda Motor Co., Inc. All parts replaced under warranty will be considered as part of the original product, and any warranty on those parts will expire coincident with the original product warranty.

## CONSUMER INFORMATION

---

### **To Obtain Warranty Service:**

You must, at your expense, take the Honda Power Equipment product, accessory, replacement part, apparel, or the power equipment on which the accessory or replacement part is installed, and proof of purchase to any Honda Power Equipment dealer in the United States, Puerto Rico, or the U.S. Virgin Islands who is authorized to sell and/or service that product, during the dealer's normal business hours. To locate a dealer near you, visit our web site at <http://powerequipment.honda.com> and click on Find a Dealer.

If you are unable to obtain warranty service or are dissatisfied with the warranty service you receive, contact the owner of the dealership involved; normally this will resolve the problem. However, if you should require further assistance, write or call the Power Equipment Customer Relations Department of American Honda Motor Co., Inc. at the following address:

American Honda Motor Co., Inc.  
Power Equipment Customer Relations Dept.  
4900 Marconi Drive  
Alpharetta, GA 30005-8847 Telephone: (770) 497-6400

## **Exclusions:**

1. Any damage or deterioration resulting from the following:
  - Neglect of the periodic maintenance as specified in the product owner’s manual
  - Improper repair or maintenance
  - Operating methods other than those indicated in the product owner’s manual
  - Increasing engine speed beyond factory specification
  - The use of non-genuine Honda parts, accessories, lubricants, and fluids other than those approved by Honda
  - Exposure of the product to soot and smoke, chemical agents, bird droppings, sea water, salt, or other corrosive environments
  - Collision, fuel contamination or deterioration, neglect, unauthorized alteration, misuse, incorporation or use of unsuitable attachments or parts
  - Normal wear and tear (including, but not limited to, normal fading of painted or plated surfaces, sheet peeling, and other natural deterioration)
2. Consumable parts: Honda does not warrant parts deterioration due to normal wear and tear. The following parts are not covered by this warranty unless they are needed during another repair covered under this warranty: spark plug, fuel filter, air cleaner element, clutch disc, tire, wheel bearing, recoil starter rope, cable, belt, cutter blade, oil, and grease.
3. Cleaning, adjustment, and normal periodic maintenance work (carburetor cleaning, engine oil draining, blade sharpening, belt and cable adjustments).
4. Any product that has ever been declared a total loss or sold for salvage by a financial institution or insurer.
5. Auger and paddle assemblies, skid shoes, and scraper bars of snow throwers/snow blowers, tiller tines of roto-tillers, and mower blades and mower deck housings are specifically not warranted against impact damage including, but not limited to, abrasive damage.

## **Disclaimer of Consequential Damage and Limitation of Implied Warranties:**

American Honda disclaims any responsibility for loss of time or use of the product, transportation, commercial loss, or any other incidental or consequential damage. Any implied warranties are limited to the duration of this written limited warranty. Some states do not allow limitations on how long an implied warranty lasts and/or do not allow the exclusion or limitation of incidental or consequential damages, therefore the above exclusions and limitations may not apply to you. This warranty gives you specific legal rights, and you may also have other rights, which vary from state to state.

# CONSUMER INFORMATION

---

## Honda Parts, Accessories, and Apparel

This warranty is limited to Honda Power Equipment parts, accessories, and apparel when distributed by American Honda Motor Co., Inc., 4900 Marconi Drive, Alpharetta, Georgia 30005-8847.

PRODUCTS COVERED BY WARRANTY:	LENGTH OF WARRANTY: (FROM DATE OF ORIGINAL RETAIL PURCHASE)	
	PRIVATE RESIDENTIAL	COMMERCIAL/ RENTAL/INSTITUTIONAL
Parts	6 months	3 months
Batteries	6 months	3 months
Accessories	12 months	3 months
Apparel	6 months	3 months

### To Qualify for This Warranty:

1. The parts, accessories, or apparel must be purchased from American Honda or a dealer authorized by American Honda to sell those products in the United States, Puerto Rico, and the U.S. Virgin Islands. Parts and accessories must be purchased for installation on original Honda equipment or engines to be eligible for warranty coverage. Installing parts and accessories on non-Honda products or engines voids this warranty.
2. You must be the first retail purchaser. This warranty is not transferable to subsequent owners.

### What American Honda Will Repair or Replace Under Warranty:

American Honda will repair or replace, at its option, any Honda Power Equipment parts, accessories, or apparel that are proven to be defective in material or workmanship under normal use during the applicable warranty time period. Anything replaced under warranty becomes the property of American Honda Motor Co., Inc. The warranty on all parts, accessories, and apparel replaced under warranty will expire coincident with the original warranty on the replaced parts, accessories, or apparel.

Parts and accessories installed by a dealer who is authorized by American Honda to sell them will be repaired or replaced under warranty without charge for parts or labor. If installed by anyone else, parts and accessories will be repaired or replaced under warranty without charge for parts, but any labor charges will be the responsibility of the purchaser.

Apparel will be repaired or replaced under warranty without any charge.

### **To Obtain Warranty Service:**

You must, at your expense, take the Honda Power Equipment part, accessory, or apparel, or the Honda Power Equipment on which the accessory or part is installed, and proof of purchase to any Honda Power Equipment dealer in the United States, Puerto Rico, or the U.S. Virgin Islands who is authorized to sell that product, during the dealer's normal business hours.

To locate a dealer near you, go to our web site at <http://PowerEquipment.Honda.com> and click on Find a Dealer.

If you are unable to obtain warranty service or are dissatisfied with the warranty service you receive, contact the owner of the dealership involved; normally this will resolve the problem. However, if you should require further assistance, write or call the Power Equipment Customer Relations Department of American Honda Motor Co., Inc. Refer to page 80 for contact information.

### **Exclusions:**

This warranty does not extend to parts, accessories, or apparel affected or damaged by collision, normal wear, use in an application for which the product was not designed, or any other misuse, neglect, incorporation or use of unsuitable attachments or parts, unauthorized alteration, improper installation, or any causes other than defects in material or workmanship of the product. Installing parts and accessories on non-Honda products or engines voids this warranty.

### **Disclaimer of Consequential Damage and Limitation of Implied Warranties:**

American Honda disclaims any responsibility for loss of time or use of the product, or the power equipment on which the product is installed, transportation, commercial loss, or any other incidental or consequential damage. Any implied warranties are limited to the duration of this written warranty. Some states do not allow limitations on how long an implied warranty lasts and/or do not allow the exclusion or limitation of incidental or consequential damages, so the above exclusions and limitations may not apply to you.

This warranty gives you specific legal rights, and you may also have other rights, which vary from state to state.

# CONSUMER INFORMATION

---

## ***Emission Control System Warranty***

Your new Honda Power Equipment engine complies with the U.S. EPA, Environment Canada, and State of California (models certified for sale in California only) emission regulations. American Honda Motor Co., Inc. provides the emission warranty coverage for engines in the United States and its territories. Honda Canada Inc. provides the emission warranty for engines in the 13 provinces and territories of Canada. In the remainder of this Emission Control System Warranty, American Honda Motor Co., Inc. and Honda Canada Inc. will be referred to as Honda.

### **CALIFORNIA EXHAUST AND EVAPORATIVE EMISSIONS CONTROL WARRANTY STATEMENT YOUR WARRANTY RIGHTS AND OBLIGATIONS**

The California Air Resources Board and Honda are pleased to explain the exhaust and evaporative emissions (“emissions”) control system warranty on your 2023 and later Honda Power Equipment engine. In California, new equipment that use small off-road engines must be designed, built, and equipped to meet the State's stringent anti-smog standards. Honda must warrant the emissions control system on your power equipment engine for the periods of time listed below provided there has been no abuse, neglect, or improper maintenance of your small off-road engine or equipment leading to the failure of the emissions control system.

Your emissions control system may include parts such as the carburetor or fuel-injection system, the ignition system, catalytic converter, fuel tanks, fuel lines (for liquid fuel and fuel vapors), fuel caps, valves, canisters, filters, clamps and other associated components. Also included may be hoses, belts, connectors, and other emission-related assemblies (see page 88 for additional covered parts).

Where a warrantable condition exists, Honda will repair your power equipment engine at no cost to you including diagnosis, parts and labor.

### **MANUFACTURER'S WARRANTY COVERAGE:**

The exhaust and evaporative emissions control system on your Honda power equipment engine is warranted for two years. If any emissions-related part on your Honda power equipment engine is defective, the part will be repaired or replaced by Honda.

## OWNER'S WARRANTY RESPONSIBILITY:

- As the power equipment engine owner, you are responsible for the performance of the required maintenance listed in your owner's manual. Honda recommends that you retain all receipts covering maintenance on your power equipment engine, but Honda cannot deny warranty coverage solely for the lack of receipts or for your failure to ensure the performance of all scheduled maintenance.
- As the power equipment engine owner, you should however be aware that Honda may deny you warranty coverage if your power equipment engine or a part has failed due to abuse, neglect, improper maintenance, or unapproved modifications.
- You are responsible for presenting your power equipment engine to a Honda Power Equipment servicing dealer as soon as the problem exists. The warranty repairs shall be completed in a reasonable amount of time, not to exceed 30 days.

If you have any questions regarding your warranty rights and responsibilities, you should contact the Honda office in your region:

American Honda Motor Co., Inc.  
Power Equipment Customer  
Relations  
4900 Marconi Drive  
Alpharetta, Georgia 30005-8847  
Telephone: (888) 888-3139  
Email: [powerequipmentemissions@ahm.honda.com](mailto:powerequipmentemissions@ahm.honda.com)

Honda Canada Inc.  
Power Equipment Customer  
Relations  
180 Honda Blvd.  
Markham, ON, L6C 0H9  
Telephone: (888) 946-6329

or

# CONSUMER INFORMATION

---

## YOUR WARRANTY RIGHTS AND OBLIGATIONS

### **Other States, U.S. territories, and Canada:**

In other areas of the United States and in Canada, your engine must be designed, built, and equipped to meet the U.S. EPA and Environment Canada emission standards for spark-ignited engines at or below 19 kilowatts.

Specific Honda products that do not meet the California emissions regulations can be identified by a "California: Not for sale or use" or "California: Only for use in Farming or Construction Equipment" decal.

### **All of the United States and Canada:**

The exhaust and evaporative emissions control system on your Honda power equipment engine sold in the United States and Canada is warranted for two years from the date of delivery to the ultimate purchaser or the length of the Honda Distributor's Limited Warranty, whichever is longer. This warranty is transferable to each subsequent purchaser for the duration of the warranty period.

If any emissions-related part on your Honda power equipment engine is defective, the part will be repaired or replaced by Honda. All defective parts replaced under this warranty become the property of Honda. Only Honda approved replacement parts may be used in the performance of any warranty repairs and must be provided without charge to the owner. A list of warranted parts is on the reverse side of this warranty statement. All emission related parts are under warranty for the remainder of the warranty period. Normal maintenance items, such as spark plugs and filters, that are on the warranted parts list are warranted up to their required replacement interval only.

Honda will also replace other engine components damaged by a failure of any warranted part during the warranty period. Honda cannot deny coverage under the emission warranty solely for use of non-Honda replacement parts or service performed at a location other than an authorized Honda dealership; however, use of a part that is not functionally identical to the original equipment part in any respect that may in any way affect emissions (including durability) could result in denial of coverage. If such a non-Honda replacement part is used in the repair or maintenance of your engine, and an authorized Honda dealer determines it is defective or causes a failure of a warranted part, your claim for repair of your engine may be denied. If the part in question is not related to the reason your engine requires repair, your claim will not be denied.



## TO OBTAIN WARRANTY SERVICE:

You must, at your own expense, take your Honda Power Equipment engine or the product on which it is installed, along with your sales registration card or other proof of original purchase date, to any Honda Power Equipment dealer who is authorized by Honda to sell and service that Honda product during their normal business hours. Claims for repair or adjustment found to be caused solely by defects in material or workmanship will not be denied because the engine was not properly maintained and used.

If you are unable to obtain emission warranty service or are dissatisfied with the warranty service you received, contact the owner of the dealership involved. Normally this should resolve your problem. However, if you require further assistance, contact the Honda office in your region:

American Honda Motor Co., Inc.  
Power Equipment Customer  
Relations  
4900 Marconi Drive  
Alpharetta, Georgia 30005-8847  
Telephone: (888) 888-3139  
Email: [powerequipmentemissions@ahm.honda.com](mailto:powerequipmentemissions@ahm.honda.com)

Honda Canada Inc.  
Power Equipment Customer  
Relations  
180 Honda Blvd.  
Markham, ON, L6C 0H9  
Telephone: (888) 946-6329

or

## EXCLUSIONS:

Failures other than those resulting from defects in material or workmanship are not covered by this warranty. This warranty does not extend to emission control systems or parts that are affected or damaged by owner abuse, neglect, improper maintenance, or unapproved modifications.

This warranty does not cover replacement of expendable maintenance items made in connection with required maintenance service after the item's first scheduled replacement as listed in the maintenance section of the product owner's manual, such as: spark plugs and filters.

# CONSUMER INFORMATION

---

## DISCLAIMER OF CONSEQUENTIAL DAMAGE AND LIMITATION OF IMPLIED WARRANTIES:

American Honda Motor Co., Inc. and Honda Canada Inc. disclaim any responsibility for incidental or consequential damages such as loss of time or the use of the power equipment, or any commercial loss due to the failure of the equipment; and any implied warranties are limited to the duration of this written warranty. This warranty is applicable only where the California, U.S. EPA, or Environment Canada emission control system warranty regulation is in effect.

## EMISSION CONTROL SYSTEM WARRANTY PARTS:

<b>SYSTEMS COVERED BY THIS WARRANTY:</b>	<b>PARTS DESCRIPTION:</b>
Fuel Metering	Carburetor assembly (includes starting enrichment system), Oxygen sensor, Throttle body, Engine temperature sensor, Engine control module, Fuel injector, Fuel regulator, Intake manifold
Evaporative	Fuel tank, Fuel cap, Fuel lines (for liquid and fuel vapors), Carbon canister, Canister mounting brackets, Fuel line fittings, Fuel strainer, Fuel valve, Fuel pump, Fuel hose joint, Canister purge port connector
Exhaust	Catalyst, Exhaust pipe, Muffler (with catalyst), Exhaust manifold
Air Induction	Air cleaner case, Air cleaner element*
Ignition	Flywheel comp., Flywheel magneto, Ignition pulse generator, Crankshaft position sensor, Power coil, Ignition coil assembly, Ignition control module, Spark plug cap, Spark plug*
Crankcase Emission Control	Crankcase breather tube, Breather valve assembly, Oil filler cap
Miscellaneous Parts	Tubing, fittings, seals, gaskets, and clamps associated with these listed systems.

\* Covered up to the first required replacement only.  
See the "MAINTENANCE SCHEDULE" on page 54.

## REGISTRATION

### **Please Register Your Generator**

If your dealer did not collect registration information from you, please take a few minutes and register your purchase with Honda. This allows us to contact you with any important updates regarding your generator. Please note registration is not required to obtain warranty service. You can register your generator by visiting the Honda Power Equipment website, <http://powerequipment.honda.com/reg>. Your information will remain confidential. It will not be released to any other company or organization.

# REFERENCE INFORMATION

“QR Code” is registered trademark of DENSO WAVE INCORPORATED.



The *Bluetooth* word mark and logos are registered trademarks owned by Bluetooth SIG, Inc., and any use of such marks by Honda Motor Co., Ltd., is under license. Other trademarks and trade names are those of their respective owners.

## Information notice of Bluetooth unit

### Unique Identifier

HRM5119

### FCC ID

VIYHRM1062

### FCC Compliance Statement

This device complies with part 15 of the FCC Rules. Operation is subject to the following two conditions: (1) this device may not cause harmful interference, and (2) this device must accept any interference received, including interference that may cause undesired operation.

### Note:

Changes or modifications not expressly approved by the party responsible for compliance could void the user's authority to operate the equipment. This equipment has been tested and found to comply with the limits for a Class B digital device, pursuant to Part 15 of the FCC Rules. These limits are designed to provide reasonable protection against harmful interference in a residential installation. This equipment generates, uses and can radiate radio frequency energy and, if not installed and used in accordance with the instructions, may cause harmful interference to radio communications. However, there is no guarantee that interference will not occur in a particular installation. If this equipment does cause harmful interference to radio or television reception, which can be determined by turning the equipment off and on, the user is encouraged to try to correct the interference by one or more of the following measures:

- Reorient or relocate the receiving antenna.
- Increase the separation between the equipment and receiver.

## REFERENCE INFORMATION

---

- Connect the equipment into an outlet on a circuit different from that to which the receiver is connected.
- Consult the dealer or an experienced radio/TV technician for help.

This transmitter must not be co-located or operated in conjunction with any other antenna or transmitter.

# INDEX

<b>A</b>	
AC Appliance and Power Cord.....	33
AC Applications .....	44
AC Circuit Protector .....	24
AC OPERATION .....	42
AC Parallel Operation Applications .....	46
AC PARALLEL OPERATION .....	45
AIR CLEANER SERVICE .....	56
AIR FILTER CHECK .....	35
Air Index.....	73
ARE YOU READY TO GET STARTED? .....	32
<b>B</b>	
BEFORE OPERATION .....	32
<i>Bluetooth</i> ® Function .....	29
<b>C</b>	
Carbon Monoxide Hazards.....	7
Check the Engine .....	33
Cleaning .....	61
CO-MINDER® (CO Shut-off System) .....	22
COMPONENT & CONTROL LOCATIONS .....	18
Connections to a Building's Electrical System.....	50
CONSUMER INFORMATION .....	77
CONTENTS .....	3
CONTROLS & FEATURES .....	18
CONTROLS.....	20
CUSTOMER SERVICE INFORMATION .....	78
<b>D</b>	
DEALER LOCATOR INFORMATION .....	77
Distributor's Limited Warranty.....	79
<b>E</b>	
Eco Throttle® Switch.....	21
ECO THROTTLE® SYSTEM .....	49
Electric Shock Hazards .....	8
EMISSION CONTROL SYSTEM INFORMATION.....	71
Emission Control System Warranty .....	84
ENGINE AUTOMATICALLY STOP AND THE CO ALARM INDICATOR FLASHING .....	69

ENGINE AUTOMATICALLY STOP AND THE FAULT/ CO SENSOR LIFE INDICATOR FLASHING .....	69
Engine Cylinder .....	64
ENGINE LACKS POWER.....	68
ENGINE OIL CHANGE .....	55
ENGINE OIL LEVEL CHECK.....	34
ENGINE OIL RECOMMENDATIONS.....	14
ENGINE OIL .....	13
Engine Oil .....	64
ENGINE SPEED IS UNSTABLE OR WILL NOT START .....	67
Engine Switch.....	20
<b>F</b>	
FAULT/CO SENSOR LIFE INDICATOR FLASHING WHEN RUNNING THE ENGINE.....	69
FEATURES .....	25
Fire and Burn Hazards .....	9
Foam Air Filter Cleaning.....	56
Fuel Level Indicator.....	25
FUEL RECOMMENDATIONS.....	17
FUEL.....	15
Fuel .....	61
<b>G</b>	
GENERATOR SAFETY .....	6
Grip and Undergrip.....	31
Ground Terminal.....	25
<b>H</b>	
Honda PUBLICATIONS.....	77
HOW TO RESTART WHEN STOPPED BY CO-MINDER® (CO SHUT-OFF SYSTEM).....	41
<b>I</b>	
IMPORTANT SAFETY INFORMATION .....	6
INDEX .....	92
Information notice of Bluetooth unit .....	90
INITIAL USE INSTRUCTIONS.....	13
INTRODUCTION .....	1
IS YOUR GENERATOR READY TO GO? .....	32

# INDEX

---

<b>K</b>	
Knowledge .....	32
<b>L</b>	
LED Light Patterns .....	28
<b>M</b>	
MAINTENANCE SAFETY .....	53
MAINTENANCE SCHEDULE .....	54
<b>N</b>	
NO POWER AT THE AC RECEPTACLES .....	68
<b>O</b>	
Oil Alert <sup>®</sup> /Check Indicator .....	27
OPERATION .....	38
Operator Responsibility .....	6
Overload Alarm Indicator .....	27
Output Indicator .....	26
<b>P</b>	
Parallel Operation Outlets .....	24
Please Register Your Generator .....	89
<b>Q</b>	
QUICK REFERENCE INFORMATION .....	97
<b>R</b>	
REFERENCE INFORMATION .....	90
Refuel With Care .....	9
REGISTRATION .....	89
REMOVAL FROM STORAGE .....	65
<b>S</b>	
SAFE OPERATING PRECAUTIONS .....	37
SAFETY LABEL LOCATIONS .....	11
Safety Precautions .....	53
SERIAL NUMBER LOCATION .....	70
SERVICING YOUR GENERATOR .....	52
Smartphone application .....	29
SPARK ARRESTER SERVICE .....	59



---

SPARK PLUG SERVICE .....	57
Special Requirements.....	51
SPECIFICATIONS .....	74
STANDBY POWER.....	50
Starter Grip .....	20
STARTING THE ENGINE .....	38
STOPPING THE ENGINE with <i>Bluetooth</i> ® ENABLED SMARTPHONE .....	41
STOPPING THE ENGINE .....	40
STORAGE PRECAUTIONS .....	65
STORAGE PREPARATION .....	61
STORAGE.....	61
System Ground .....	50
<b>T</b>	
TAKING CARE OF UNEXPECTED PROBLEMS.....	67
TECHNICAL INFORMATION .....	70
THE IMPORTANCE OF MAINTENANCE.....	52
TRANSPORTING .....	66
<b>V</b>	
Vehicles and Transportation Hazards.....	10
<b>W</b>	
WIRING DIAGRAM .....	76

## MEMO

# QUICK REFERENCE INFORMATION

Fuel	Type	Regular unleaded gasoline with an ethanol content of no more than 10% and a pump octane rating of 86 or higher (see page 17)
Engine Oil	Type	SAE 10W-30, API SJ or later (or equivalent), for general use (see page 14) Maximum oil capacity: 15 oz (0.46 L)
Spark Plug	Type	NGK: CR6HSB
	Electrode Gap	0.024–0.028 in (0.6–0.7 mm)
Maintenance	Before each use	Check engine oil level. Check air cleaner (element).
	First 20 hours	Change engine oil.
	Subsequent	See "MAINTENANCE SCHEDULE" (see page 54)

# HONDA

EU3200i  
31Z45603  
00X31-Z45-6030



00X31Z45 6030



Printed in Japan