

# TRIMMERS

---

Barrier Kits . . . . .	3-2
Blades . . . . .	3-2
Debris Shield . . . . .	3-2
Grass Blade Kit . . . . .	3-2
Trimmer Heads . . . . .	3-3
Honda Kwik Loader Head Kit . . . . .	3-3
Universal Kwik Loader Heads . . . . .	3-3
Proulx Manual Trimmer Head . . . . .	3-3
Proulx Semi-Matic Trimmer Head . . . . .	3-3
Proulx Semi-Pro Trimmer Head . . . . .	3-4
Proulx Pro-Tap Trimmer Head . . . . .	3-4
Trimmer Line . . . . .	3-5

# TRIMMERS

## Barrier Kits

A barrier kit must be installed when using a metal blade (except models UMK431UNBA, HHT31SUNBA, and HHT35SUKAT). A barrier kit includes two shields, one for 3 or 4 tooth blades and one for saw (22~80) tooth blades. Kit also includes harness, barrier, and all hardware.

Model	Part No.	Description
HHT25, HHT31, HHT35	06631-VH8-740	for 9 or 10 inch blades
UMK431	06631-VF9-D10	for 9 or 10 inch blades

## Blades

Metal blades, 1-inch arbor.

Model	Part No.	Description
HHT31, HHT35, UMK431	72511-VF9-B02	3 tooth, 10" grass/weed blade
	72511-VF9-B00AH	4 tooth, 10" grass/weed blade
	72511-VF9-D61	50 tooth, 10" weed/brush blade
	72511-VF9-F00AH	80 tooth brush/wood blade
HHT25, UMK422	72511-VF9-A02	3 tooth, 9" grass/weed blade
	72511-VF9-E32	4 tooth, 9" grass/weed blade
	72511-VF9-E00AH	22 tooth, 9" weed/brush blade
UMC425, UMC435 with Trimmer Attachment (SSST)	72511-VF9-E32	4 tooth, 9" grass/weed blade

## Debris Shield

Use this debris shield when using a 3 or 4 tooth grass cutting blade. This shield is included in the barrier kits shown above.

HHT35SUKAT	76247-VF9-E31
------------	---------------

## Grass Blade Kit

Use this solid steel, 9 inch, 4-tooth blade for heavy weeds, overgrown grass, and vines. This kit requires removal of the string trimmer head from the trimmer attachment (SSST). This kit includes a steel blade, blade guard, transportation guards, installation hardware, and instruction manual. Replacement blades are available.

Note: Saw tooth blades cannot be used with this kit/attachment.

UMC425, UMC435 with Trimmer Attachment (SSST)	06631-VP8-C10
Replacement Blade (4 tooth, 9 inch)	72511-VF9-E32



## Trimmer Heads

### Honda Kwik Loader Head Kit

This 2-line Kwik Loader head kit is designed specifically to fit Honda HHT25S and HHT35S trimmers. This kit is included with the HHT35SUKAT model, and is an optional accessory for the HHT25SLTAT and the HHT35SLTAT models.

Kwik Loader Head Kit	06725-VL3-D60
----------------------	---------------

Replacement 1.5 mm washer (P/N 90501-VL3-D60)

For the UMC425/435 with Trimmer Attachment (SSST), order blade holder B, P/N 72621-VF9-003, to allow the Kwik Loader Head Kit to be installed.



### Universal Kwik Loader Heads

Nylon cutter collar, 76217-VL3-D60, must be used when installing universal fit 2-line or 3-line Kwik Loader head on Honda trimmers.

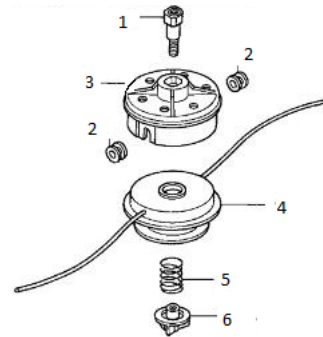
2-line head	72570-VF9-650AH
3-line head	72580-VF9-730AH
Replacement 1.5 mm washer (P/N 90501-VL3-D60)	

For the UMC425/435 with Trimmer Attachment (SSST), order blade holder B, P/N 72621-VF9-003, and Nylon Collar, P/N 76217-VL3-D60, to allow the Kwik Loader Head Kit to be installed.



### Proulx Manual Trimmer Head

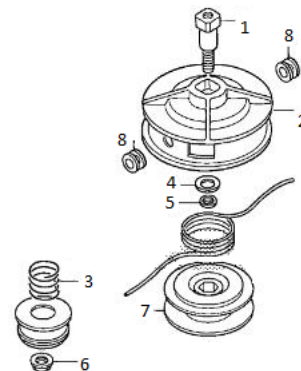
72560-VF9-C12			
No.	Qty.	Name	Part Number
1	1	Drive bolt	72561-VF9-C11
2	2	Eyelet	72562-VF9-C11
3	1	Housing	72566-VF9-C12
4	1	Spool	72563-VF9-C11
5	1	Tension spring	72564-VF9-C11
6	1	Tension knob	72565-VF9-C11



### Proulx Semi-Matic Trimmer Head

Standard equipment on HHT25SLTA models.

72560-VH8-642AH			
No.	Qty.	Name	Part Number
1	1	Drive bolt	72561-VH8-641
2	1	Housing	72562-VF9-C30AH
3	1	Spring	72564-VF9-C41
4	1	Washer	72564-VF9-C30AH
5	1	Outer drive	72565-VF9-C30AH
6	1	Inner cam	72566-VF9-C30AH
7	1	Spool only	72567-VF9-C30AH
8	1	Eyelet	72560-VH8-642AH

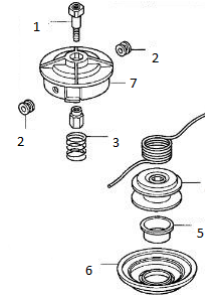


# TRIMMERS

## Trimmer Heads (cont.)

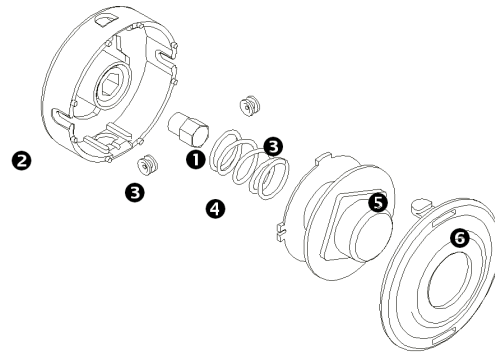
### Proulx Semi-Pro Trimmer Head

72560-VF9-C41			
No.	Qty.	Name	Part Number
1	1	Drive bolt	72561-VF9-C11
2	1	Eyelet	72562-VF9-C11
3	1	Spring	72564-VF9-C41
4	1	Spool only	72563-VF9-C41
5	1	Button	72565-VF9-C41
6	1	Cover	72566-VF9-C41
7	1	Housing	72562-VF9-C41



### Proulx Pro-Tap Trimmer Head

72560-VF9-C33AH			
No.	Qty.	Name	Part Number
1	1	Drive bolt	72561-VF9-C33AH
2	1	Housing	72562-VF9-C33AH
3	2	Eyelet	72562-VF9-C11
4	1	Spring	72563-VF9-C33AH
5	1	Spool only	72564-VF9-C33AH
6	1	Cover	not available



# TRIMMERS

## Trimmer Line

### Kwik Loader Pre-Cut KwikBlade Ultra

Size (in.)	Length	Color	Part Number	Packaging
.095	8"	Green	72581-VF9-09548	50 pack
.105	8"	Orange	72581-VF9-10548	50 pack
.130	8"	Red	72581-VF9-13048	30 pack

### Premium Trimmer Line

Size (in.)	Weight	Length	Color	Part Number	Packaging
.080	8 oz.	200	Bright Orange	72511-080-0200A	Card
.080	8 oz.	200	Grass Green	72511-080-0200B	Card
.080	3 lb.	1200	Bright Orange	72521-080-1200A	Spool
.080	3 lb.	1200	Grass Green	72521-080-1200B	Spool
.095	1 lb.	285	Bright Orange	72511-095-0285A	Doughnut
.095	1 lb.	285	Clear - Quiet	72512-095-0285Q	Doughnut
.095	3 lb.	855	Grass Green	72521-095-0855B	Spool
.095	3 lb.	855	Clear - Quiet	72512-095-0855Q	Spool
.095	5 lb.	1425	Bright Orange	72521-095-1425A	Large Spool
.105	1 lb.	235	Bright Orange	72511-105-0235A	Doughnut
.105	1 lb.	235	Grass Green	72511-105-0235B	Doughnut
.105	3 lb.	705	Bright Orange	72521-105-0705A	Spool
.105	3 lb.	705	Grass Green	72521-105-0705B	Spool
.130	1 lb.	150	Bright Orange	72511-130-0150A	Doughnut
.130	1 lb.	150	Grass Green	72511-130-0150B	Doughnut
.130	3 lb.	450	Bright Orange	72521-130-0450A	Spool
.130	3 lb.	450	Grass Green	72521-130-0450B	Spool
.130	5 lb.	750	Bright Orange	72521-130-0750A	Spool
.130	5 lb.	750	Grass Green	72521-130-0750B	Spool
.155	3 lb.	321	Bright Orange	72521-155-0321A	Spool
.155	3 lb.	321	Grass Green	72521-155-0321B	Spool
.155	5 lb.	535	Bright Orange	72521-155-0535A	Spool
.155	5 lb.	535	Grass Green	72521-155-0535B	Spool

Note: Premium Trimmer Line sizes .130 and .155 are in limited supply and will be discontinued once current inventory is depleted.

# TRIMMERS

---

THIS PAGE INTENTIONALLY LEFT BLANK.