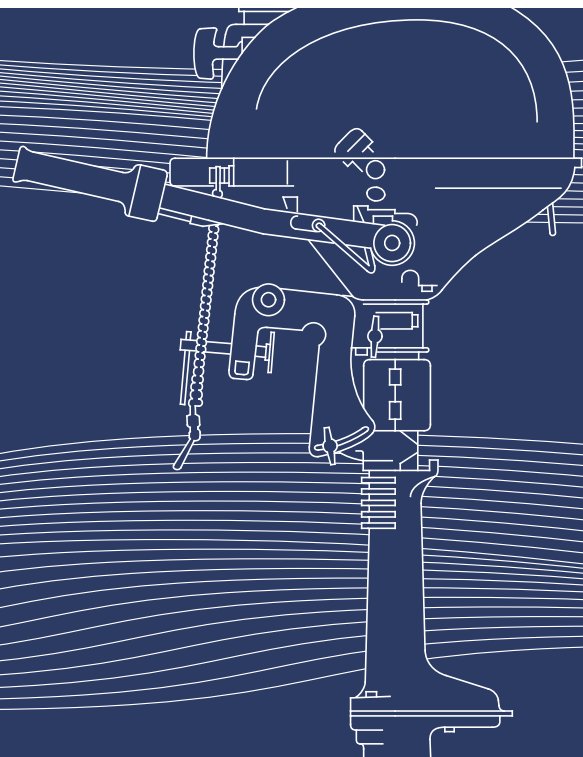




Owner's Manual BF2.3DH

Includes US and Canadian Models

© 2024 Honda Motor Co., Ltd. - All Rights Reserved





WARNING:



The engine exhaust from this product contains chemicals known to the State of California to cause cancer, birth defects or other reproductive harm.

Keep this Owner's Manual handy, so you can refer to it at any time. This Owner's Manual is considered a permanent part of the outboard motor and should remain with the outboard motor if resold.

The information and specifications included in this publication were in effect at the time of approval for printing. Honda Motor Co., Ltd. reserves the right, however, to discontinue or change specifications or design at any time without notice and without incurring any obligation whatsoever. No part of this publication may be reproduced without written permission.

INTRODUCTION

Congratulations on your selection of a Honda outboard motor. We are certain you will be pleased with your purchase of one of the finest outboard motors on the market.

We want to help you get the best results from your new outboard motor and to operate it safely. This manual contains information on how to do that; please read it carefully.

As you read this manual you will find information preceded by a **NOTICE** symbol. That information is intended to help you avoid damage to your outboard motor, other property, or the environment.

We suggest you read the warranty policy to fully understand its coverage and your responsibilities of ownership.

When your outboard motor needs scheduled maintenance, keep in mind that your Honda Marine dealer is specially trained in servicing Honda outboard motors. Your Honda Marine dealer is dedicated to your satisfaction and will be pleased to answer your questions and concerns.

INTRODUCTION


A FEW WORDS ABOUT SAFETY

Your safety and the safety of others are very important. And using this outboard motor safely is an important responsibility.

To help you make informed decisions about safety, we have provided operating procedures and other information on labels and in this manual. This information alerts you to potential hazards that could hurt you or others.

Of course, it is not practical or possible to warn you about all the hazards associated with operating or maintaining an outboard motor. You must use your own good judgment.

You will find important safety information in a variety of forms, including:

- **Safety Labels** – on the outboard motor.
- **Safety Messages** – preceded by a safety alert symbol  and one of three signal words, DANGER, WARNING, or CAUTION.

These signal words mean:

 **DANGER**

You **WILL** be **KILLED** or **SERIOUSLY HURT** if you don't follow instructions.

 **WARNING**

You **CAN** be **KILLED** or **SERIOUSLY HURT** if you don't follow instructions.

 **CAUTION**

You **CAN** be **HURT** if you don't follow instructions.

- **Safety Headings** – such as *IMPORTANT SAFETY INFORMATION*.
- **Safety Section** – such as *OUTBOARD MOTOR SAFETY*.
- **Instructions** – how to use this outboard motor correctly and safely.

This entire book is filled with important safety information – please read it carefully.

CONTENTS

OUTBOARD MOTOR SAFETY	6	OTHER FEATURES	17
IMPORTANT SAFETY INFORMATION	6	Centrifugal Clutch	17
SAFETY LABEL LOCATIONS	8	Oil Level Inspection Window	18
CONTROLS AND FEATURES	11	Anode	18
CONTROL AND FEATURE IDENTIFICATION		INSTALLATION	19
CODES	11	POWER REQUIREMENTS	19
COMPONENT AND CONTROL LOCATIONS ...	12	INSTALLATION POSITION	19
CONTROLS	13	ATTACHMENT	20
Emergency Stop Switch Clip and Emergency		TRANSOM ANGLE ADJUSTMENT	21
Stop Switch	13	BEFORE OPERATION	22
Choke Knob	13	ARE YOU READY TO GET UNDERWAY?	22
Throttle Grip	14	IS YOUR OUTBOARD MOTOR	
Throttle Grip Friction Knob	14	READY TO GO?	22
Fuel Valve Lever	14		
Starter Grip	15		
Engine Cover Retaining Strap	15		
Transom Angle Adjusting Bolt	15		
Tilt Lever	16		
Steering Friction Bolt	16		
Clamp Screws	17		
Fuel Filler Cap Vent Knob	17		

CONTENTS

OPERATION	24	SERVICING YOUR OUTBOARD MOTOR	37
SAFE OPERATING PRECAUTIONS	24	THE IMPORTANCE OF MAINTENANCE	37
BREAK-IN PROCEDURE	24	MAINTENANCE SAFETY	38
TRANSOM ANGLE ADJUSTMENT	24	TOOL KIT AND EMERGENCY STARTER	
INFREQUENT OR OCCASIONAL USE	25	ROPE	39
STARTING THE ENGINE	25	MAINTENANCE SCHEDULE	40
EMERGENCY STARTING	28	ENGINE COVER REMOVAL AND	
STOPPING THE ENGINE	30	INSTALLATION	42
Emergency Engine Stopping	30	Engine Oil Level Check	42
Normal Engine Stopping	30	Engine Oil Change	44
THROTTLE OPERATION	31	Engine Oil Recommendations	45
REVERSING THE OUTBOARD MOTOR	32	Gear Case Oil Change	46
STEERING	33	Lubrication Points	47
CRUISING	34	Spark Plug Service	48
MOORING, BEACHING, LAUNCHING	35	REFUELING	50
		FUEL RECOMMENDATIONS	51
		Recoil Starter Rope Inspection	52
		Anode Replacement	52
		Propeller Replacement	53

CONTENTS

STORAGE	54	TECHNICAL INFORMATION	64
STORAGE PREPARATION	54	Serial Number Locations	64
Cleaning	54	Carburetor Modification for High Altitude	
Fuel	54	Operation	65
Adding a Fuel Stabilizer	55	Emission Control System Information	66
Draining the Fuel Tank and Carburetor	56	Star Label	68
Engine Oil	56	Specifications	70
STORAGE PRECAUTIONS	56		
REMOVAL FROM STORAGE	57	CONSUMER INFORMATION	71
		Dealer Locator Information	71
TRANSPORTING	58	Honda Publications	71
WITH OUTBOARD MOTOR INSTALLED		Customer Service Information	72
ON BOAT	58	Warranty Statements	74
WITH OUTBOARD MOTOR REMOVED		Distributor's Limited Warranty	74
FROM BOAT	58	Emission Control System Warranty	79
		Distributor's Warranty	84
TAKING CARE OF UNEXPECTED PROBLEMS	59	INDEX	87
ENGINE WILL NOT START	59		
HARD STARTING OR STALLS AFTER			
STARTING	60		
ENGINE WILL NOT DRIVE THE PROPELLER ..	61		
SUBMERGED OUTBOARD MOTOR	62		

OUTBOARD MOTOR SAFETY

IMPORTANT SAFETY INFORMATION

The Honda BF2.3D outboard motor is designed for use with boats that have a suitable manufacturer's power recommendation. Other uses can result in injury to the operator or damage to the outboard motor and other property.

Most injuries or property damage can be prevented if you follow all instructions in this manual and on the outboard motor. The most common hazards are discussed in this chapter, along with the best way to protect yourself and others.

Operator Responsibility

- It is the operator's responsibility to provide the necessary safeguards to protect people and property. Know how to stop the engine quickly in case of emergency. Understand the use of all controls.
- Stop the engine immediately if anyone falls overboard, and do not run the engine while the boat is near anyone in the water.
- Always stop the engine if you must leave the controls for any reason.
- Attach the emergency stop switch lanyard securely to the operator.
- Always wear a PFD (Personal Flotation Device) while on the boat.
- Familiarize yourself with all laws and regulations relating to boating and the use of outboard motors.
- Be sure that anyone who operates the outboard motor receives proper instruction.
- Be sure the outboard motor is properly mounted on the boat.
- Do not remove the engine cover while the engine is running.

Refuel With Care

- Gasoline is extremely flammable, and gasoline vapor can explode. Refuel outdoors, in a well-ventilated area, with the engine stopped. Never smoke near gasoline, and keep other flames and sparks away.
- Refuel carefully to avoid spilling fuel. Avoid overfilling the fuel tank.
- After refueling, tighten the filler cap securely. If any fuel is spilled, make sure the area is dry before starting the engine.

Carbon Monoxide Hazard

Exhaust contains poisonous carbon monoxide, a colorless, odorless gas. Breathing carbon monoxide can cause loss of consciousness and may lead to death.

If you run the engine in an area that is confined, or even partly enclosed, the air you breathe could contain a dangerous amount of exhaust gas.

Never run your outboard inside a garage or other enclosure.

WARNING

Running the engine of your outboard while in an enclosed or partially enclosed area can cause a rapid build-up of toxic carbon monoxide gas.

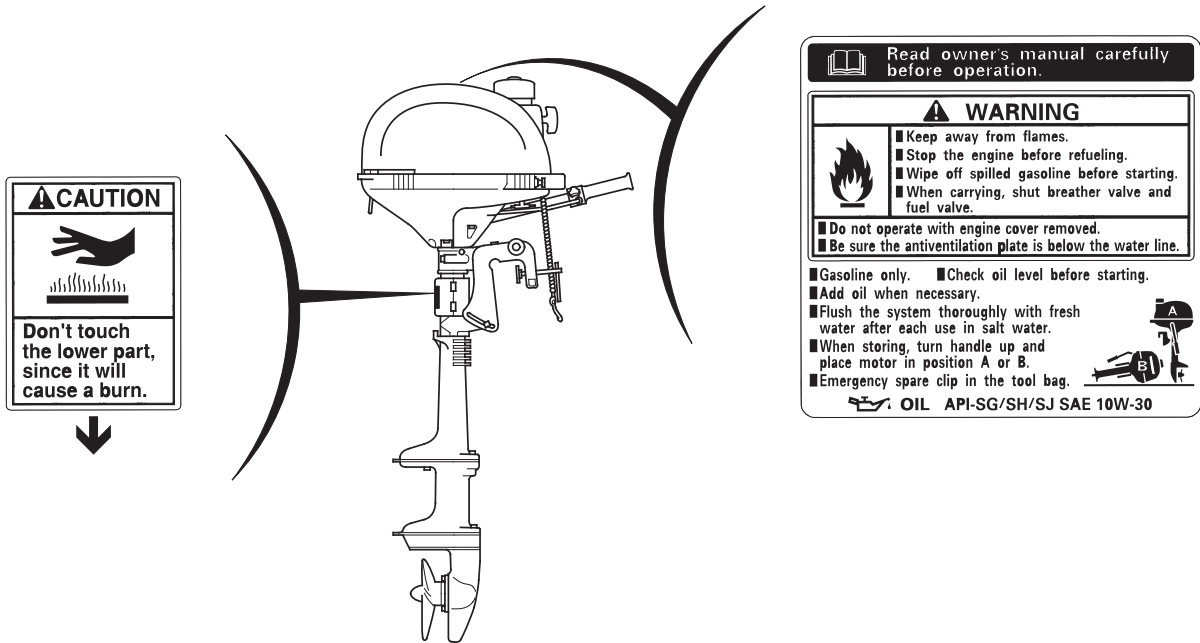
Breathing this colorless, odorless gas can quickly cause unconsciousness and lead to death.

Only run your outboard engine when it is located in a well ventilated area outdoors.

OUTBOARD MOTOR SAFETY

SAFETY LABEL LOCATIONS

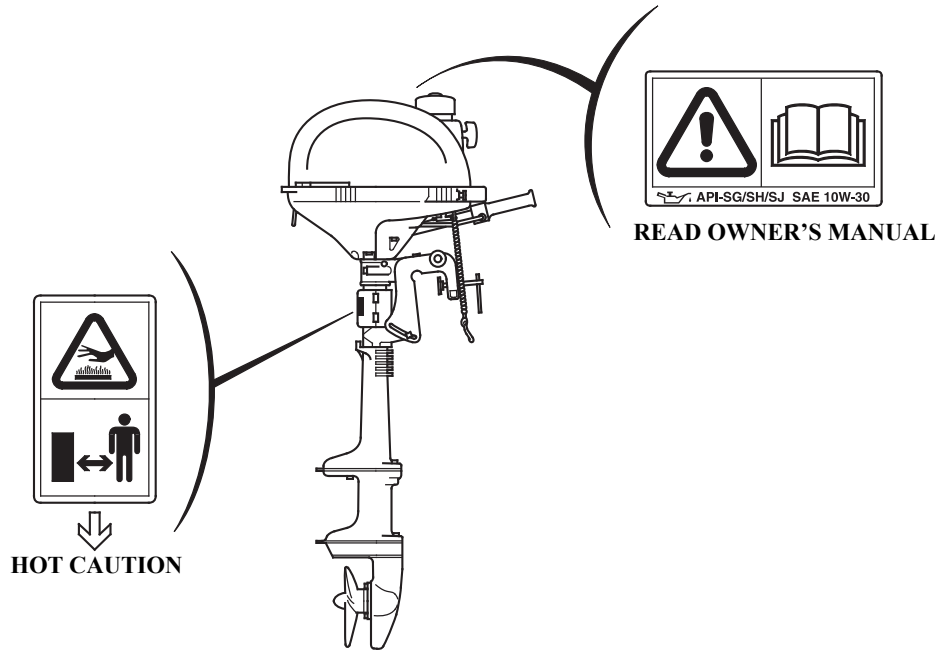
US, Puerto Rico, and US Virgin Islands Types



The labels shown here contain important safety information. Please read them carefully. These labels are considered permanent parts of your outboard motor. If a label comes off or becomes hard to read, contact an authorized Marine dealer for a replacement.

OUTBOARD MOTOR SAFETY

Canadian Types



The labels shown here contain important safety information. Please read them carefully. These labels are considered permanent parts of your outboard motor. If a label comes off or becomes hard to read, contact an authorized Marine dealer for a replacement.

OUTBOARD MOTOR SAFETY

Canadian Types



- **Honda outboard motor is designed to give safe and dependable service if operated according to instructions. Read and understand the Owner's Manual before operating the outboard motor. Failure to do so could result in personal injury or equipment damage.**



- **The engine system will be heated during operation and remain hot immediately after stopping the engine.**

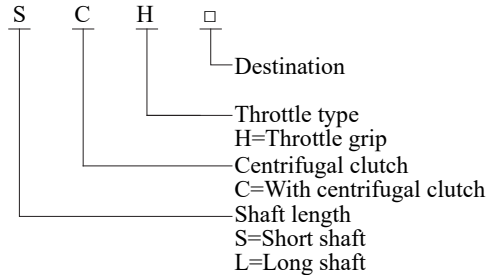
CONTROLS AND FEATURES

CONTROL AND FEATURE IDENTIFICATION CODES

Model	BF2.3D	
Type	SCH□	LCH□
Shaft Length	S	•
	L	•
Throttle Grip	•	•
Centrifugal Clutch	•	•

Refer to this chart for an explanation of the Type Codes used in this manual to identify control and feature applications. For the detailed equipment conditions of optional components, consult your Honda dealer.

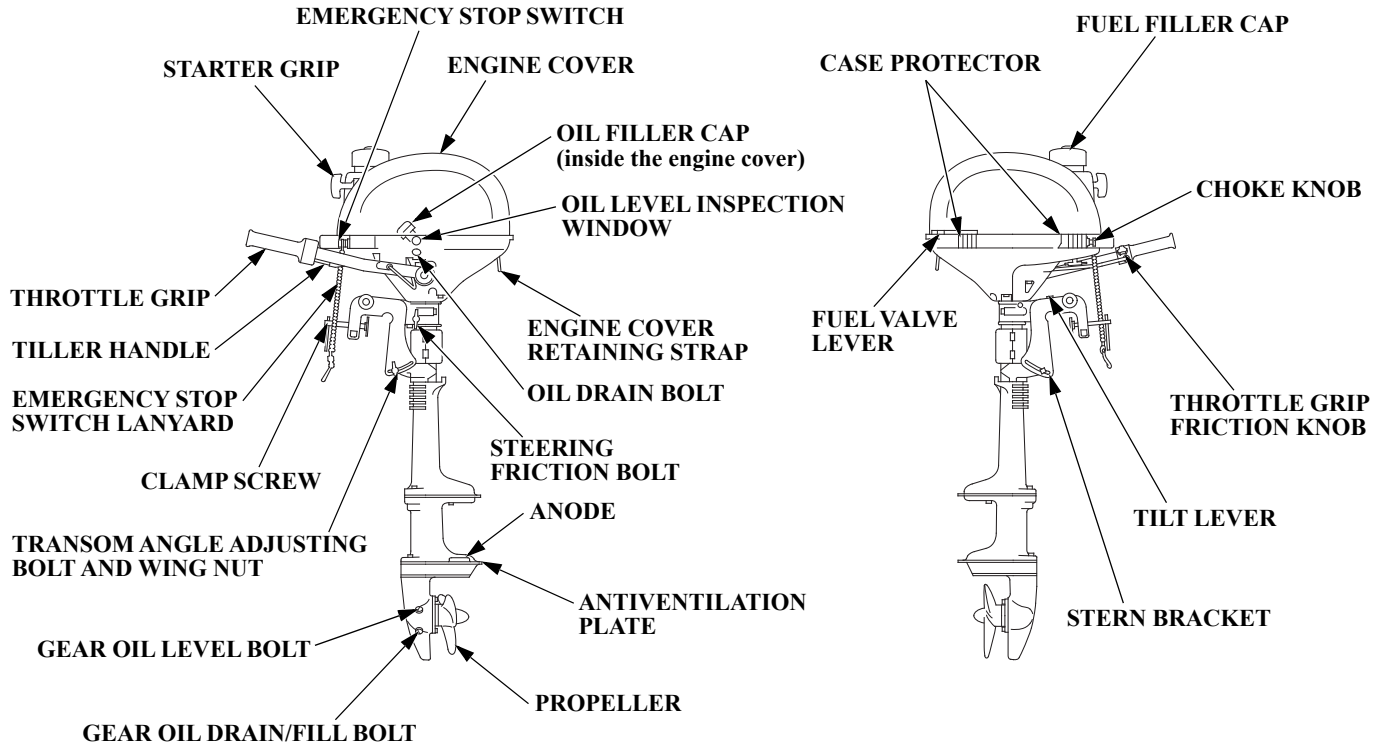
TYPE CODE (example)



CONTROLS AND FEATURES

COMPONENT AND CONTROL LOCATIONS

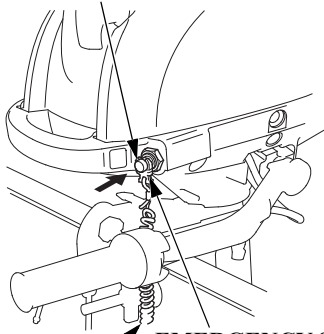
[LCH type is shown]



CONTROLS

Emergency Stop Switch Clip and Emergency Stop Switch

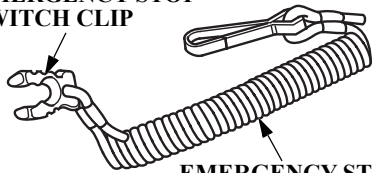
EMERGENCY STOP SWITCH



EMERGENCY STOP SWITCH CLIP

EMERGENCY STOP SWITCH LANYARD

EMERGENCY STOP SWITCH CLIP



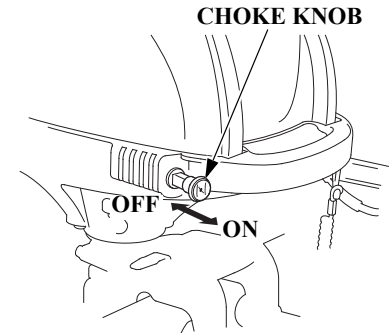
EMERGENCY STOP SWITCH LANYARD

The emergency stop switch clip must be inserted in the emergency stop switch in order for the engine to start and run. The emergency stop switch lanyard must be attached securely to the operator or to the operator's PFD (Personal Flotation Device).

When used as described, the emergency stop switch and emergency stop switch lanyard system stops the engine if the operator falls away from the controls.

A spare emergency stop switch clip is provided in the tool bag (p. 39).

Choke Knob



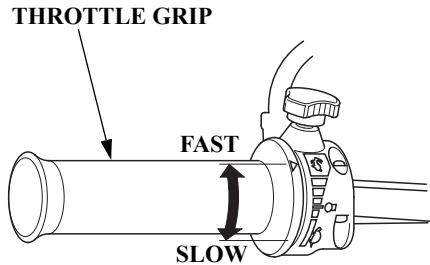
The choke knob opens and closes the choke valve in the carburetor.

The ON position enriches the fuel mixture for starting a cold engine.

The OFF position provides the correct fuel mixture for operation after starting, and for restarting a warm engine.

CONTROLS AND FEATURES

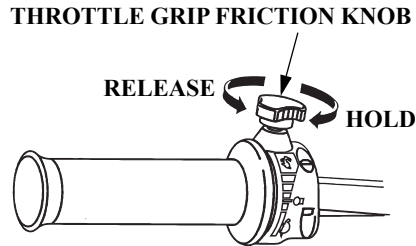
Throttle Grip



The throttle grip controls engine speed.

An index mark on the tiller arm shows throttle position and is helpful for setting the throttle correctly when starting (p. 26).

Throttle Grip Friction Knob

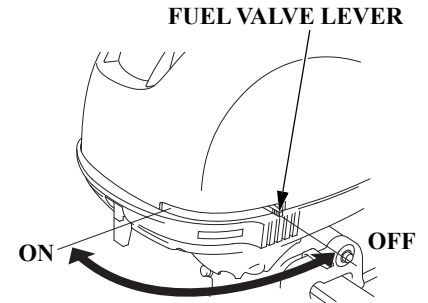


The throttle grip friction knob adjusts resistance to throttle grip rotation.

Turn the knob clockwise to increase friction for holding a throttle setting while cruising.

Turn the knob counterclockwise to decrease friction for easy throttle grip rotation.

Fuel Valve Lever

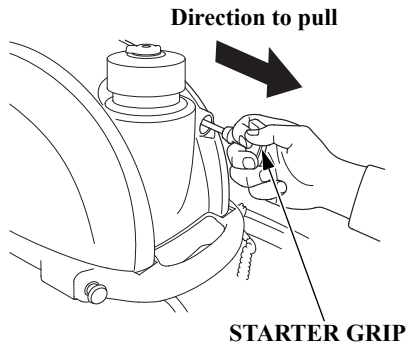


The fuel valve opens and closes the passage between the fuel tank and the carburetor.

The fuel valve lever must be in the ON position for the engine to run.

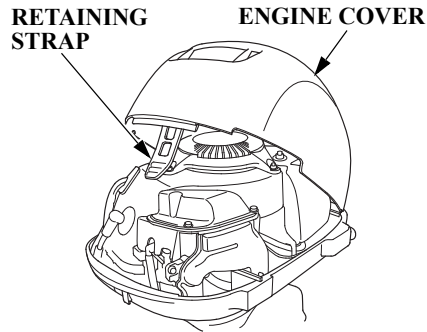
When the engine is not in use, leave the fuel valve lever in the OFF position to prevent carburetor flooding and to reduce the possibility of fuel leakage.

Starter Grip



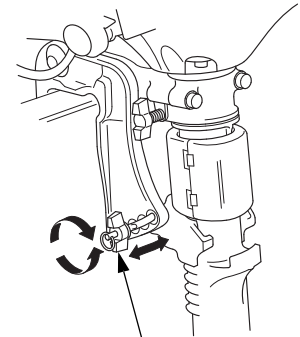
Pulling the starter grip operates the recoil starter to crank the engine for starting.

Engine Cover Retaining Strap



Use the retaining strap to hold the engine cover closed. Do not remove the engine cover while the engine is running.

Transom Angle Adjusting Bolt



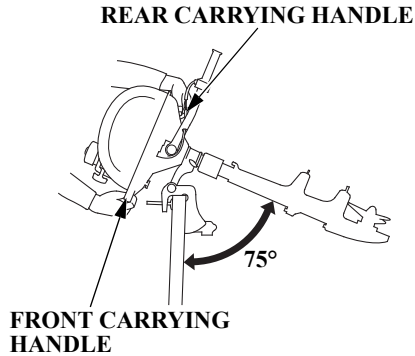
The transom angle adjusting bolt is used to adjust the angle of the outboard motor in the normal operating position (see page 34).

Loosen the wing nut to free the adjusting bolt.

Adjust the angle of the outboard motor, and tighten the wing nut. Be sure that the bolt head and wing nut are seated in one of the four recesses in the adjustment slot.

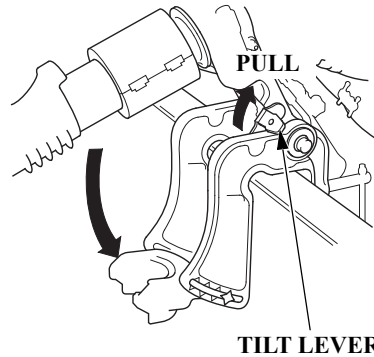
CONTROLS AND FEATURES

Tilt Lever



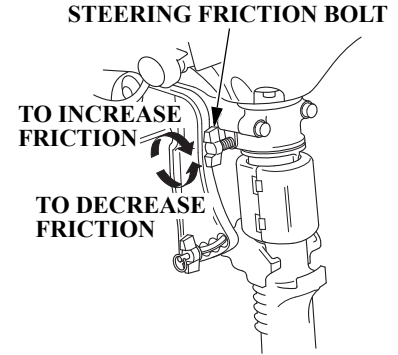
The tilt lever enables the outboard motor to be tilted for beaching, launching, or mooring.

Tilt the outboard motor by holding the carrying handles, as shown. The spring-loaded tilt lever will automatically move into position and hold the outboard motor when it reaches approximately 75°.



To return the outboard motor to the normal running position, hold the outboard motor and pull the tilt lever, then slowly lower the outboard motor.

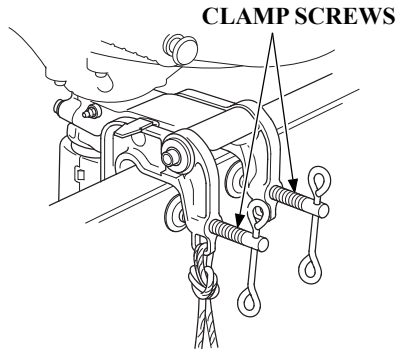
Steering Friction Bolt



The steering friction bolt adjusts steering resistance.

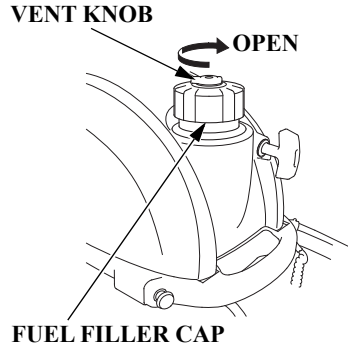
Less friction allows the outboard motor to turn more easily. More friction helps to hold a steady course while cruising or to prevent the outboard motor from swinging while trailering the boat.

Clamp Screws



Use the clamp screws to secure the outboard motor to the transom.

Fuel Filler Cap Vent Knob



The fuel filler cap is provided with a vent knob to seal the fuel tank. Open the vent by turning the vent knob to the ON position before starting the engine (p. 25).

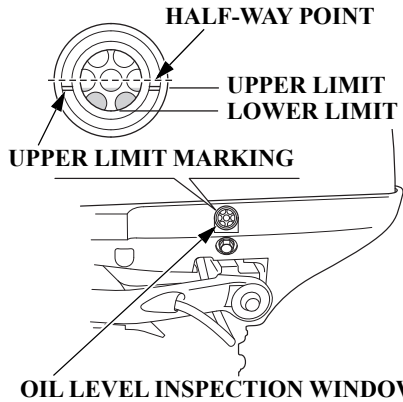
OTHER FEATURES

Centrifugal Clutch

The centrifugal clutch automatically engages and transmits power when engine speed is increased above approximately 2,700 rpm. At idle speed, the clutch is disengaged.

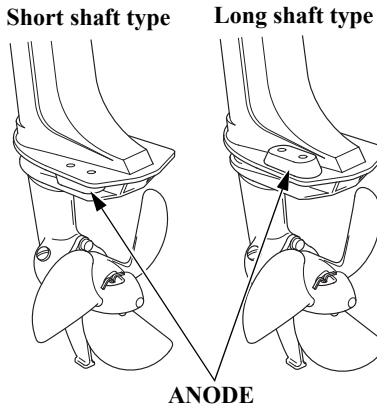
CONTROLS AND FEATURES

Oil Level Inspection Window



Use the oil level inspection window to check the engine oil level with the engine stopped and the outboard motor in the upright position.

Anode



The anode is made of a sacrificial material that helps to protect the outboard motor from corrosion.

INSTALLATION

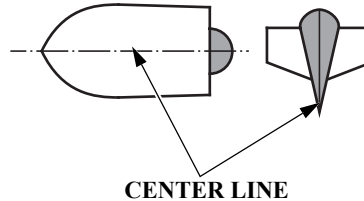
Correct and secure installation is essential for safe boating and good performance. Follow the installation instructions provided in this manual.

POWER REQUIREMENTS

Before installation, check to be sure that the outboard motor does not exceed the recommended maximum horsepower for the boat on which it is to be installed. Refer to the boat's certification plate for recommended maximum horsepower. If the certification plate information is not available, contact the boat dealer or manufacturer.

For most applications, the outboard motor should have a horsepower rating which provides 80% of the maximum recommended horsepower for the boat.

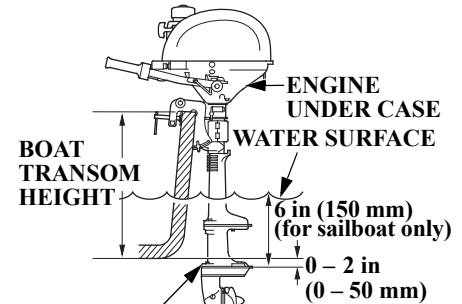
INSTALLATION POSITION



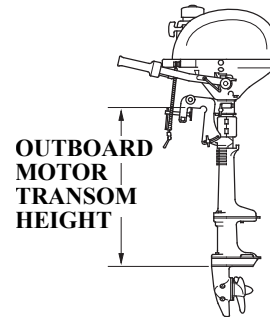
Install the outboard motor on the center of the boat transom.

The antiventilation plate of the outboard motor should be 0 – 2 in (0 – 50 mm) below the bottom of the boat. When the outboard motor is mounted on a sailboat, the antiventilation plate should be 6 in (150 mm) or more below the surface of the water. For unusual situations, see your Honda Marine dealer for advice.

The correct dimensions differ according to the type of boat and the configuration of the bottom of the boat. Follow the manufacturer's recommended installation height.



ANTIVENTILATION PLATE



OUTBOARD MOTOR TRANSOM HEIGHT

Type:	Outboard Motor Transom Height
S:	16.5 in (418 mm)
L:	22.5 in (571 mm)

INSTALLATION

When the outboard motor is installed extremely low, water may enter into the engine under case and negatively affect the performance and durability. When installing, check that the outboard motor is high enough from the water level to keep the engine under case from waves, splash, etc. when the engine is stopped with the boat fully loaded.

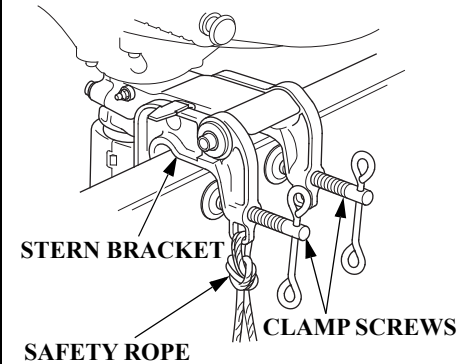
If the outboard motor is installed too low, the boat will squat and be hard to plane, and the outboard motor will spray water that may enter the boat. It will tend to porpoise, and high-speed stability will be reduced.

Propeller ventilation will occur if the outboard motor is installed too high on the boat transom.

Optimum installation height varies with boat type and bottom shape. Contact the boat manufacturer for any special recommendations that are unique to a specific model of boat.

If the transom needs to be modified to accommodate the outboard motor, contact the boat manufacturer and follow their recommendations for corrective action.

ATTACHMENT



Attach the stern bracket to the boat transom by tightening the clamp screws.

Attach a rope from the boat to the hole in the stern bracket. This will help to prevent accidental loss of the outboard motor.

TRANSOM ANGLE ADJUSTMENT

Use the transom angle adjusting bolt (p. 24) to adjust the angle of the outboard motor so the propeller is perpendicular to the surface of the water.

BEFORE OPERATION

ARE YOU READY TO GET UNDERWAY?

Your safety is your responsibility. A little time spent in preparation will significantly reduce your risk of injury.

Knowledge

Read and understand this manual. Know what the controls do and how to operate them.

Familiarize yourself with the outboard motor and its operation before you get underway. Know what to do in case of an emergency.

Familiarize yourself with all laws and regulations relating to boating and the use of outboard motors.

Safety

Always wear a PFD (Personal Flotation Device) while on the boat.

Attach the emergency stop switch lanyard securely to the operator or to the operator's PFD.

IS YOUR OUTBOARD MOTOR READY TO GO?

For your safety, and to maximize the service life of your equipment, it is very important to take a few moments before you operate the outboard motor to check its condition. Be sure to take care of any problem you find, or have your authorized Marine dealer correct it, before you operate the outboard motor.

WARNING

Failure to properly maintain this outboard motor, or failing to correct a problem before operation, could result in a significant malfunction.

Some malfunctions can cause serious injuries or death.

Always perform a pre-operation inspection before each operation and correct any problems.

Before beginning your pre-operation checks, be sure the emergency stop switch clip is removed from the emergency stop switch.

Maintenance Inspection

- Check the engine oil level (p. 42). Running the engine with a low oil level can cause engine damage. Overfilling the engine can cause the engine to smoke or have oil leaks which can cause engine damage.
- Check to be sure the propeller is undamaged (p. 53).
- Check that the anode is securely attached to the antiventilation plate (p. 52) and is not excessively worn. The anode helps to protect the outboard motor from corrosion.
- Make sure the tool kit and emergency starter rope are onboard (p. 39). Replace any missing items.
- Check the fuel level in the fuel tank (p. 50).

Safety Inspection

- Before each use, look around and underneath the engine for signs of oil or gasoline leaks.
- Wipe up any spills before starting the engine.
- Check the stern bracket to be sure the outboard motor is securely installed.
- Check that all controls are operating properly.
- Replace any damaged parts.
- Check that all fasteners are in place and securely tightened.
- Check the emergency stop switch for proper operation (p. 13, 25). Start the engine. Make sure the engine stops by pulling the emergency stop switch clip from the emergency stop switch (p. 30).

OPERATION

SAFE OPERATING PRECAUTIONS

To safely realize the full potential of this outboard motor, you need a complete understanding of its operation and a certain amount of practice with its controls.

Before operating the outboard motor for the first time, please review the *IMPORTANT SAFETY INFORMATION* on page 6 and the chapter titled *BEFORE OPERATION*.

For your safety, do not start or run the engine in a confined or partly enclosed area. Your engine's exhaust contains poisonous carbon monoxide, a colorless, odorless gas that can collect rapidly. Breathing carbon monoxide can cause loss of consciousness and may lead to death.

⚠️ WARNING

Exhaust contains poisonous carbon monoxide gas that can build up to dangerous levels in closed areas.

Breathing carbon monoxide can cause unconsciousness or death.

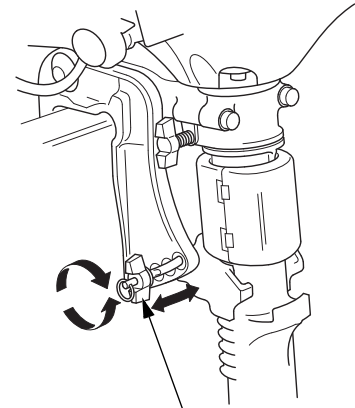
Never run this product's engine in a closed, or even partially closed area.

BREAK-IN PROCEDURE

Proper break-in procedure allows the moving parts to wear in smoothly for best performance and long service life.

For the first 10 hours, run the outboard motor at low speed, and avoid full-throttle operation.

TRANSOM ANGLE ADJUSTMENT



ADJUSTING BOLT AND WING NUT

The transom angle adjusting bolt is used to adjust the angle of the outboard motor in the normal operating position (p. 34).

1. To adjust, first tilt the outboard motor so it is not resting on the bolt.

There are four adjustment positions.

2. Loosen the wing nut to free the adjusting bolt.
3. Adjust the angle of the outboard motor, and tighten the wing nut. Be sure that the bolt head and wing nut are seated in one of the four adjustment positions.

NOTICE

To prevent damage to the outboard motor or boat, make sure the transom angle adjusting bolt is tight.

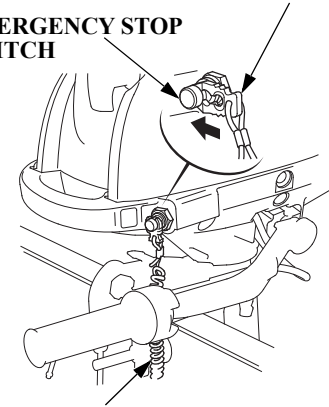
INFREQUENT OR OCCASIONAL USE

If your outboard motor will be used on an infrequent or intermittent basis, please refer to the fuel section of the *STORAGE* chapter (p. 54) for additional information regarding fuel deterioration.

STARTING THE ENGINE

EMERGENCY STOP SWITCH CLIP

EMERGENCY STOP SWITCH



EMERGENCY STOP SWITCH LANYARD

1. Put the emergency stop switch clip in the emergency stop switch, and attach the emergency stop switch lanyard securely to the operator or to the operator's PFD (Personal Flotation Device).

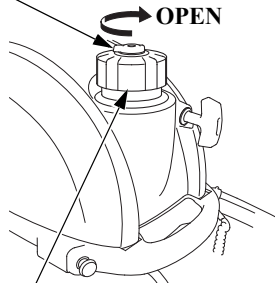
The engine will not start or run unless the emergency stop switch clip is in the emergency stop switch.

OPERATION

The emergency stop switch clip and emergency stop switch lanyard system is a safety device that will stop the engine if you fall away from the controls while operating the boat.

Always attach the emergency stop switch lanyard securely to the operator or to the operator's PFD before starting the engine.

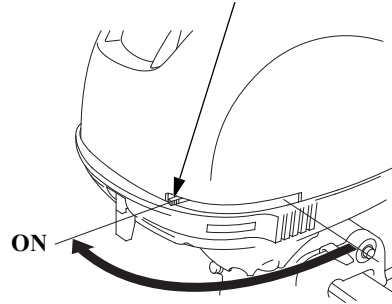
VENT KNOB



FUEL FILLER CAP

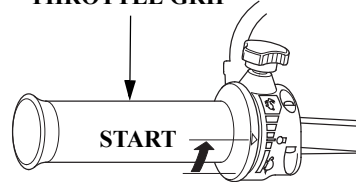
2. Open the fuel tank vent by turning the vent knob to the ON position.

FUEL VALVE LEVER



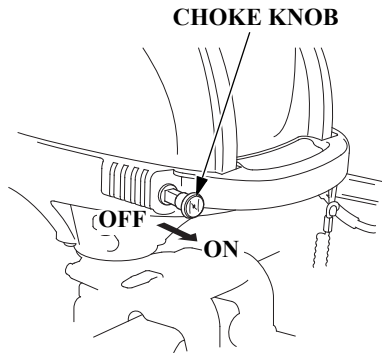
3. Move the fuel valve lever to the ON position.

THROTTLE GRIP

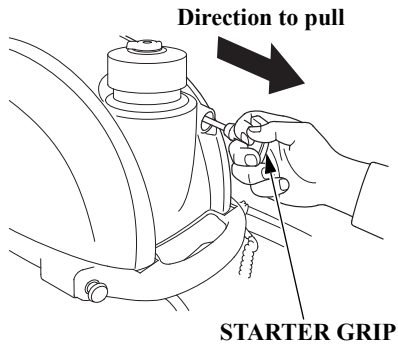


4. Move the throttle grip to the START position.

Do not start the engine with the throttle grip in any position other than the START position, or the boat will move suddenly when the engine starts.



5. To start a cold engine, pull the choke knob to the ON position. To restart a warm engine, leave the choke knob in the OFF position.



6. Pull the starter grip lightly until you feel resistance, then pull briskly in the direction of the arrow as shown above.

Return the starter grip gently.

7. If the choke knob was pulled to the ON position to start the engine, gradually push it to the OFF position as the engine warms up.

Also, as the engine warms up, the throttle grip can be turned to the SLOW position without stalling.

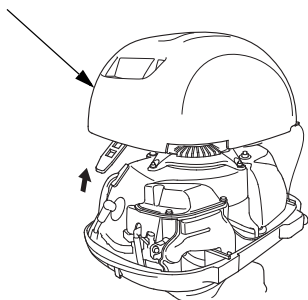
8. Before getting underway, allow the engine to warm-up sufficiently to ensure good performance.

OPERATION

EMERGENCY STARTING

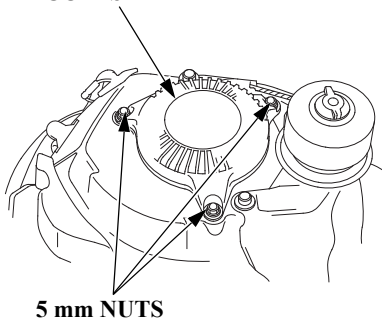
If the recoil starter is not working properly, you can start the engine manually using the emergency starter rope that came with your outboard motor.

ENGINE COVER



1. Remove the engine cover.

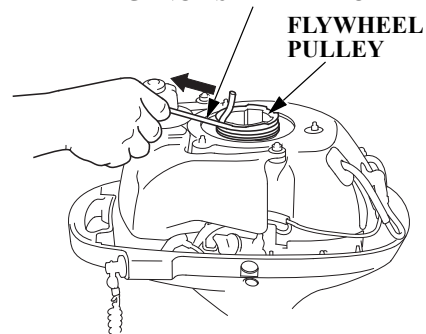
RECOIL STARTER



2. Remove the three 5 mm nuts with an 8 mm wrench and remove the recoil starter.
3. Set the controls the same as for normal starting (see pages 25 – 27). Use the choke control if needed.

EMERGENCY STARTER ROPE

FLYWHEEL PULLEY



4. Set the knotted end of the emergency starter rope in the notch in the flywheel pulley. Wind the rope clockwise around the flywheel pulley, as shown.

5. Pull the emergency starter rope slowly until resistance is felt, then pull briskly.

Keep away from moving parts while pulling the rope.

If necessary, rewind the rope and pull again. If the engine does not start after several attempts, refer to *TAKING CARE OF UNEXPECTED PROBLEMS*, p. 59.

WARNING

Exposed moving parts can cause injury.

- Do not operate the outboard motor without the engine cover.
- Use extreme care when installing the engine cover.

6. If the choke was used to start the engine, return the knob to the normal operating position as the engine warms up.

7. Leave the recoil starter assembly off, but install the engine cover (p. 42).

8. If it was necessary to remove the emergency stop switch lanyard from you to perform the emergency starting procedure, be sure the lanyard is attached securely to operator before operating the outboard motor.

9. Have your closest authorized Marine dealer check your recoil starter system and correct the problem, so you can use the recoil starter.

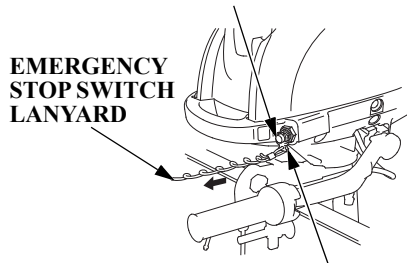
The recoil starter assembly should be reinstalled after the recoil starter is working again. Install the recoil starter assembly with the engine stopped.

OPERATION

STOPPING THE ENGINE

Emergency Engine Stopping

EMERGENCY STOP SWITCH



EMERGENCY STOP SWITCH CLIP

To stop the engine in an emergency, pull the emergency stop switch clip out of the emergency stop switch by pulling the emergency stop switch lanyard.

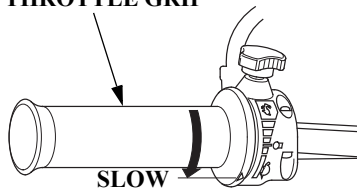
If the emergency stop switch is activated while the engine is running, the engine will shut down abruptly and the boat will quickly decelerate, potentially causing occupants and objects to be thrown forward and/or overboard.

If the emergency stop switch is activated, the emergency stop switch clip must be reinserted before the engine can be restarted.

We suggest that you stop the engine this way occasionally to verify that the engine and emergency stop switch are operating properly.

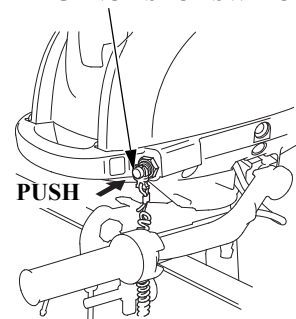
Normal Engine Stopping

THROTTLE GRIP



1. Move the throttle grip to the SLOW position.

EMERGENCY STOP SWITCH

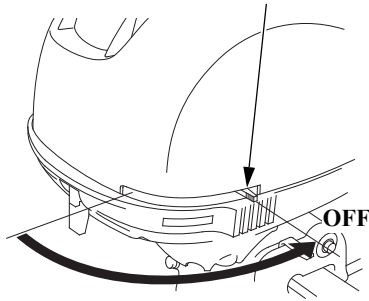


After cruising, cool down the engine by idling for a few minutes before stopping the engine.

2. Push the emergency stop switch button until the engine stops.

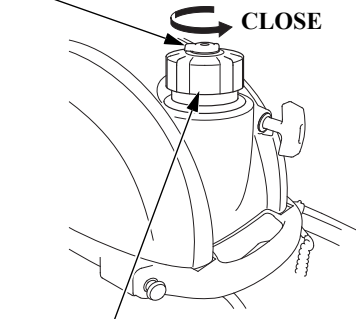
In the event that the engine does not stop when you push the emergency stop switch, pull the emergency stop switch lanyard. If the engine continues to run, move the fuel valve lever to the OFF position and pull the choke knob to stop the engine.

FUEL VALVE LEVER



3. Move the fuel valve lever to the OFF position.

VENT KNOB



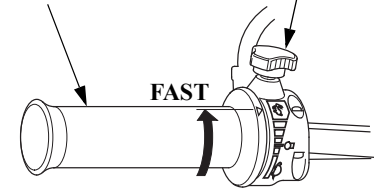
FUEL FILLER CAP

4. Close the fuel tank vent by turning the vent knob to the OFF position.

THROTTLE OPERATION

THROTTLE GRIP FRICTION KNOB

THROTTLE GRIP



Use the throttle grip friction knob to help hold a constant throttle setting while cruising.

Turn the knob clockwise to increase throttle grip friction for holding a constant speed.

Turn the knob counterclockwise to decrease friction for easy grip rotation.

OPERATION

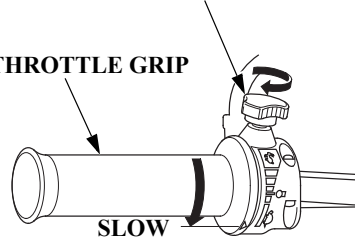
REVERSING THE OUTBOARD MOTOR

Important Safety Precautions

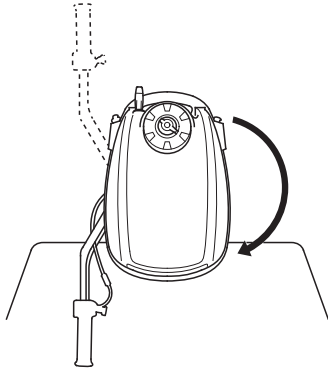
- *Before rotating the outboard motor (from either forward to reverse or from reverse to forward) reduce the engine speed to SLOW, or the boat could capsize.*
- *When operating in reverse, proceed with caution to avoid hitting any underwater obstructions with the propeller.*

THROTTLE GRIP FRICTION KNOB

THROTTLE GRIP

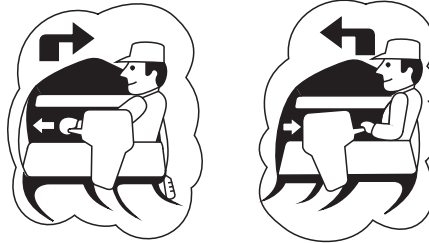


1. Move the throttle grip to the SLOW position and hold it there by turning the throttle grip friction knob clockwise.



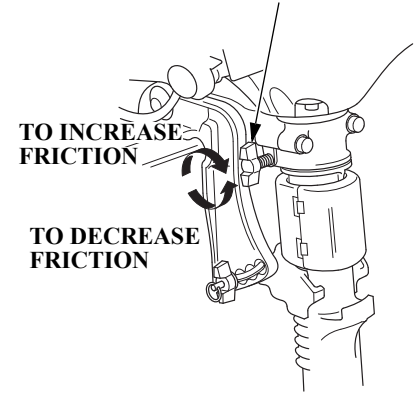
2. To reverse direction, turn the outboard motor 180°, and then pivot the tiller handle as shown. Be careful not to hold and move the throttle grip when pivoting the tiller handle.

STEERING



Steer by moving the tiller handle opposite the direction you want the boat to turn.

STEERING FRICTION BOLT



Use the steering friction bolt to help hold a steady course while cruising.

Turn the bolt clockwise to increase steering friction for holding a steady course.

Turn the bolt counterclockwise to decrease friction for easy turning.

OPERATION

CRUISING

Engine Speed

For best fuel economy, limit the throttle opening to 80%. Use the throttle friction control (p. 32) to help you hold a steady speed.

For rough water conditions or large waves, slow down to prevent the propeller from rising out of the water.

Transom Angle

Install the outboard motor at the best transom angle for stable cruising and maximum power. See page 24 for adjustment procedure.

Transom angle too large: Causes boat to “squat”.

Transom angle too small: Causes boat to “bow steer” (Sprayed water may enter the boat).

It is necessary to adjust the transom angle to compensate for changes in boat load, weight distribution, water conditions, or propeller selection.

Under normal running conditions, the boat will perform best when the antiventilation plate (p. 19) is level with the water surface.

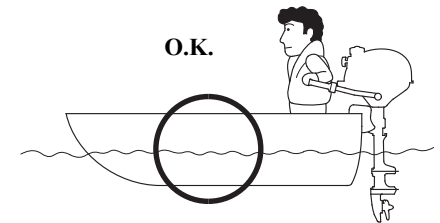
When cruising into a high wind, decrease the transom angle slightly to level the boat and improve stability.

With a tail wind, increase the transom angle slightly.

NOTICE

Excessive transom angle during operation can cause propeller ventilation and overheating.

Transom Angle (Cruising)

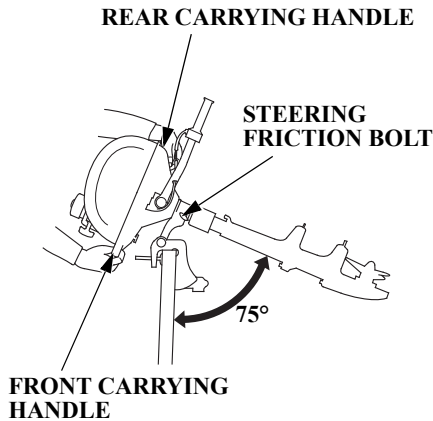


**CORRECT
GIVES MAXIMUM PERFORMANCE**

MOORING, BEACHING, LAUNCHING

To raise the outboard motor out of the water while the boat is moored, or for maximum clearance when beaching or launching, tilt the outboard motor to the 75° position.

Stop the engine before tilting the outboard motor. The 75° position is not an operating position.

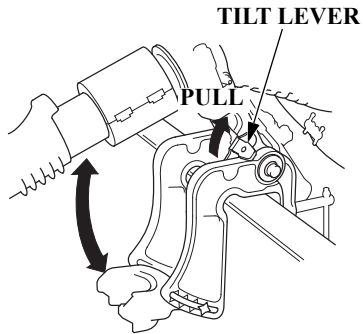


1. Stop the engine and turn the fuel valve lever to the OFF position.
2. Close the fuel tank vent by turning the vent knob to the OFF position.
3. With the outboard motor in the forward position, tilt the outboard motor using the front and rear carrying handles on the engine cover. The spring-loaded tilt lever will automatically move into position and hold the outboard motor when it reaches approximately 75°.
4. Adjust the steering friction bolt to keep the outboard motor from moving.

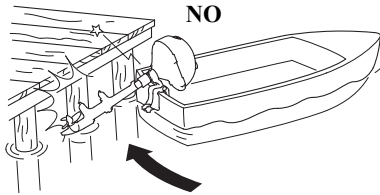
NOTICE

- *Do not use the tiller handle as a lever to raise the outboard motor. Applying excessive force to the tiller handle can damage it.*
- *If the outboard motor is tilted in the reverse position, crankcase oil will enter the cylinder and may cause difficult starting or may prevent the engine from being cranked.*

OPERATION



5. To return the outboard motor to the normal running position, hold the outboard motor by the front carrying handle on the engine case and pull the tilt level toward you, and then lower the outboard motor slowly.



NOTICE

To avoid damaging the outboard motor, be very careful when mooring a boat, especially when its outboard motor is tilted up. Don't allow the outboard motor to strike against the pier or other boats.

SERVICING YOUR OUTBOARD MOTOR

THE IMPORTANCE OF MAINTENANCE

Proper maintenance is essential for safe, economical, and trouble-free operation. It will also help reduce air pollution.

WARNING

Failure to properly maintain this outboard motor, or failing to correct a problem before operation, could result in a significant malfunction.

Some malfunctions can cause serious injuries or death.

Always follow the inspection and maintenance recommendations and schedules in this owner's manual.

To help you properly care for your outboard motor, the following pages include a maintenance schedule, routine inspection procedures, and simple maintenance procedures using basic hand tools. Other service tasks that are more difficult or require special tools are best handled by professionals and are normally performed by a Honda technician or other qualified mechanic.

The maintenance schedule applies to normal operating conditions. If you operate your outboard motor under unusual conditions, consult an authorized Honda Marine dealer for recommendations applicable to your individual needs and use.

Remember that your authorized Honda Marine dealer knows your outboard motor best and is fully equipped to maintain and repair it.

To ensure the best quality and reliability, use only new, Honda Genuine parts or their equivalents for repair and replacement.

Maintenance, replacement, or repair of the emission control devices and systems may be performed by any marine engine repair establishment or individual, using parts that are “certified” to EPA standards.

SERVICING YOUR OUTBOARD MOTOR

MAINTENANCE SAFETY

Some of the most important safety precautions follow. However, we cannot warn you of every conceivable hazard that can arise in performing maintenance. Only you can decide whether or not you should perform a given task.

⚠ WARNING

Improper maintenance can cause an unsafe condition.

Failure to properly follow maintenance instructions and precautions can cause serious injuries or death.

Always follow the procedures and precautions in this owner's manual.

Safety Precautions

- Make sure the engine is off before you begin any maintenance or repairs. This will eliminate several potential hazards:
 - **Carbon monoxide poisoning from engine exhaust.**
Do not start or run the engine in a confined or partly enclosed area.
 - **Burns from hot parts.**
Let the engine and exhaust system cool before touching.
 - **Injury from moving parts.**
Do not run the engine unless instructed to do so.
- Read the instructions before you begin, and make sure you have the tools and skills required.
- To reduce the possibility of fire or explosion, be careful when working around gasoline. Use only a nonflammable solvent, not gasoline, to clean parts. Keep cigarettes, sparks, and flames away from all fuel-related parts.
- Wear gloves when handling the propeller to protect your hands from sharp edges.

SERVICING YOUR OUTBOARD MOTOR

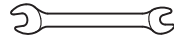
TOOL KIT AND EMERGENCY STARTER ROPE



EMERGENCY STARTER ROPE

The following tools are supplied with the outboard motor for simple maintenance procedures and emergency repairs. An emergency starter rope is also supplied. Keep these items on the boat so that they will always be available if you need them.

If your tool kit needs replacement, it is not available as a kit and each item must be ordered individually.



8 x 10 mm WRENCH



**FLAT/PHILLIPS
SCREWDRIVER**



**EMERGENCY STOP
SWITCH CLIP**



BOX WRENCH



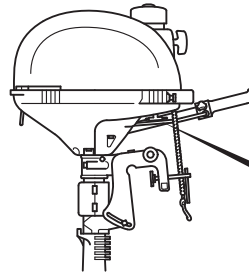
SPARK PLUG WRENCH



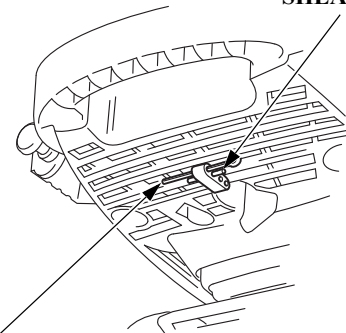
PLIERS



TOOL BAG



COTTER PIN



SHEAR PIN

SERVICING YOUR OUTBOARD MOTOR

MAINTENANCE SCHEDULE

Follow the MAINTENANCE SCHEDULE table and service your outboard motor accordingly. Please note, a claim for warranty coverage will not be denied simply because the maintenance schedule for your outboard motor was not followed. However, any part(s) that fails specifically due to lack of maintenance, or improperly performed maintenance, would not be covered under the *Distributor's Limited Warranty (U.S.) / Distributor's Warranty (CA.)*.

REGULAR SERVICE PERIOD (3) Perform at every indicated month or operating hour interval, whichever comes first.		Each use	First month or 10 hrs.	Every 6 months or 50 hrs.	Every year or 150 hrs.
ITEM					
Engine oil	Check level	o			
	Change		o	o	
Gear case oil	Change		o	o	
Starter rope	Check			o	
Carburetor linkage	Check-adjust		o (2)	o (2)	
Valve clearance	Check-adjust				o (2)
Spark plug	Check-adjust			o	
Propeller and Cotter pin	Check	o			
Anode	Check	o			
Idling speed	Check-adjust		o (2)	o (2)	
Clutch shoes and drum	Check				o (2)

- (2) These items should be serviced by an authorized marine dealer, unless you have the proper tools and are mechanically proficient. Refer to the Honda shop manual for service procedures. See "Honda Publications" on page 71 for ordering information.
- (3) For professional commercial use, log hours of operation to determine proper maintenance intervals.

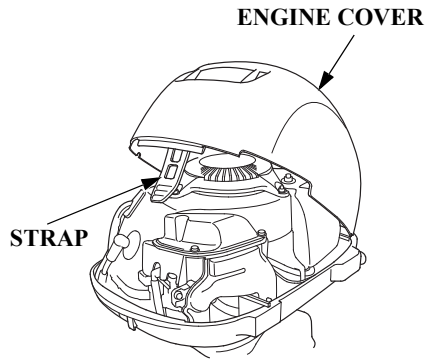
SERVICING YOUR OUTBOARD MOTOR

REGULAR SERVICE PERIOD (3) Perform at every indicated month or operating hour interval, whichever comes first.		Each use	First month or 10 hrs.	Every 6 months or 50 hrs.	Every year or 150 hrs.
ITEM					
Swivel case lining and bush	Replace		Every 3 years (2)		
Water seal	Replace		Every 3 years (2)		
Fuel line	Check	o (4)			
	Replace		Every 2 years (If necessary) (2)(5)		
Bolts and nuts	Check-tightness		o (2)		o (2)
Lubrication	Grease		o (1)	o (1)	
Fuel tank and tank filter	Clean			o (2)	
Crankcase breather tube	Check				o (2)
Emergency stop switch	Check	o			

- (1) Lubricate more frequently when used in salt water.
- (2) These items should be serviced by an authorized marine dealer, unless you have the proper tools and are mechanically proficient. Refer to the Honda shop manual for service procedures. See "Honda Publications" on page 71 for ordering information.
- (3) For professional commercial use, log hours of operation to determine proper maintenance intervals.
- (4) Check the fuel line for leaks, cracks or damage. If it is leaking, cracked or damaged, take it to your servicing dealer for replacement before using your outboard.
- (5) Check the fuel line for leaks, cracks or damage. Replace the fuel line if there are signs of leaks, cracks or damage.

SERVICING YOUR OUTBOARD MOTOR

ENGINE COVER REMOVAL AND INSTALLATION



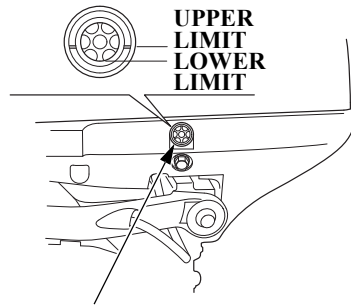
The engine cover retaining strap fastens the engine cover to the outboard motor.

To remove the engine cover, unhook the engine cover retaining strap, then lift the engine cover off the outboard motor.

To install the engine cover, place the cover on the outboard motor, then hook the engine cover retaining strap securely.

Engine Oil Level Check

Check the engine oil level with the engine stopped and the outboard motor in the vertical position.



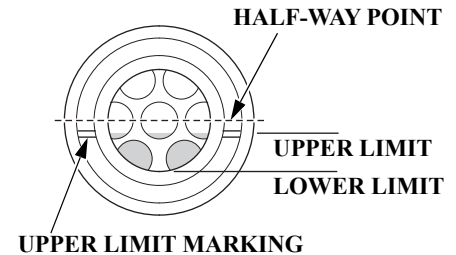
OIL LEVEL INSPECTION WINDOW

1. Check the oil level shown on the oil level inspection window.

2. If the oil level is near or below the lower limit mark on the window, fill with the recommended oil to the upper limit mark on the window.

NOTICE

- *Running the engine with a low oil level can cause engine damage.*
 - *Do not overfill. Overfilling the engine will cause it to smoke or have oil leaks.*
- The upper limit mark is below the half-way point in the window. If the oil level reaches the middle of the window, the engine is overfilled with oil.*



SERVICING YOUR OUTBOARD MOTOR

When you check the oil level in the oil level inspection window, you might notice the engine oil appears milky or the oil level has increased. If you notice either condition, change the engine oil. See the following table for an explanation of these conditions.

Operating Method	Result	Effect
Running the engine below 3,000 rpm for more than 30% of the time so the engine does not warm up.	<ul style="list-style-type: none">• Water condenses in the engine and mixes with the oil, resulting in a milky appearance.	The engine oil deteriorates, becomes less efficient as a lubricant, and causes an engine malfunction.
Frequent starting and stopping without allowing the engine to warm up.	<ul style="list-style-type: none">• Unburned fuel mixes with the oil, increasing the volume of oil.	

SERVICING YOUR OUTBOARD MOTOR

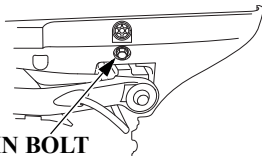
Engine Oil Change

An engine oil evacuation device may be used to remove the engine oil, if you do not wish to remove the outboard from the boat. Drain the used oil while the engine is warm. Warm oil drains quickly and completely.

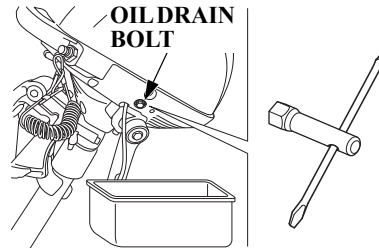
1. Move the fuel valve lever to the OFF position, and turn the vent knob to the OFF position to close the fuel vent.
2. Remove the outboard from the boat.
3. Loosen the oil drain bolt, and turn the outboard motor on its tiller handle side.

NOTICE

If you remove the oil drain bolt before turning the outboard motor on its steering handle side, oil may spill over the outboard motor.



OIL DRAIN BOLT



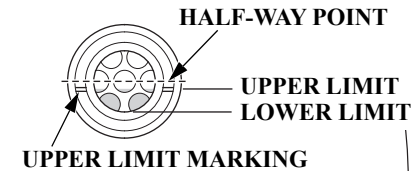
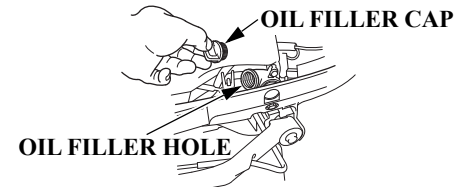
4. Remove the oil drain bolt and O-ring to drain the oil.

NOTICE

Improper disposal of engine oil can be harmful to the environment. If you change your own oil, please dispose of the used oil properly. Put it in a sealed container, and take it to a recycling center. Do not discard it in a trash bin, dump it on the ground, or pour it down a drain.

5. Install the oil drain bolt and a new O-ring.
6. Stand the engine in upright position and tighten the oil drain bolt securely.

OIL DRAIN BOLT TORQUE:
4.7 lbf·ft (6.5 N·m, 0.65 kgf·m)



OIL LEVEL INSPECTION WINDOW

7. Remove the engine cover.

SERVICING YOUR OUTBOARD MOTOR

- Remove the oil filler cap and fill the crankcase with the recommended oil up to the upper limit mark on the oil level inspection window (p.42).

Engine oil refill capacity:
0.26 US qt (0.25 L)

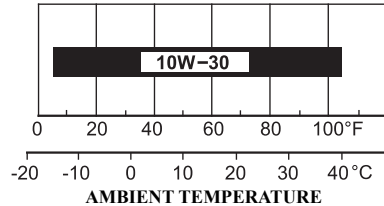
Do not overfill! Overfilling the engine will cause it to smoke or have oil leaks.

The upper limit mark is below the half-way point in the window. If the oil level reaches the middle of the window, the engine is overfilled with oil.

- Recheck the oil level after shaking the outboard motor several times.
- Reinstall the oil filler cap securely.
- Reinstall the engine cover.
- Reinstall the outboard on the boat.

Engine Oil Recommendations

Oil is a major factor affecting performance and service life.



Honda 10W-30 FC-W[®] outboard motor oil is recommended for general use.

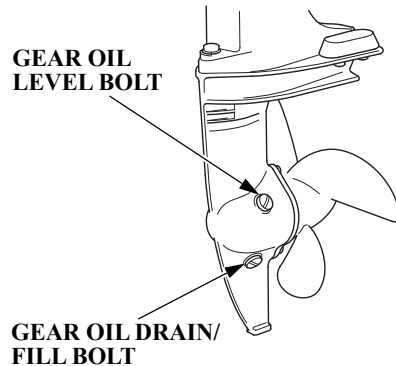
FC-W[®] is a registered trademark of the National Marine Manufacturers Association.

If Honda 10W-30 FC-W oil is not available, Honda recommends that you use API service category SG, SH or SJ oil. The SAE oil viscosity and service category are written in the API label on the oil container.

SERVICING YOUR OUTBOARD MOTOR

Gear Case Oil Change

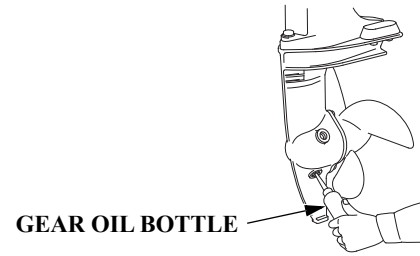
Change the gear case oil with the engine stopped and the outboard motor in the vertical position.



1. Place a suitable container below the oil drain hole to catch the used oil, then remove the oil level bolt, oil drain/fill bolt and washers.

2. Allow the used oil to drain completely, then install an oil pump adapter in the oil drain hole.

If water or contaminated (milky-colored) oil flows out the drain hole when the bolt is removed, have the outboard motor checked by an authorized Marine dealer.



NOTICE

Improper disposal of gear case oil can be harmful to the environment. If you change your own oil, please dispose of the used oil properly. Put it in a sealed container, and take it to a recycling center. Do not discard it in a trash bin, dump it on the ground, or pour it down the drain.

3. Add oil through the oil drain hole until it flows out the oil level hole, and then install the oil level bolt and a new washer. Remove the pump adapter and install the oil drain/fill bolt and a new washer.

GEAR OIL CAPACITY:
0.05 US qt (0.05 L)

Outboard motor SAE 90 hypoid gear oil API Service category (GL-4)

OIL LEVEL BOLT TORQUE:
2.5 lbf·ft (3.5 N·m, 0.35 kgf·m)

Avoid losing more than 1 fl oz (30 cm³) while reinstalling the drain/fill bolt.

OIL DRAIN /FILL BOLT TORQUE:
2.5 lbf·ft (3.5 N·m, 0.35 kgf·m)

SERVICING YOUR OUTBOARD MOTOR

Lubrication Points

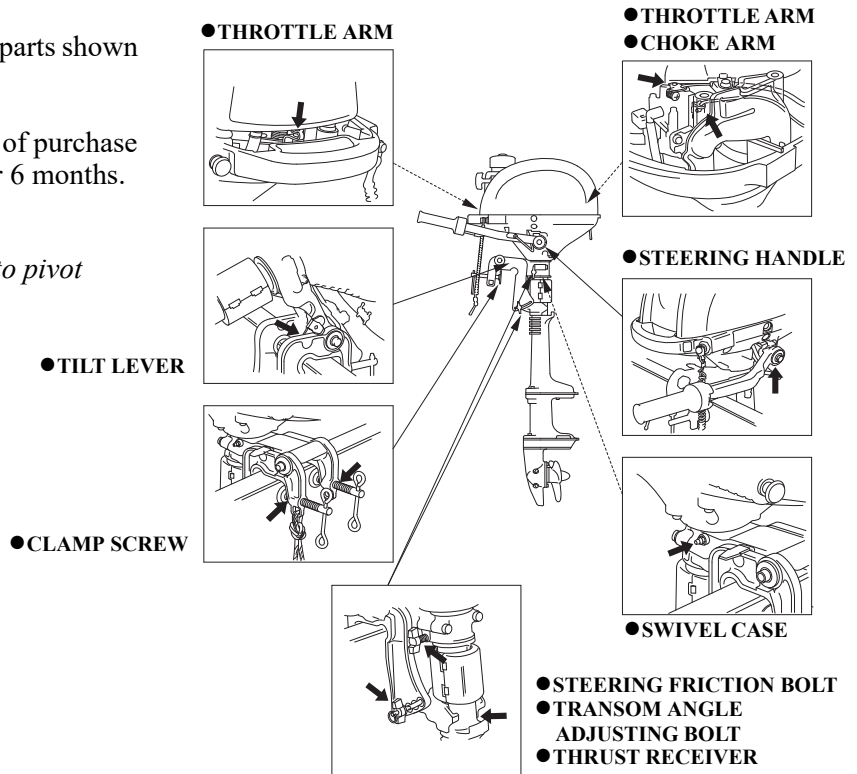
Apply Honda Marine waterproof grease to the parts shown below:

Lubrication interval:

10 operating hours or one month after the date of purchase or initial use, then every 50 operating hours or 6 months.

NOTICE

To prevent corrosion, apply anticorrosion oil to pivot surfaces where grease cannot penetrate.



Apply Honda Marine Corrosion Inhibitor (or equivalent) to all areas under the engine cover and any exposed metal surfaces.

SERVICING YOUR OUTBOARD MOTOR

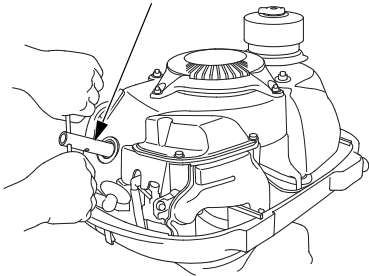
Spark Plug Service

RECOMMENDED SPARK PLUG:
LR4C-E (NGK)

NOTICE

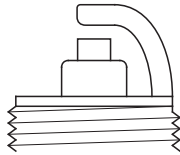
Incorrect spark plug can cause engine damage.

SPARK PLUG WRENCH

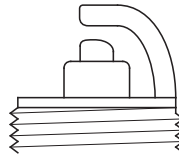


1. Remove the engine cover (p. 42).
2. Disconnect the spark plug cap from the spark plug.
3. Make sure the engine is cool.
Remove the spark plug with the spark plug wrench and screwdriver provided in the tool.

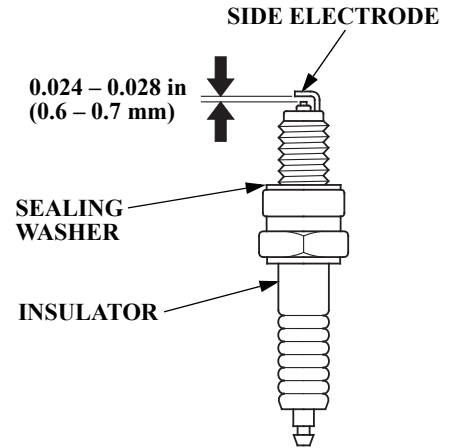
New plug



Plug needing replacement



4. Inspect the spark plug. Replace it if the electrode is worn, or if the insulator is cracked or chipped.



5. Measure the spark plug electrode gap with a wire-type feeler gauge. Correct the gap, if necessary, by carefully bending the side electrode.

The gap should be:
0.024 - 0.028 in
(0.6 - 0.7 mm)

6. Install the spark plug carefully, by hand, to avoid cross-threading.
7. After the spark plug seats, tighten with a spark plug wrench to compress the sealing washer.

If reinstalling the used spark plug, tighten 1/8 – 1/4 turn after the spark plug seats.

If installing a new spark plug, tighten 1/2 turn after the spark plug seats.

SPARK PLUG TORQUE:
9 lbf·ft (12 N·m, 1.2 kgf·m)

NOTICE

A loose spark plug can overheat and damage the engine.

Overtightening the spark plug can damage the threads in the cylinder head.

8. Attach the spark plug cap.
9. Install the engine cover.

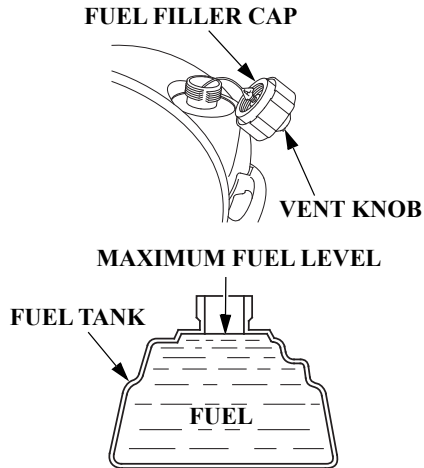
SERVICING YOUR OUTBOARD MOTOR

REFUELING

FUEL TANK CAPACITY:
0.29 US gal (1.1 L)

With the engine stopped, turn the vent knob to the ON position, and then remove the fuel filler cap.

Refill the fuel tank if the fuel level is low.



Refuel in a well-ventilated area. Fill the tank to the maximum fuel level.

After refueling, install the cap and tighten it securely. Turn the vent knob to the OFF position to close the fuel tank vent.

NOTICE

Fuel can damage paint and plastic. Be careful not to spill fuel when filling your fuel tank. Damage caused by spilled fuel is not covered under the Distributor's Limited Warranty (U.S.) / Distributor's Warranty (CA.).

⚠ WARNING

Gasoline is highly flammable and explosive.

You can be burned or seriously injured when handling fuel.

- Stop the engine and let it cool before handling fuel.
- Keep heat, sparks, and flame away.
- Handle fuel only outdoors.
- Keep away from your vehicle.
- Wipe up spills immediately.

Never refill the fuel tank inside a building where gasoline fumes may reach flames or sparks. Keep gasoline away from appliance pilot lights, barbecues, electric appliances, power tools, etc.

Spilled fuel is not only a fire hazard, it causes environmental damage. Wipe up spills immediately.

FUEL RECOMMENDATIONS

Use unleaded gasoline with a pump octane rating of 86 or higher.

Your outboard motor is certified to operate on unleaded gasoline with an octane rating of 86 or higher. Never use gasoline that is stale, contaminated, or mixed with oil. Avoid getting dirt or water in the fuel tank.

You may use unleaded gasoline containing no more than 10% ethanol (E10) or 5% methanol by volume. In addition, methanol must contain cosolvents and corrosion inhibitors.

Use of fuels with content of ethanol or methanol greater than shown above may cause starting and/or performance problems. It may also damage metal, rubber, and plastic parts of the fuel system.

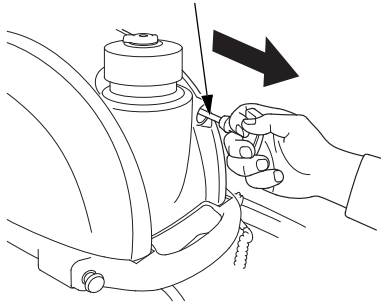
Engine damage or performance problems that result from using a fuel with percentages of ethanol or methanol greater than shown above are not covered under warranty.

If your outboard motor will be used on an infrequent or intermittent basis, please refer to the fuel section of the *STORAGE* chapter (p. 54) for additional information regarding fuel deterioration.

SERVICING YOUR OUTBOARD MOTOR

Recoil Starter Rope Inspection

RECOIL STARTER ROPE



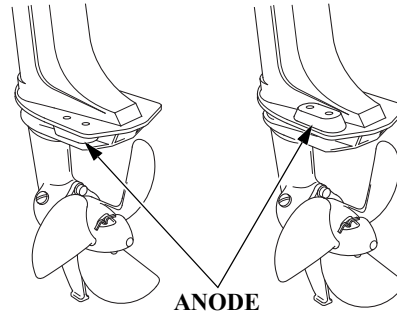
Inspect the recoil starter rope, and replace it if it becomes frayed.

Always keep the emergency starter rope on the boat in case the recoil starter rope fails.

Anode Replacement

Short shaft type

Long shaft type



The anode is made of a sacrificial material that helps to protect the outboard motor from corrosion.

Replace the anode when it has been reduced to about two-thirds of the original size, or if it is crumbling.

NOTICE

Painting or coating the anode will defeat its purpose and will lead to rust and corrosion damage to the outboard motor. The anode must be exposed to the water in order to protect the outboard motor.

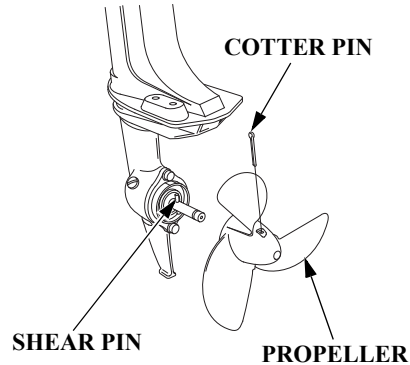
SERVICING YOUR OUTBOARD MOTOR

Propeller Replacement

Before replacing the propeller, remove the emergency stop switch clip from the emergency stop switch to prevent any possibility of the engine being started while you are working with the propeller. The propeller blades may have sharp edges, so wear heavy gloves to protect your hands.

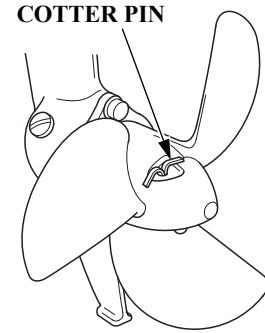
Operating the outboard motor at higher altitudes will reduce available power. This may require decreasing the propeller pitch to maintain correct engine RPM.

Removal



Remove the cotter pin, then remove the propeller and shear pin.

Installation



Install the propeller in the reverse order of removal. Be sure to replace the cotter pin with a new one.

NOTICE

Use a Honda Genuine stainless steel cotter pin and bend the pin ends as shown. A non-stainless steel cotter pin can deteriorate if used in saltwater.

Spare shear pin and cotter pin are provided on the engine undercase (p. 39).

STORAGE

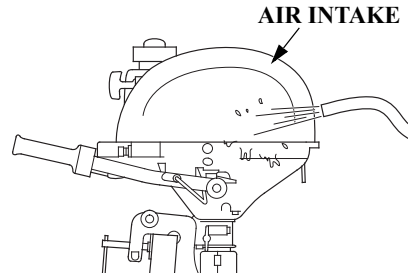
STORAGE PREPARATION

Proper storage preparation is essential for keeping your outboard motor trouble-free and looking good. The following steps will help to keep rust and corrosion from impairing your outboard motor's function and appearance, and will make the engine easier to start when you use the outboard motor again.

Cleaning

After each use in salt water or dirty water, thoroughly clean and rinse the outboard motor with fresh water.

Touch up any damaged paint, and coat areas that may rust with Honda Corrosion Inhibitor, or equivalent. Lubricate controls with a silicone spray lubricant.



Wash the outside of the outboard motor with clean, fresh water to remove mud, salt, seaweed, etc.

Cleaning of the outside of the outboard motor should be performed with the engine cover installed.

NOTICE

Be careful not to spray water into the air intake. If water penetrates inside the engine cover from the air intake, it may cause malfunction.

Fuel

NOTICE

Depending on the region where you operate your outboard, fuel formulations may deteriorate and oxidize rapidly. Fuel deterioration and oxidation can occur in as little as 15 days and may cause damage to the carburetor and fuel system. Please check with your servicing dealer for local storage recommendations.

Gasoline will oxidize and deteriorate in storage. Deteriorated gasoline will cause hard starting, and it leaves gum deposits that clog the fuel system. If the gasoline in your fuel tank and carburetor deteriorates during storage, you may need to have the carburetor and other fuel system components serviced or replaced.

The length of time that gasoline can be left in your fuel tank and carburetor without causing functional

problems will vary with such factors as gasoline blend, your storage temperatures, and whether the fuel tank is partially or completely filled. The air in a partially filled fuel tank promotes fuel deterioration. Very warm storage temperatures accelerate fuel deterioration. Fuel deterioration problems may occur in less than 15 days, if the gasoline was not fresh when you filled the fuel tank.

The *Distributor's Limited Warranty (U.S.) / Distributor's Warranty (CA.)* (p. 74) does not cover fuel system damage or engine performance problems resulting from neglected storage preparation. See page 51 for additional information on fuel recommendations.

You can extend fuel storage life by adding a gasoline stabilizer that is formulated for that purpose, or you can avoid fuel deterioration problems by draining all the fuel from the fuel tank and carburetor.

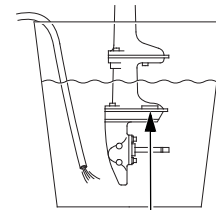
Adding a Fuel Stabilizer

When adding a fuel stabilizer, fill the fuel tank with fresh gasoline. If only partially filled, air in the tank will promote fuel deterioration during storage. If you keep a container of gasoline for refueling, be sure that it contains only fresh gasoline. Contact your authorized Honda Marine dealer for stabilizer recommendations.

1. Add Honda Marine fuel stabilizer or equivalent following the instructions on the label.
2. After adding a fuel stabilizer, run the engine outdoors for 10 minutes to be sure that the treated gasoline has replaced the untreated gasoline in the carburetor.

Starting the engine on land:

For safety, remove the propeller from the outboard motor (p. 53).



ANTIVENTILATION PLATE

- Place a container under the outboard motor, and fill it with clean, fresh water. The water level must be at least 6 inches (15 cm) above the antiventilation plate.

NOTICE

Running the engine without water can cause overheating and damage.

Damage caused by running the outboard motor without water is not covered by the *Distributor's Limited Warranty (U.S.) / Distributor's Warranty (CA.)*.

3. Turn the engine OFF, turn the fuel valve lever to the OFF position (p. 31), and close the vent knob (p. 31).

STORAGE

Draining the Fuel Tank and Carburetor

You can avoid fuel deterioration problems by draining the fuel tank and carburetor.

1. With the outboard motor in a vertical position, place an approved gasoline container below the fuel drain outlet, and use a funnel to avoid spilling fuel.

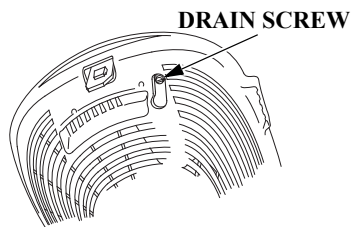
⚠ WARNING

Gasoline is highly flammable and explosive.

You can be burned or seriously injured when handling fuel.

- Stop the engine and let it cool before handling fuel.
- Keep heat, sparks, and flame away.
- Handle fuel only outdoors.
- Keep away from your vehicle.
- Wipe up spills immediately.

2. With the engine stopped, turn the fuel filler cap vent knob to the ON position to open the fuel vent, and then remove the fuel filler cap.
3. Loosen the carburetor drain screw and move the fuel valve lever to the ON position to drain the carburetor and the fuel tank into an approved gasoline container.



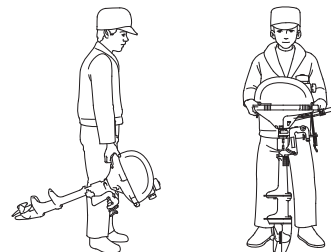
4. After draining is completed, tighten the carburetor drain screw and turn the fuel valve lever to the OFF position.
5. Install the fuel filler cap and turn the vent knob to the OFF position to close the fuel vent.

Engine Oil

1. Change the engine oil (p. 42 – 44).
2. Remove the spark plug (p. 48), and remove the emergency stop switch clip from the emergency stop switch.
3. Pour 1 – 2 teaspoons (5 – 10 cm³) of clean engine oil into the cylinder.
4. Pull the starter grip slowly several times to distribute the oil in the cylinder.
5. Reinstall the spark plug (p. 49).

STORAGE PRECAUTIONS

Select a well-ventilated storage area. If possible, avoid storage areas with high humidity.



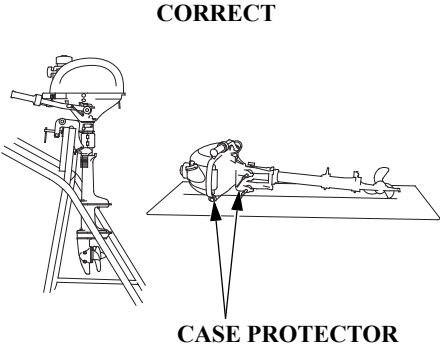
To carry the outboard motor, hold it by the carrying handle, as shown.

NOTICE

Lifting the outboard motor by the engine cover, or using the installed outboard motor as a handle or lever to move the boat, can damage the outboard motor.

If your fuel tank contains gasoline, store it away from any appliance that operates with a flame, such as a furnace, water heater, or clothes dryer. Also avoid any area with a spark-producing electric motor, or where power tools are operated.

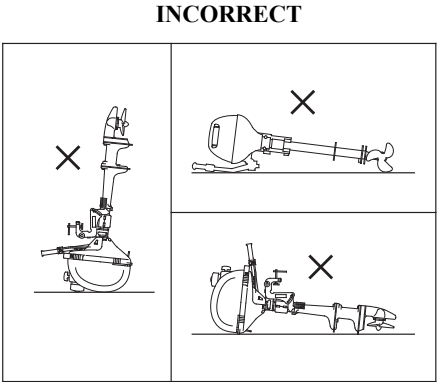
Store the outboard motor either vertically or horizontally with the tiller handle side up.



If storing horizontally, be sure to fold the tiller handle, and rest the outboard motor on its case protectors.

NOTICE

Any other horizontal storage position may cause damage to the outboard motor or oil leakage.



Cover the outboard motor to keep out dust. Do not use a plastic sheet as a dust cover. A nonporous cover will trap moisture, promoting rust and corrosion.

REMOVAL FROM STORAGE

Check your outboard motor as described in the *BEFORE OPERATION* chapter of this manual.

If the cylinder was coated with oil during storage preparation, the engine may smoke briefly at startup. This is normal.

TRANSPORTING

WITH OUTBOARD MOTOR INSTALLED ON BOAT

When trailering a boat with the outboard motor attached, leave the engine in the normal running position, if possible, and tighten the steering friction bolt securely (p. 33).

If there is insufficient road clearance in the normal running position, then tilt the outboard motor and use a motor support bar, or remove the outboard motor from the boat. Refer to the manufacturer's instructions for using a motor support bar.

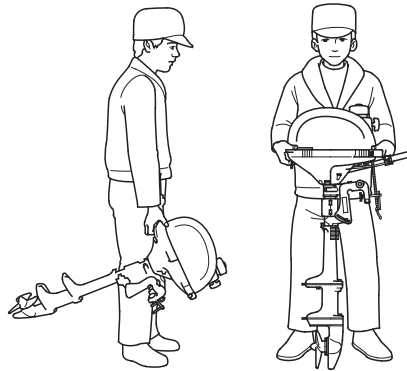


MOTOR SUPPORT BAR
(commercially available)

WITH OUTBOARD MOTOR REMOVED FROM BOAT

Turn the fuel filler cap vent knob to the OFF position and close the fuel filler cap securely before transporting the outboard motor.

Remove the outboard motor from the boat and secure the outboard motor in either the vertical or horizontal position shown on p. 57.



To carry, hold the outboard motor by the carrying handle, as shown.

NOTICE

Lifting the outboard motor by the engine cover, or using the installed outboard motor as a handle or lever to move the boat, can damage the outboard motor.

TAKING CARE OF UNEXPECTED PROBLEMS

ENGINE WILL NOT START

Possible Cause	Correction
Clip not inserted in emergency stop switch.	Insert clip in emergency stop switch.
Choke knob in OFF position.	Pull choke knob to the ON position, unless engine is warm (p. 27).
Throttle grip not in START position.	Turn throttle grip to the START position (p. 26).
Out of fuel.	Refuel (p. 50).
Fuel vent closed.	Move the vent knob to the ON position (p. 25).
Fuel valve lever in the OFF position.	Move the fuel valve lever to the ON position (p. 26).
Bad fuel; outboard motor stored without treating or draining gasoline, or refueled with bad gasoline.	Drain fuel tank and carburetor (p. 56). Refill with fresh gasoline (p. 50).
Spark plug faulty, fouled, or improperly gapped.	Gap or replace spark plug (p. 48).
Spark plug wet with fuel (flooded engine).	Dry and reinstall spark plug. Start engine with choke and throttle open.
Carburetor malfunction, ignition malfunction, stuck valves, etc.	Take outboard motor to an authorized Marine dealer, or refer to the shop manual.

TAKING CARE OF UNEXPECTED PROBLEMS

HARD STARTING OR STALLS AFTER STARTING

Possible Cause	Correction
Choke knob in OFF position.	Pull choke knob to the ON position, unless engine is warm (p. 27).
Throttle grip not in START position.	Turn throttle grip to the START position (p. 26).
Fuel vent closed.	Move the vent knob to the ON position (p. 25).
Bad fuel; outboard motor stored without treating or draining gasoline, or refueled with bad fuel.	Drain fuel tank and carburetor (p. 56). Refill with fresh gasoline (p. 50).
Spark plug faulty, fouled, or improperly gapped.	Gap or replace spark plug (p. 48).
Carburetor malfunction, ignition malfunction, etc.	Take outboard motor to an authorized Marine dealer, or refer to the shop manual.

TAKING CARE OF UNEXPECTED PROBLEMS

ENGINE WILL NOT DRIVE THE PROPELLER

Possible Cause	Correction
Broken shear pin.	Replace shear pin (p. 53).
Damaged clutch, drive train, or engagement mechanism.	Take outboard motor to an authorized Marine dealer, or refer to the shop manual.

TAKING CARE OF UNEXPECTED PROBLEMS

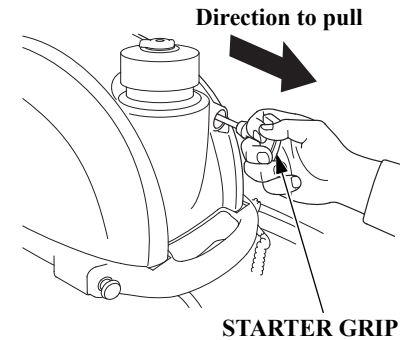
SUBMERGED OUTBOARD MOTOR

A submerged outboard motor must be serviced immediately after it is recovered from the water in order to minimize corrosion.

If there is a Honda Marine dealership nearby, take the outboard motor to the dealer immediately. If you are far from a dealer, proceed as follows:

1. Remove the engine cover, and rinse the outboard motor with fresh water to remove salt water, sand, mud, etc.
2. Drain the carburetor as described on p. 56.

3. Change the engine oil as described on p. 42 – 44. If there was water in the engine crankcase, or if the used engine oil showed signs of water contamination, then a second engine oil change should be performed after running the engine for half an hour.



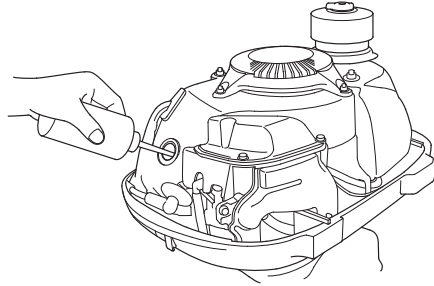
4. Remove the spark plug (p. 48), and remove the emergency stop switch clip from the emergency stop switch. Pull the starter grip, rotate the flywheel a few revolutions to completely expel any water from the cylinder.

If the engine was running when it submerged, there may be mechanical damage, such as a bent connecting rod. If the engine binds when cranked, do not attempt to run the engine until it has been repaired.

TAKING CARE OF UNEXPECTED PROBLEMS

NOTICE

When cranking the engine with an open ignition circuit (spark plug removed from the ignition circuit), remove the emergency stop switch clip from the emergency stop switch to prevent possible damage to the ignition system.



5. Pour a teaspoon of engine oil into the spark plug hole, and then pull the starter grip several times to lubricate the inside of the cylinder.
6. Reinstall the spark plug, and put the emergency stop switch clip into the emergency stop switch.

7. Attempt to start the engine.

If the engine fails to start, remove the spark plug, and dry it, then reinstall the spark plug and attempt to start the engine again.

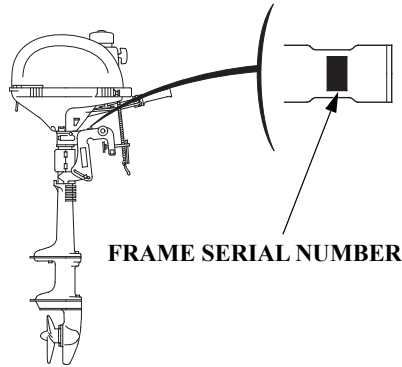
If the engine starts, and no mechanical damage is evident, continue to run the engine for a half hour or longer.

8. As soon as possible, take the outboard motor to an authorized Marine dealer for inspection and service.

TECHNICAL INFORMATION

Serial Number Locations

Record the frame serial number, the engine serial number, and the date of purchase in the space provided on this page. You will need these numbers when ordering parts, and when making technical or warranty inquiries (p. 72).

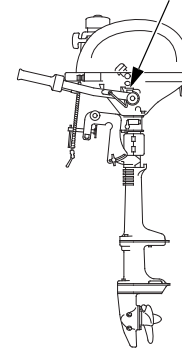


The frame serial number is stamped on a plate attached on the upper part of the swivel case.

Frame Serial Number:

Date of purchase:

ENGINE SERIAL NUMBER



The engine serial number is stamped on a plate attached on the clutch housing.

Engine serial number:

Carburetor Modification for High Altitude Operation

At altitudes above 3,000 feet (900 meters), the standard carburetor air-fuel mixture will be too rich. Performance will decrease, and fuel consumption will increase. A very rich mixture will also foul the spark plug and cause hard starting. Operation at an altitude that differs from that at which this engine was certified, for extended periods of time, may increase emissions.

High altitude operation can be improved by specific modifications to the carburetor. If you usually operate your outboard motor at 3,000 feet (900 meters) or above, consult with your authorized Honda Marine dealer.

Your dealer can determine the appropriate carburetor settings for the altitude at which you operate your outboard motor.

Even with carburetor modification, engine horsepower will decrease about 3.5% for each 1,000-foot (300-meter) increase in altitude. The effect of altitude on horsepower will be greater than this if no carburetor modification is made.

NOTICE

When the carburetor has been modified for operation at one of the higher altitude ranges, the air-fuel mixture will be too lean for operation at a lower altitude.

Operation at altitudes below the range for which the carburetor is set may cause the engine to overheat and result in serious engine damage.

For use at lower altitudes, have an authorized Marine dealer modify the carburetor for the correct altitude range.

TECHNICAL INFORMATION

Emission Control System Information

Source of Emissions

The combustion process produces carbon monoxide, oxides of nitrogen, and hydrocarbons. Control of hydrocarbons and oxides of nitrogen is very important because, under certain conditions, they react to form photochemical smog when subjected to sunlight. Carbon monoxide does not react in the same way, but it is toxic.

Honda utilizes appropriate air/fuel ratios and other emissions control systems to reduce the emissions of carbon monoxide, oxides of nitrogen, and hydrocarbons.

The U.S., California Clean Air Acts, and Canadian Environmental Protection Act

EPA, California, and Canadian regulations require all manufacturers to furnish written instructions describing the operation and maintenance of emission control systems.

The following instructions and procedures must be followed in order to keep the emissions from your Honda engine within the emission standards.

Tampering and Altering

NOTICE

Tampering is a violation of Federal and California law.

Tampering with or altering the emission control system may increase emissions beyond the legal limit. Among those acts that constitute tampering are:

- Removal or alteration of any part of the intake, fuel, or exhaust systems.
- Alterations that would cause the engine to operate outside its design parameters.

Problems That May Affect Emissions

If you are aware of any of the following symptoms, have your engine inspected and repaired by your servicing dealer.

- Hard starting or stalling after starting
- Rough idle
- Misfiring or backfiring under load
- Afterburning (backfiring)
- Black exhaust smoke or high fuel consumption

Replacement Parts

The emission control systems on your Honda engine were designed, built, and certified to conform with EPA, California, and Canadian emission regulations. We recommend the use of Honda Genuine parts whenever you have maintenance done. These original-design replacement parts are manufactured to the same standards as the original parts, so you can be confident of their performance. The use of replacement parts that are not of the original design and quality may impair the effectiveness of your emission control system.

A manufacturer of an aftermarket part assumes the responsibility that the part will not adversely affect emission performance. The manufacturer or rebuilder of the part must certify that use of the part will not result in a failure of the engine to comply with emission regulations.

Maintenance

Follow the maintenance schedule on (p. 40 and 41). Remember that this schedule is based on the assumption that your machine will be used for its designed purpose. Sustained high-load operation, or use in unusual conditions, will require more frequent service.

TECHNICAL INFORMATION

Star Label US, Puerto Rico, and US Virgin Islands

A Star label was applied to this outboard motor in accordance with the requirements of the California Air Resources Board.

The Star Label means Cleaner Marine Engine

This engine has been certified as a:



The Symbol for Cleaner Marine Engines:

Cleaner Air and Water - for healthier lifestyle and environment.

Better Fuel Economy - burns up to 30 - 40 percent less gas and oil than conventional carbureted two-stroke engines, saving money and resources.

Longer Emission Warranty - protects consumer for worry-free operation.



One Star Low Emission

The one-star label identifies engines that meet the Air Resources Board's Personal Watercraft and Outboard marine engine 2001 exhaust emission standards. Engines meeting these standards have 75% lower emissions than conventional carbureted two-stroke engines. These engines are equivalent to the U.S. EPA's 2006 standards for marine engines.



Two Stars Very Low Emission

The two-star label identifies engines that meet the Air Resources Board's Personal Watercraft and Outboard marine engine 2004 exhaust emission standards. Engines meeting these standards have 20% lower emissions than One Star-Low Emission engines.



Three Stars Ultra Low Emission

The three-star label identifies engines that meet the Air Resources Board's Personal Watercraft and Outboard marine engine 2008 exhaust emission standards or the Sterndrive and Inboard marine engine 2003-2008 exhaust emission standards. Engines meeting these standards have 65% lower emissions than One Star-Low Emission engines.



Four Stars Super Ultra Low Emission

The four-star label identifies engines that meet the Air Resources Board's Sterndrive and Inboard marine engine 2009 exhaust emission standards. Personal Watercraft and Outboard marine engines may also comply with these standards. Engines meeting these standards have 90% lower emissions than One Star-Low Emission engines.

Cleaner Watercraft - Get the Facts
1-800-END-SMOG
www.arb.ca.gov

TECHNICAL INFORMATION

Specifications

MODEL	BF2.3D	
Description code	BABC	
Type	SCH	LCH
Overall length	16.2 in (412 mm)	
Overall width	11.2 in (285 mm)	
Overall height	38.0 in (964 mm)	44.0 in (1,117 mm)
Transom height (when transom angle at 5°)	16.5 in (418 mm)	22.5 in (571 mm)
Dry mass [weight]*	30.0 lbs (13.6 kg)	31.5 lbs (14.3 kg)
Rated power	1.7 kW (2.3 HP)	
Full throttle range	5,000 – 6,000 rpm	
Engine type	4 stroke OHV 1 cylinder	
Displacement	3.49 cu-in (57.2 cm ³)	
Spark plug gap	0.024 – 0.028 in (0.6 – 0.7 mm)	
Starter system	Recoil starter	
Ignition system	Transistorized magneto	
Lubrication system	Oil slinger system	
Specified oil	Engine: API standard (SG, SH or SJ oil) SAE/FC-W 10W-30 Gear case: API standard (GL-4) SAE 90 Hypoid gear oil	
Oil capacity	Engine: 0.26 US qt (0.25 L) Gear case: 0.05 US qt (0.05 L)	

* With propeller

CARB star label	ULTRA LOW EMISSION
Cooling system	Engine: Forced air cooling
Exhaust system	Underwater exhaust
Spark plug	LR4C-E (NGK)
Fuel	Unleaded gasoline (86 pump octane or higher)
Tank capacity	0.29 US gal (1.1 L)
Steering equipment	Tiller handle
Steering angle	360°
Transom angle	4 stages (5°, 10°, 15°, 20°)
Tilt up angle (when transom angle at 5°)	75°
Clutch system	Centrifugal clutch

Tuneup

Spark plug gap	0.024 – 0.028 in (0.6 – 0.7 mm)	See page 48
Idle speed	2,000 ± 100 rpm	See shop manual
Valve clearance (cold)	Intake: 0.08 ± 0.02 mm Exhaust: 0.11 ± 0.02 mm	See shop manual
Other specifications	No other adjustment is needed	

Honda outboard motors are power rated in accordance with NMMA procedures and using the ICOMIA standard 28/23.

Dealer Locator Information

To find an authorized Honda Servicing Dealer

For USA:

Visit our website:

<http://marine.honda.com> and click on Find a Dealer

For Canada:

Call 1-888-946-6329 or visit our website:

English

<http://marine.honda.ca/dealerlocator>

French

<http://marine.honda.ca/trouver-concessionnaire>

Honda Publications

These publications will give you additional information for maintaining and repairing your outboard motor.

Shop Manual

This manual covers complete maintenance and overhaul procedures. It is intended to be used by a skilled technician.

For USA:

Shop manuals are available through your Honda Marine dealer or visit [http://marine.honda.com /Service & Support](http://marine.honda.com/Service%20Support) and click on Shop Manuals

For Canada:

Contact your dealer for information on the Shop Manual.

Parts Catalog

For USA:

This manual provides complete, illustrated parts lists.

The catalog is available through your Honda Marine dealer or visit [http://marine.honda.com/Parts & Accessories](http://marine.honda.com/Parts%20Accessories) and click on Look Up Parts

For Canada:

Contact your dealer for information on Parts.

Accessory Catalog

Your authorized Honda Marine dealer offers a wide selection of accessories (optional equipment, oils, and lubricants) to enhance your boating experience.

For USA:

Visit <http://marine.honda.com> and click on PARTS & ACCESSORIES to see the entire catalog of accessories.

For Canada:

Check with your dealer or visit www.honda.ca and select the Parts and Accessories tab under the Honda Marine segment to view the range of accessories available.

CONSUMER INFORMATION

Customer Service Information

Contacting Honda

Your Owner's Manual was written to cover most of the questions you might ask about your Honda. Any questions not answered in the Owner's Manual can be answered by your Honda dealer. If your dealer doesn't have an immediate answer, they should be able to get it for you.

If you have a difference of opinion with your dealer, please remember that each dealership is independently owned and operated. That's why it's important to work to resolve any differences at the dealership level. If the service personnel are unable to assist you, please discuss your concerns with the dealer management such as the Service Manager or the dealership's owner.

If you need to contact Honda regarding your experiences with your Honda product or with your dealer, please contact the Honda office in your region:

American Honda Motor Co., Inc.

Marine Division
Customer Relations Office
4900 Marconi Drive
Alpharetta, GA 30005-8847
Telephone: (770) 497-6400
M-F 9:00 am-7:30 pm (Eastern Time Zone)

In Canada:

Honda Canada Inc.

Customer Relations Department
180 Honda Boulevard
Markham, Ontario L6C 0H9
Tel: 1-888-946-6329 (Toll free)
Fax: 1-877-939-0909 (Toll free)

Please include the following information in your communication:

- Your name, address and telephone number (complete with area code)
- Model and complete serial number
- Date of purchase
- Name and location of selling dealer
- Name and location of servicing dealer (if different)
- A detailed description of your concerns

We will likely ask your Honda dealer to respond, or possibly acknowledge your comments directly.

Warranty Coverage

Your new Honda is covered by the following warranties:

- Distributor's Limited Warranty
- Emission Control System Warranty

Please read the warranty statements contained in this manual. There are responsibilities, restrictions, and exclusions that apply to these warranties.

To obtain warranty service you must take your Honda outboard motor, together with proof of original retail purchase date, at your expense, to a Honda engine dealer or distributor authorized to sell that product in the United States, Puerto Rico, the U.S. Virgin Islands or Canada.

It is important to realize that your warranty applies to defects in material or workmanship of your Honda. Your warranty coverage does not apply to normal wear or deterioration associated with using your Honda outboard motor.

Your warranty coverage will not be voided if you choose to perform your own maintenance. However, you should have the proper tools and service information and be mechanically qualified. Failures that occur due to modifications, improper maintenance, or service are not covered.

Warranty Service

Please remember that recommended maintenance interval servicing is not included in your warranty coverage. Additionally, your warranty does not apply to the normal wear of items (such as spark plug(s), water pump, etc.).

As the owner of a Honda product, your servicing dealer may ask you to authorize an inspection. If the problem is covered under warranty, your dealer will perform any warranty repairs for you at no cost. However, you may be responsible for additional non-warranty charges.

If you have questions about warranty coverage or the nature of the repair, it is best to talk to the service manager of your Honda dealer.

Sometimes, in spite of the best intentions of all concerned, a misunderstanding may occur. If you aren't satisfied with your dealer's handling of the situation, we suggest you discuss your problem with the appropriate member of the dealership's management team. If the problem has already been reviewed with the appropriate manager of the Service, Parts, or Sales department, contact the owner of the dealership or their designated representative.

CONSUMER INFORMATION

Warranty Statements

The American Honda Distributor's Limited Warranty applies to outboards purchased in the United States, Puerto Rico, or the U.S. Virgin Islands. The Honda Canada Distributor's Warranty applies to outboards purchased in Canada. The product warranty is only valid in the country where the product was purchased.

United States, Puerto Rico and U.S. Virgin Islands

Distributor's Limited Warranty

This warranty is limited to Honda Outboard Motors and related original equipment distributed by American Honda Motor Co., Inc., Power Sports and Products Division, 4900 Marconi Drive, Alpharetta, Georgia 30005-8847.

Products Covered by Warranty:	Length of Warranty: (from date of original retail purchase)		
	NON-COMMERCIAL/ NON-RENTAL	COMMERCIAL/RENTAL	STATE/LOCAL/FEDERAL GOVERNMENT
All models purchased on or after Jan. 1, 2016 ⁽²⁾	60 months	24 months	36 months
All models purchased between July 1, 2008 and December 31, 2015 ⁽²⁾	60 months	12 months	24 months
All models purchased on or before June 30, 2008 ⁽¹⁾⁽²⁾	36 months	12 months	24 months
Related original equipment items: BF5 through BF20 models: Portable fuel tank and original propeller. All models: Primer bulb/fuel line assembly and tiller handle.	The same duration as the outboard with which they were purchased. ⁽³⁾		

(1) Models purchased prior to July 1, 2008 (unless previously purchased with True-5 warranty from a participating dealer).

(2) 40, 65, & 105 Jet models: Jet pump assembly is a dealer installed option. Jet pump warranty is provided by Specialty Manufacturing Co. (Outboard Jets).

(3) Portable fuel tanks: 24 months or the same duration as the outboard they were purchased with, whichever is longer.

To Qualify for This Warranty:

The Honda Outboard Motor must be purchased from American Honda or a dealer authorized by American Honda to sell Honda Outboard Motors in the United States, Puerto Rico, or the U.S. Virgin Islands. This limited warranty applies to the first retail purchaser and each subsequent owner during the applicable warranty time period.

What American Honda Will Repair or Replace Under Warranty:

American Honda will repair or replace, at its option, any part that is proven to be defective in material or workmanship under normal use during the applicable warranty time period. Warranty repairs and replacements will be made without charge for parts or labor. Anything replaced under warranty becomes the property of American Honda Motor Co., Inc.

All parts replaced under warranty will be considered as part of the original product and any warranty on those parts will expire coincidentally with the original product warranty.

To Obtain Warranty Service:

You must, at your expense, take your Honda Outboard Motor and proof of the original purchase date to any dealer who is authorized to service Honda Outboard Motors in the United States, Puerto Rico, or the U.S. Virgin Islands, during the dealer's normal business hours. If you are unable to obtain warranty service, or are dissatisfied with the warranty service you receive, take the following steps: First, contact the owner of the dealership involved; normally this should resolve the problem. However, if you should require further assistance, write or call the Honda Marine Customer Relations Department of American Honda Motor Co., Inc. Please see *Contacting Honda* on page 72.

CONSUMER INFORMATION

Exclusions:

This warranty does not extend to the following:

- Conditions caused by lack of routine maintenance or improper storage (as outlined in the owner's manual)
- Conditions caused by the use of propeller (s) that do not allow the outboard motor to run in its recommended full throttle rpm range
- Operation inconsistent with the recommended operation/duty cycle (as outlined in the owner's manual)
- Parts affected or damaged by an abuse, submersion and/or collision
- Fuel contamination and water entering the engine through the fuel intake, air intake, or exhaust system
- Operation with fuels, oils, additives and lubricants which are not suitable for use in the product
- Use in an application for which the outboard motor was not designed, such as racing or competitive use or any other misuse or neglect
- Normal wear and tear
- Incorporation of unsuitable attachments or parts
- The unauthorized alteration, improper installation and/or rigging, or any causes other than defects in material or workmanship
- Corrosion to steering system or electrical components, corrosion due to electrolysis, water born foreign chemicals, improper service or corrosion caused by damage or abuse

- Reimbursement for towing charges, in and out of water charges, or technician travel time
- Growth of marine organisms on motor surfaces, external or internal
- Any product that has ever been declared a total loss or sold for salvage by a financial institution or insurer, or that has been issued a "salvage" or similar title under any state's law.

Disclaimer of consequential damage and limitation of implied warranties:

American Honda disclaims any responsibility for loss of time or use of the outboard, revenue, or the equipment in which the outboard is installed, transportation, commercial loss, or any other incidental or consequential damage. Any implied warranties are limited to the duration of this written limited warranty.

Some states do not allow limitations on how long an implied warranty lasts and/or do not allow the exclusion or limitation of incidental or consequential damages, so the above exclusions and limitations may not apply to you. This warranty gives you specific legal rights, and you may also have other rights which vary from state to state.

CONSUMER INFORMATION

Accessories and Replacement Parts

This warranty is limited to Honda Marine parts, accessories and apparel when distributed by American Honda Motor Co., Inc., 4900 Marconi Drive, Alpharetta, Georgia 30005-8847.

Products Covered by Warranty:	Length of Warranty: (from date of original retail purchase)		
	NON-COMMERCIAL	COMMERCIAL/RENTAL	STATE/LOCAL/FEDERAL GOVERNMENT
Accessories other than noted below	12 months	3 months	3 months
Emission related accessories: Portable fuel tanks, fuel line assemblies, and water/fuel separators	24 months	24 months	24 months
Replacement Parts	6 months	3 months	3 months

To Qualify for This Warranty:

1. The accessories or replacement parts must be purchased from American Honda or a dealer, distributor, or distributor’s dealer authorized by American Honda to sell those products in the United States, Puerto Rico, and the U.S. Virgin Islands. Parts and Accessories must be purchased for installation on original Honda equipment or engines to be eligible for warranty coverage. Installing Parts and Accessories on non-Honda products or engines voids this warranty.
2. You must be the first retail purchaser. This warranty is not transferable to subsequent owners.

What American Honda Will Repair or Replace Under Warranty:

American Honda will repair or replace, at its option, any

marine product accessories or replacement parts that are proven to be defective in material or workmanship under normal use during the applicable warranty time period. Anything replaced under warranty becomes the property of American Honda Motor Co., Inc. All parts replaced under warranty will be considered as part of the original product and any warranty on those parts will expire coincidentally with the original product warranty.

Accessories and replacement parts, installed by a dealer who is authorized by American Honda to sell them, will be repaired or replaced under warranty without charge for parts or labor. If installed by anyone else, accessories and replacement parts will be repaired or replaced under warranty without charge for parts, but any labor charges will be the responsibility of the purchaser.

CONSUMER INFORMATION

To Obtain Warranty Service:

You must, at your expense, take the Honda Outboard Motor product accessory or replacement part or the outboard motor or boat on which the accessory or replacement part is installed, and proof of purchase to any Honda Marine authorized service facility or dealer in the United States, Puerto Rico, or the U.S. Virgin Islands, during normal business hours.

Exclusions:

This warranty does not extend to accessories or parts affected or damaged by collision, normal wear, use in an application for which the product was not designed or any other misuse, neglect, incorporation or use of unsuitable attachments or parts, unauthorized alteration, improper installation, or any causes other than defects in material or workmanship of the product.

Installing parts and accessories on non-Honda products or engines voids this warranty.

Disclaimer of consequential damage and limitation of implied warranties:

American Honda disclaims any responsibility for loss of time or use of the outboard motor, or the boat on which the product is installed, transportation, commercial loss, or any other incidental or consequential damage. Any implied warranties are limited to the duration of this written warranty. Some states do not allow limitations on

how long an implied warranty lasts and/or do not allow the exclusion or limitation of incidental or consequential damages, so the above exclusions and limitations may not apply to you. This warranty gives you specific legal rights, and you may also have other rights, which vary from state to state.

Emission Control System Warranty

Your new Honda outboard engine complies with both the U.S. EPA and State of California emission regulations. American Honda provides the same emission warranty coverage for outboard engines sold in all 50 states. In all areas of the United States your outboard engine must be designed, built, and equipped to meet the U.S. EPA and California Air Resources Board emission standard for spark ignited marine engines.

CALIFORNIA EMISSIONS CONTROL SYSTEM WARRANTY STATEMENT YOUR WARRANTY RIGHTS AND OBLIGATIONS

The California Air Resources Board (CARB) and American Honda Motor Co., Inc. are pleased to explain the emission control system warranty on your 2024 Honda outboard engine. In California, new outboard engines must be designed, built, and equipped to meet the state’s stringent anti-smog standards.

American Honda Motor Co., Inc. must warrant the emission control system on your outboard engine for the periods of time listed below provided there has been no abuse, neglect, or improper maintenance of your outboard engine.

Your emission control system may include parts such as the carburetor or fuel injection system, the ignition system, catalytic converter, canisters, clamps, filters, fuel caps, fuel lines, fuel tanks, valves, and vapor hoses. Also included may be hoses, belts, connectors, and other emission-related assemblies.

Where a warrantable condition exists, American Honda Motor Co., Inc. will repair your outboard engine at no cost to you including diagnosis, parts, and labor.

CONSUMER INFORMATION

MANUFACTURER'S WARRANTY COVERAGE:

Select emission control parts from model year 2010 and later outboard engines are warranted for five years or 250 hours of use, whichever first occurs; or the length of the *Honda Marine Distributor's Limited Warranty*, whichever is longer. The evaporative emission control system from model year 2010 and later outboard engines are warranted for two years with no limit on hours of use, or the length of the *Honda Marine Distributor's Limited Warranty*, whichever is longer, from the date of delivery to the retail purchaser. However, warranty coverage based on the hourly period is only permitted for engines equipped with hour meters as defined in § 2441(a)(13)* or their equivalent. If any emission-related part on your engine is defective under warranty, the part will be repaired or replaced by American Honda Motor Co., Inc. See the *Emission Control System Warranty Parts* table on page 83 for parts description.

* California Code of Regulations.

OWNER'S WARRANTY RESPONSIBILITIES:

As the outboard engine owner, you are responsible for the performance of the required maintenance listed in your owner's manual. American Honda Motor Co., Inc. recommends that you retain all receipts covering maintenance on your outboard engine, but American Honda Motor Co., Inc. cannot deny warranty solely for the lack of receipts or your failure to ensure the performance of all scheduled maintenance.

As the outboard engine owner, you should, however, be aware that American Honda Motor Co., Inc. may deny you warranty coverage if your outboard engine or a part has failed due to abuse, neglect, improper maintenance, or unapproved modifications.

You are responsible for presenting your outboard engine to a Honda Marine dealer as soon as a problem exists. The warranty repairs will be completed in a reasonable amount of time, not to exceed 30 days.

If you have any questions regarding your warranty rights and responsibilities, you should contact

American Honda Motor Co., Inc.
Marine Division Customer Relations Office
4900 Marconi Drive
Alpharetta, Georgia 30005-8847
Telephone: (770) 497-6400

WARRANTY COVERAGE:

See *Manufacturer's Warranty Coverage* above for warranty coverage terms. This warranty is transferred to each subsequent purchaser for the duration of the warranty period.

Warranty repairs will be made without charge for diagnosis, parts, and labor. All defective parts replaced under this warranty become the property of American Honda Motor Co., Inc. A list of warranty parts is on page 83. Normal maintenance items, such as spark plugs and filters, that are on the warranted parts list are warranted up to their required replacement interval only.

American Honda Motor Co., Inc. is also liable for damages to other engine components caused by a failure of any warranted part during the warranty period.

Only Honda approved replacement parts will be used in the performance of any warranty repairs, and they will be provided without charge to the owner. You may use any replacement part as defined in § 1900(b)(20)* in the performance of any maintenance or repairs. Honda cannot deny coverage under the emission warranty solely for use of non-Honda replacement parts or service performed at a location other than an authorized Honda dealership; however, use of a part that is not functionally identical to the original equipment part in any respect that may in any way affect emissions (including durability) could result in denial of coverage. If a non-Honda replacement part is used in the repair or maintenance of your engine, and an authorized Honda Marine dealer determines it causes the failure of a warranted part, your warranty claim may be denied. If the part in question is not related to the reason that your engine requires repair, your claim will not be denied.

* California Code of Regulations

CONSUMER INFORMATION

TO OBTAIN WARRANTY SERVICE:

You must take your Honda outboard engine, along with your sales registration card or other proof of original purchase date, at your expense, to any Honda Marine dealer that is authorized by American Honda Motor Co., Inc. to sell and service that Honda marine product during its normal business hours. Claims for repair or adjustment found to be caused solely by defects in material or workmanship will not be denied because the engine was not properly maintained and used.

If you are unable to obtain warranty service, or are dissatisfied with the warranty service you received, contact the owner of the dealership involved.

Normally this should resolve your problem. However, if you require further assistance, write or call the Honda Marine Customer Relations Office of American Honda Motor Co., Inc.

EXCLUSIONS:

Failures other than those resulting from defects in material or workmanship are not covered by this warranty. This warranty does not extend to emission control systems or parts which are affected or damaged by owner abuse, neglect, improper maintenance, misuse, misfueling, improper storage, and/or collision, the incorporation of, or use of, unsuitable attachments, or the unauthorized alteration of any part. This warranty does not cover replacement of expendable maintenance items made in connection with required maintenance service after the items first scheduled replacement as listed in the maintenance section of the product owner's manual, such as: spark plugs and filters.

DISCLAIMER OF CONSEQUENTIAL DAMAGE AND LIMITATION OF IMPLIED WARRANTIES:

American Honda Motor Co., Inc. disclaims any responsibility for incidental or consequential damages such as loss of time or the use of outboard engine, or any commercial loss due to the failure of the equipment; and any implied warranties are limited to the duration of this written warranty. This warranty is applicable only where the California or U.S. EPA emission control system warranty regulation is in effect.

CONSUMER INFORMATION

EMISSION CONTROL SYSTEM WARRANTY PARTS:

SYSTEMS COVERED BY THIS WARRANTY:	PARTS DESCRIPTION:	LENGTH OF WARRANTY:
Evaporative	Portable fuel tank, Outboard internal fuel tank, Fuel cap, Fuel hoses, Primer bulb, Fuel hose joint, Vapor separator, and Carbon canister, All other parts not listed that may affect the evaporative emissions control system	Five years or 250 hours of use, whichever first occurs; or the length of the <i>Honda Distributor's Limited Warranty</i> , whichever is longer.
Fuel Metering	Carburetor assembly, Throttle body, Fuel injector, Fuel pump, Fuel pressure regulator, Throttle position sensor, Intake air temperature sensor, Engine temperature sensor, Manifold absolute pressure sensor, Idle air control valve, Barometric pressure sensor, Fuel line solenoid valve, Intake manifold, Intake valves, and Oxygen sensor or Air fuel ratio sensor	
Air Induction	Air intake duct, Intake manifold tuning valve (Intake air bypass control valve)	
Ignition	Flywheel magneto, Ignition pulse generator, Ignition coil assembly, Ignition control module, Engine control module, Crankshaft position sensor, Spark plug cap, Spark plug*, Knock sensor, and Camshaft position sensor	
Lubrication System	Oil pump and internal parts	
Crankcase Emission Control	Crankcase breather tube, Positive crankcase ventilation valve, Oil filler cap	
Exhaust	Exhaust manifold and Exhaust valves	
Valve Control System	Rocker arm oil control valve	
Miscellaneous Parts	Tubing, fittings, seals, gaskets, and clamps associated with these listed systems.	
* Covered up to the first required replacement only. See the <i>Maintenance Schedule</i> on page 40 and 41.		

CONSUMER INFORMATION

Canada

Distributor's Warranty

HONDA CANADA INC., for and on behalf of Honda Motor Co. Ltd., Tokyo, Japan, gives the following written warranty on each new marine product manufactured by Honda Motor Co. Ltd., Japan, distributed in Canada by Honda Canada Inc. and sold by authorized Honda Marine dealers.

Whenever used herein, the word "Honda" refers to Honda Canada Inc. and/or Honda Motor Co. Ltd., as appropriate from the context.

HONDA WARRANTS THAT each new Honda Marine product will be free, under normal use and maintenance, from any defects in material or workmanship for the relevant warranty period set forth below. If any defects should be found in a Honda Marine product within the relevant warranty period, necessary repairs and replacements with a new part or the Honda equivalent shall be made at no cost to the consumer for parts and labour, when Honda acknowledges that such defects are attributable to faulty material or workmanship at the time of manufacture.

WARRANTY PERIOD RETAILED ON OR AFTER APRIL 1, 2005:

	Non-commercial use	Commercial use
All Honda Outboard Models	36 Months	12 Months

THIS WARRANTY COVERS

- a) Any Honda Marine product purchased in Canada from an authorized Honda dealer which has been registered at the time of purchase on a form provided by Honda, which has had set-up and pre-delivery service performed by an authorized Honda dealer and which is normally operated in Canada;
- b) Any factory installed part (except normal maintenance parts referred to in "THIS WARRANTY DOES NOT COVER"); and
- c) Any marine product on which required maintenance services have been performed as prescribed in the Owner's Manual.

THIS WARRANTY DOES NOT COVER

- a) Any repairs required as a result of collision, accident, striking any object, misuse or lack of required maintenance;
- b) Any repairs required as a result of any attachments, parts or devices installed by or repairs done by a party other than an authorized Honda dealer;
- c) Any outboard that has been operated out of water, (Run Dry) damaging the water pump and or engine components due to insufficient cooling water.
- d) Any marine products modified, altered, disassembled or remodelled;
- e) Normal maintenance services, including tightening of nuts, bolts and fittings and engine tune-up and the replacement of parts made in connection with normal maintenance services including filters, spark plugs and wires, fuses, belts, lubricants and other expendables susceptible to natural wear;
- f) Outboard propeller or shear pin.
- g) All accessories or attachments.

THE OWNER'S OBLIGATION

In order to maintain the validity of this DISTRIBUTORS WARRANTY, the required maintenance services as set forth in the Owner's Manual must be performed at the proper intervals and detailed receipts and records retained as proof.

TO OBTAIN WARRANTY SERVICE

You must take your Honda Marine product, at your expense, during normal service hours, to any authorized Honda Marine dealership. If you are unable to obtain or are dissatisfied with the warranty service you receive, first contact the owner of the dealership involved; this should resolve the problem. If you require further assistance, contact Honda Canada's Customer Relations Department at:

HONDA CANADA INC.
Customer Relations Department
180 Honda Boulevard
Markham, Ontario L6C 0H9
Tel: 1-888-946-6329 (Toll free)
Fax: 1-877-939-0909 (Toll free)
E-mail: honda_cr@ch.honda.com

CONSUMER INFORMATION

REPLACEMENT PARTS AND ACCESSORY WARRANTY

New genuine Honda replacement parts or accessories sold to a consumer or installed by an authorized Honda Marine dealer which are not covered by the DISTRIBUTORS WARRANTY are warranted for a period of one year from date of purchase, provided, however, that this Replacement Parts and Accessory Warranty does not apply to any replacement parts modified, used with, or installed on a marine product for which the replacement parts were not intended. Electrical components that are not installed by the dealer (sold over the counter) are not covered by warranty.

ENTIRE WRITTEN WARRANTY

This DISTRIBUTORS WARRANTY and the REPLACEMENT PARTS AND ACCESSORY WARRANTY are the only and the entire written warranties given by Honda for Marine engines. No dealer or his agent or employee is authorized to extend or enlarge on these warranties on behalf of Honda by any written or verbal statement or advertisement.

DISCLAIMER

To the extent the law permits, Honda disclaims any responsibility for loss of time or use of the product, transportation or towing costs or any other indirect, incidental or consequential damage, inconvenience or commercial loss.

NOTICE TO CONSUMER

The provisions contained in these written warranties are not intended to limit, modify, take away from, disclaim or exclude any warranties set forth in or the operation of The Consumer Products Warranties Act, 1977 (Saskatchewan), The Consumer Product Warranty and Liability Act (New Brunswick), The Consumer Protection Act (Quebec), or any other similar provincial or federal legislation.

INDEX

Anode	18	EMERGENCY STARTING	28
Replacement	52	Emergency Stop Switch Clip and	
ARE YOU READY TO GET UNDERWAY?	22	Emergency Stop Switch	13
ATTACHMENT	20	Emission Control System Information	66
		Emission Control System Warranty	79
BEFORE OPERATION	22	Engine	
BREAK-IN PROCEDURE	24	Cover	
		REMOVAL AND INSTALLATION	42
Carburetor Modification for High Altitude		Retaining Strap	15
Operation	65	Oil	
Centrifugal Clutch	17	Change	44
Choke Knob	13	Level Check	42
Clamp Screws	17	Level Inspection Window	18
COMPONENT AND CONTROL LOCATIONS	12	Recommendations	45
CONSUMER INFORMATION	71	ENGINE WILL NOT DRIVE THE PROPELLER	61
CONTROL AND FEATURE IDENTIFICATION		ENGINE WILL NOT START	59
CODES	11		
CONTROLS	13	Fuel	
CONTROLS AND FEATURES	11	Filler Cap Vent Knob	17
CRUISING	34	RECOMMENDATIONS	51
Customer Service Information	72	Valve Lever	14
Dealer Locator Information	71	Gear Case Oil Change	46
Distributor's Limited Warranty	74		
Distributor's Warranty	84	HARD STARTING OR STALLS AFTER	
		STARTING	60
		Honda Publications	71

INDEX

IMPORTANT SAFETY INFORMATION	6	SAFE OPERATING PRECAUTIONS	24
INFREQUENT OR OCCASIONAL USE	25	SAFETY LABEL LOCATIONS	8
INSTALLATION	19	Serial Number Locations	64
INSTALLATION POSITION	19	SERVICING YOUR OUTBOARD MOTOR	37
IS YOUR OUTBOARD MOTOR		Spark Plug Service	48
READY TO GO?	22	Specifications	70
		Star Label	68
Lubrication Points	47	Starter Grip	15
		STARTING THE ENGINE	25
MAINTENANCE SAFETY	38	STEERING	33
MAINTENANCE SCHEDULE	40	Steering Friction Bolt	16
MOORING, BEACHING, LAUNCHING	35	STOPPING THE ENGINE	
		Emergency Engine Stopping	30
OPERATION	24	Normal Engine Stopping	30
OTHER FEATURES	17	STORAGE	54
OUTBOARD MOTOR SAFETY	6	STORAGE PRECAUTIONS	56
		STORAGE PREPARATION	54
POWER REQUIREMENTS	19	Adding a Fuel Stabilizer	55
Propeller Replacement	53	Cleaning	54
		Draining the Fuel Tank and Carburetor	56
Recoil Starter Rope Inspection	52	Engine Oil	56
REFUELING	50	Fuel	54
REMOVAL FROM STORAGE	57	SUBMERGED OUTBOARD MOTOR	62
REVERSING THE OUTBOARD MOTOR	32		

TAKING CARE OF UNEXPECTED PROBLEMS	59
TECHNICAL INFORMATION	64
THE IMPORTANCE OF MAINTENANCE	37
Throttle Grip	14
Throttle Grip Friction Knob	14
THROTTLE OPERATION	31
Tilt Lever	16
TOOL KIT AND EMERGENCY STARTER ROPE	39
Transom Angle Adjusting Bolt	15
TRANSOM ANGLE ADJUSTMENT	24
TRANSPORTING	58
WITH OUTBOARD MOTOR INSTALLED	
ON BOAT	58
WITH OUTBOARD MOTOR REMOVED	
FROM BOAT	58
Warranty Statements	74

MEMO

MEMO

MEMO

HONDA

31ZVA612
00X31-ZVA-6120



XXXX.XXXX.XX
Printed in China