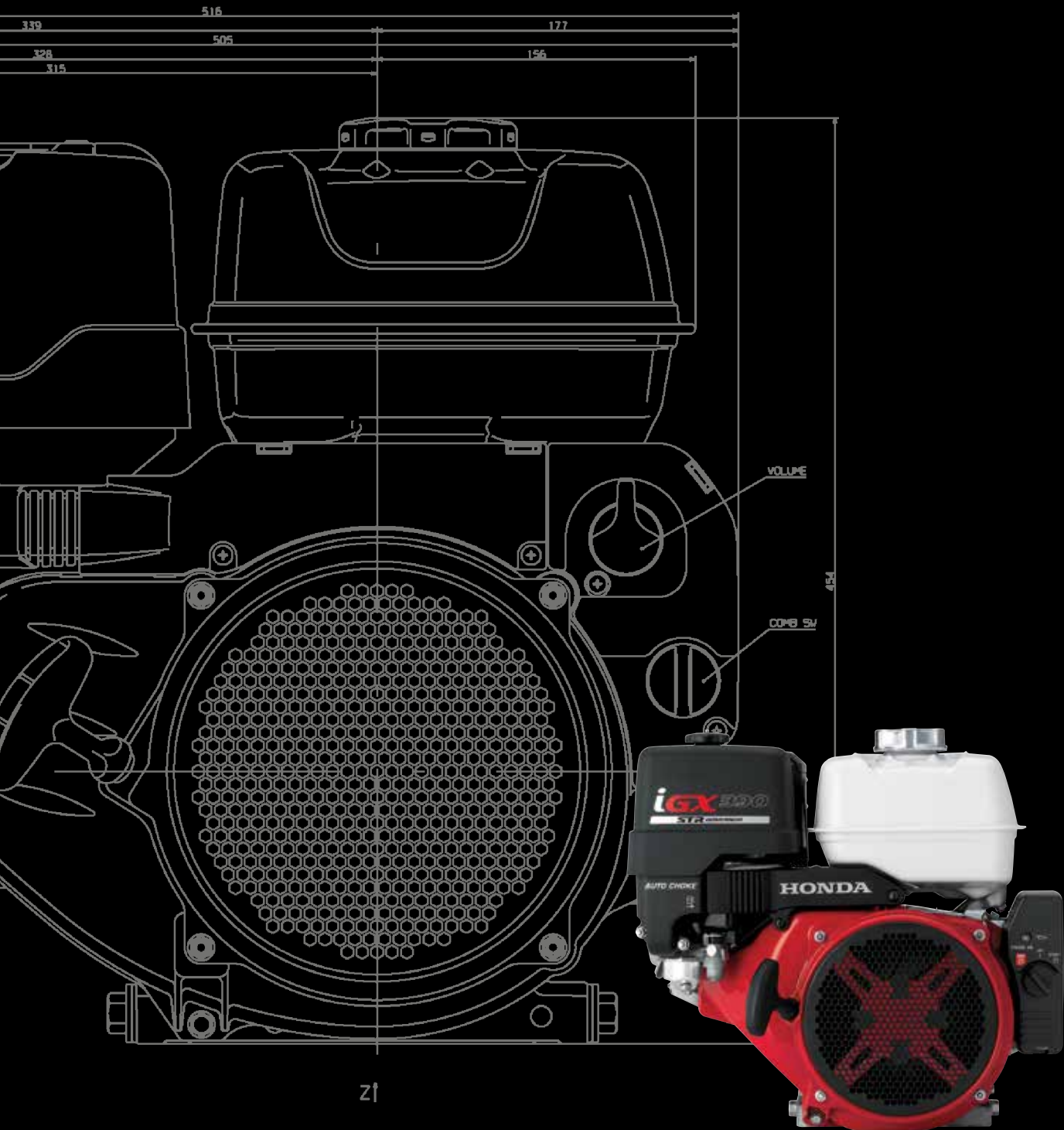


HONDA

iGX Series Engines



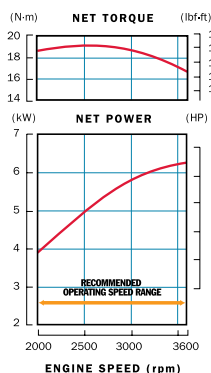


Honda takes intelligence to a whole new level.

Honda's innovative iGX Series engines are a new generation of intelligent computer-controlled general purpose engines. Honda iGX engines feature an integrated ECU (electronic control unit) with a self-tuning regulator (STR) governor system that allows the engine to communicate with the machine it is powering to achieve optimal performance. The ECU enables drive-by-wire remote control operation of the engine's regulating functions such as starting, throttle, ignition timing and diagnostics. Therefore, engine speed can be programmed and varied based on the equipment application's load and speed requirement.

With their multi-function design, iGX engines are the ultimate choice for complex commercial and residential power equipment applications.

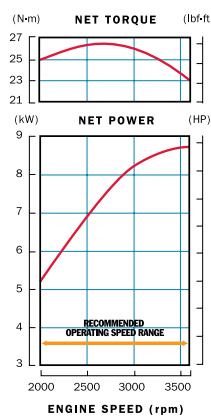
iGX270



Engine Type	Air-cooled, 4-Stroke, OHV, single cylinder
Bore x Stroke	3.0" x 2.3" (77 x 58 mm)
Displacement	16 cu in (270 cm ³)
Compression Ratio	8.5 : 1
Net Power (kW/rpm)*	8.4 hp (6.3 kW) at 3,600 rpm
Net Torque*	14.1 lbs ft (19.1 Nm) at 2,500 rpm
PTO Shaft Rotation	Counterclockwise (from PTO shaft side)
Ignition System	Digital CDI with variable ignition timing
Starting System	Electric Starter
Carburetor	Float type - Horizontal Butterfly
Lubrication System	Splash
Governor System	Electric STR (Self Tuning)
Air Cleaner	Dual Element
Oil Capacity	1.16 US qt (1.1 L)
Fuel Tank Capacity (liter)	5.6 US qt (5.3 L)
Evaporative Emissions	Low permeation hose and purge joint provided
Exhaust Emissions	Certified for use in all 50 states
Dimensions (L x W x H) Q-Shaft	15.0" (380 mm) L 16.9" (429 mm) W 16.6" (422 mm) H
Dry Weight	55 lbs (25.0 kg)



iGX390



Engine Type	Air-cooled, 4-Stroke, OHV, single cylinder
Bore x Stroke	3.5" x 2.5" (88 x 64 mm)
Displacement	24 cu in (389 cm ³)
Compression Ratio	8.2 : 1
Net Power (kW/rpm)*	11.7 hp (8.7 kW)
Net Torque*	19.5 lbs ft (26.4 Nm)
PTO Shaft Rotation	Counterclockwise (from PTO shaft side)
Ignition System	Digital CDI with variable ignition timing
Starting System	Electric Starter
Carburetor	Float type - Horizontal Butterfly
Lubrication System	Splash
Governor System	Electric STR (Self Tuning)
Air Cleaner	Dual Element
Oil Capacity	1.16 US qt (1.1 L)
Fuel Tank Capacity (liter)	6.1 US qt (6.1 L)
Evaporative Emissions	Low permeation hose and purge joint provided
Exhaust Emissions	Certified for use in all 50 states
Dimensions (L x W x H) Q-Shaft	16.0" (407 mm) L 19.1" (485 mm) W 17.7" (449 mm) H
Dry Weight	82 lbs (37.0 kg)



* The power rating of the engines indicated in this document measures the net power output at 3600 rpm and net torque at 2500 rpm, as tested on a production engine. Mass production engines may vary from this value. Actual power output for the engine installed in the final machine will vary depending on numerous factors, including the operating speed of the engine in application, environmental conditions, maintenance and other variables.

Honda Engine Distributors

ALABAMA

MTA DISTRIBUTORS
SEE TENNESSEE

ALASKA

SCOTSCO, INC.
SEE OREGON

ARIZONA

TRU-POWER, INC.
SEE SOUTHERN CALIFORNIA

ARKANSAS

LIGHTBOURN EQUIPMENT
SEE TEXAS

CALIFORNIA

Northern California
PACE WEST, INC.
www.pacelink.com
5850 Adler Circle
Sacramento, CA 95828
(734) 453-6258
FAX (916) 383-6550
pace@pacelink.com

Southern California
MTA DISTRIBUTORS SEE
TENNESSEE

COLORADO

ANDERSON INDUSTRIAL
ENGINES
SEE NEBRASKA

CONNECTICUT

EASTERN EQUIPMENT, INC.
SEE NEW HAMPSHIRE

DELAWARE

TIDEWATER
SEE VIRGINIA

DISTRICT OF COLUMBIA

TIDEWATER
SEE VIRGINIA

FLORIDA

MTA DISTRIBUTORS
SEE TENNESSEE

GEORGIA

MTA DISTRIBUTORS
SEE TENNESSEE

HAWAII

SCOTSCO, INC.
SEE OREGON

IDAHO

SCOTSCO, INC.
SEE OREGON

ILLINOIS

PACE, INC.
SEE MICHIGAN

INDIANA

PACE, INC.
SEE MICHIGAN

IOWA

IOWA POWER PRODUCTS
www.iowapower.com
522 Brooks Road
Iowa Falls, IA 50126
(641) 648-2507
FAX (641) 648-5013
iowapower@iowapower.com

KANSAS

ANDERSON
INDUSTRIAL ENGINES
www.ai-engines.com
80 S. James Street
Kansas City, KS 66118
(913) 321-7040
Fax (913) 321-7341
info@ai-engines.com

KENTUCKY

MTA DISTRIBUTORS
SEE TENNESSEE

*Northern Kentucky/
Cincinnati area*
HAYWARD DISTRIBUTING
SEE OHIO

LOUISIANA

LIGHTBOURN EQUIPMENT
SEE TEXAS

MAINE

EASTERN EQUIPMENT, INC.
SEE NEW HAMPSHIRE

MARYLAND

TIDEWATER
SEE VIRGINIA

MASSACHUSETTS

EASTERN EQUIPMENT, INC.
SEE NEW HAMPSHIRE

MICHIGAN

PACE, INC.
www.pacelink.com
739 South Mill
Plymouth, MI 48170
(734) 453-6258
FAX (734) 453-5320
pace@pacelink.com

Northern Michigan
ENGINE POWER INC.
SEE WISCONSIN

MINNESOTA

GREAT NORTHERN
EQUIP. DIST.
www.gnedi.com
20195 South Diamond Lake Rd.
Rogers, MN 55374
(763) 428-2237
FAX (763) 428-4821
chrisb@gnedi.com

MISSISSIPPI

MTA DISTRIBUTORS
SEE TENNESSEE

MISSOURI

ANDERSON
INDUSTRIAL ENGINES
SEE KANSAS

MONTANA

SCOTSCO, INC.
SEE OREGON

NEBRASKA

ANDERSON
INDUSTRIAL ENGINES
www.ai-engines.com
13423 Lynam Drive
Omaha, NE 68138
(402) 558-8700
FAX (402) 558-8249
info@ai-engines.com

NEVADA

PACE WEST, INC.
SEE NORTHERN CALIFORNIA

TRU-POWER, INC.
SEE SOUTHERN CALIFORNIA

NEW HAMPSHIRE

EASTERN EQUIPMENT, INC.
www.easternequipmentinc.com
6 "B" Street
Derry, NH 03038
(603) 437-0407
FAX (603) 437-0815
gmiscoeastern@aol.com

NEW JERSEY

TIDEWATER
SEE VIRGINIA

NEW MEXICO

LIGHTBOURN EQUIPMENT
SEE TEXAS

NEW YORK

EASTERN EQUIPMENT, INC.
SEE NEW HAMPSHIRE

NORTH CAROLINA

TIDEWATER
SEE VIRGINIA

NORTH DAKOTA

GREAT NORTHERN
EQUIPMENT
SEE MINNESOTA

OHIO

HAYWARD DISTRIBUTING
www.haydist.com
4061 Perimeter Drive
Columbus, OH 43228
(614) 272-5953
FAX (614) 272-5959
mbudde@haydist.com

North Western Ohio

PACE, INC.
SEE MICHIGAN

OKLAHOMA

LIGHTBOURN EQUIPMENT
SEE TEXAS

OREGON

SCOTSCO, INC.
www.scotsco.com
16750 SE Kens Ct.
Milwaukie, OR 97267
(503) 653-7791
FAX (503) 653-7838
tfrandsen@scotsco.com

PENNSYLVANIA

HAYWARD DISTRIBUTING
SEE OHIO

RHODE ISLAND

EASTERN EQUIPMENT, INC.
SEE NEW HAMPSHIRE

SOUTH CAROLINA

TIDEWATER
SEE VIRGINIA

SOUTH DAKOTA

GREAT NORTHERN
EQUIPMENT
SEE MINNESOTA

TENNESSEE

MTA DISTRIBUTORS
www.mtadistributors.com
555 Hickory Hills Blvd.
Whites Creek, TN 37189-9244
(615) 299-8777
FAX (615) 299-0464
customerservice
@mtadistributors.com

TEXAS

LIGHTBOURN EQUIPMENT
www.lightbourneequipment.com
13655 Welch Road
Dallas, TX 75244
(972) 233-5151
FAX (972) 661-0738
sales@lightbourneequipment.com

UTAH

PACE WEST, INC.
SEE NORTHERN CALIFORNIA

VERMONT

EASTERN EQUIPMENT, INC.
SEE NEW HAMPSHIRE

VIRGINIA

TIDEWATER POWER
EQUIP. CO.
www.tpeco.com
3760 East Virginia Beach Blvd.
Norfolk, VA 23502
(757) 464-1755
FAX (800) 288-8953
info@tpeco.com

WASHINGTON

SCOTSCO, INC.
SEE OREGON

WEST VIRGINIA

HAYWARD DISTRIBUTING
SEE OHIO

WISCONSIN

ENGINE POWER, INC.
www.enginepower.com
1830 Executive Drive
Oconomowoc, WI 53066
(262) 567-8575
FAX (262) 567-2556
postoff@enginepower.com

WYOMING

ANDERSON
INDUSTRIAL ENGINES
SEE NEBRASKA

Honda. The largest manufacturer of gasoline engines in the world.



GC SERIES



GS SERIES



GX SERIES



iGX SERIES



V-TWIN SERIES



MINI 4-STROKE SERIES



iGX V-TWIN SERIES

HONDA

Visit us at engines.honda.com

For optimum performance and safety we recommend you read the owner's manual before operating your Honda Power Equipment. Specifications subject to change without notice.

All images contained herein are either owned by American Honda Motor Co., Inc., or used under a valid license. It is a violation of federal law to reproduce these images without express written permission from American Honda Motor Co., Inc., or the individual copyright owner of such images. All rights reserved. Honda, the Honda Engines logo, Honda engine model names and their trade dress are trademarks of Honda Motor Co., Ltd. used under license from American Honda Motor Co., Inc. Many Honda engine and vehicle model names, and associated trade dress may be seen at www.honda.com. ©2015-2019 American Honda Motor Co., Inc.

