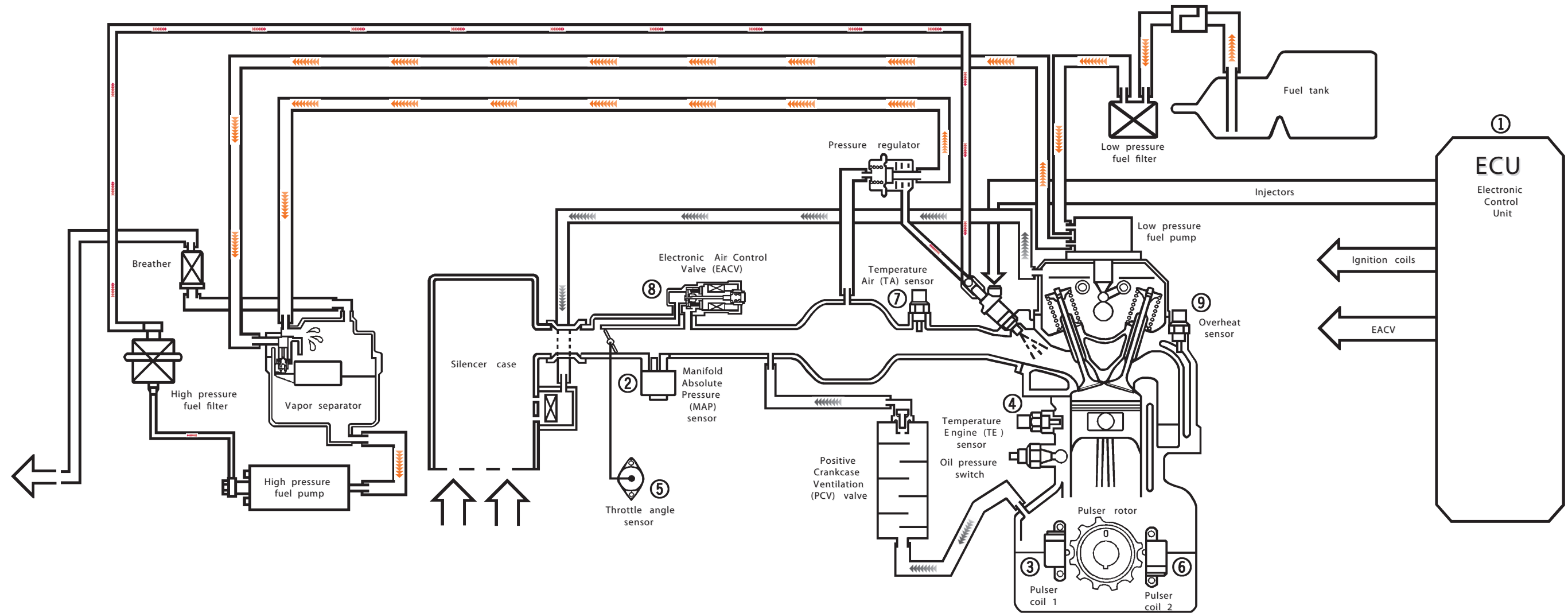
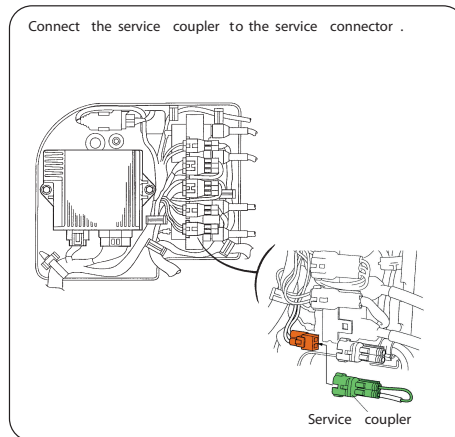




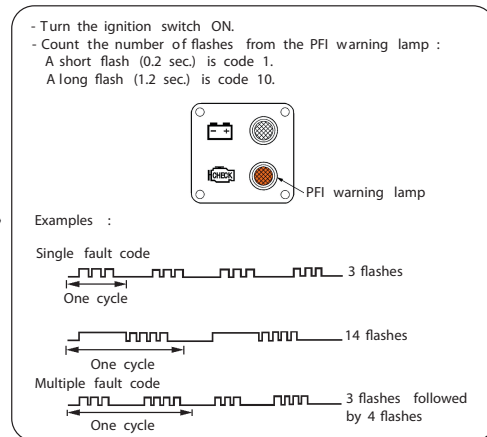
# BF115A/BF130A PROGRAMMED FUEL INJECTION



## SELF-DIAGNOSIS FUNCTION



## WARNING LAMP INDICATION



## TROUBLE CODE

No.	PFI warning lamp flashes	Item	Symptom
①	No flash	Warning lamp	Bulb failure
	Continuous flash	ECU	Engine does not start
②	3	MAP sensor	Engine does not start / Poor engine response
	4	Pulser coil 1	Poor acceleration / Wet spark plug / Engine stalls
③	4	TE sensor	Engine does not start / Engine stalls
④	6	TA sensor	Engine does not start when cold / Abnormal high engine speed when warming up
⑤	7	Throttle angle sensor	Engine does not start when cold / Poor acceleration when cold / Poor acceleration
⑥	8	Pulser coil 2	Engine does not start / Engine stalls
⑦	10	TA sensor	Improper idle speed when very cold
⑧	14	EACV	Idle speed too low
⑨	24	Overheat sensor	Overheat warning ON / Engine speed drops suddenly

## ECU RESET METHOD

