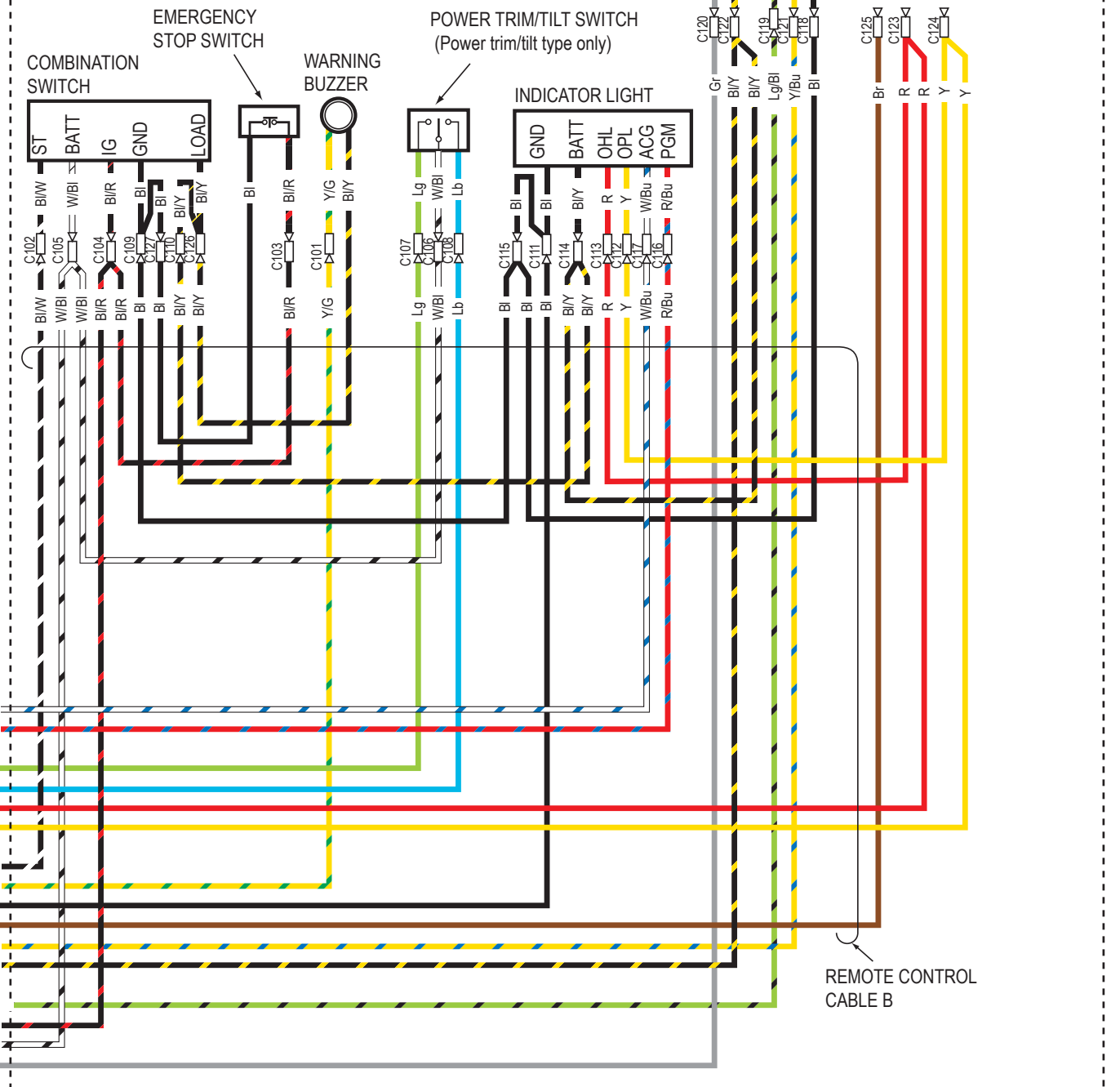
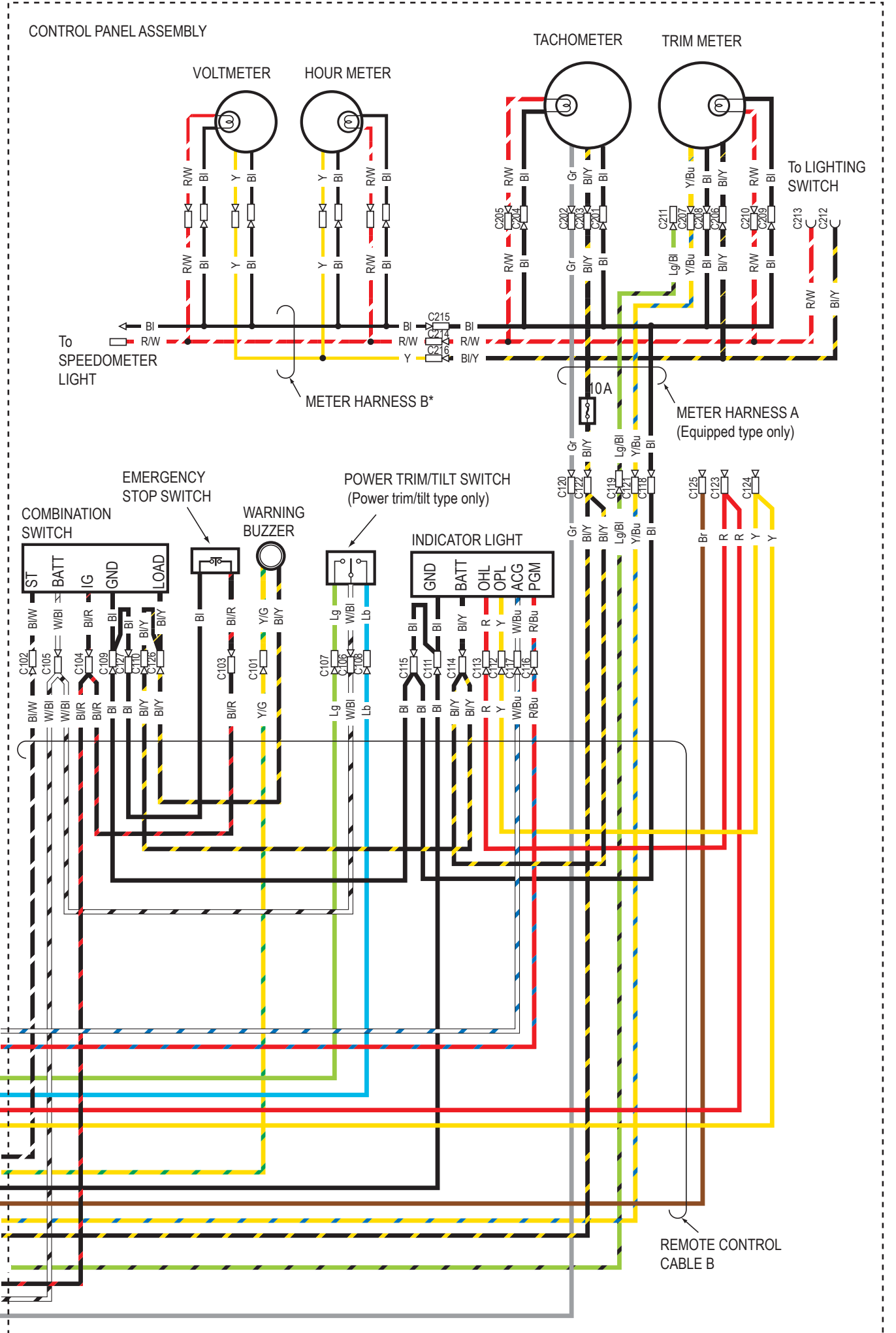
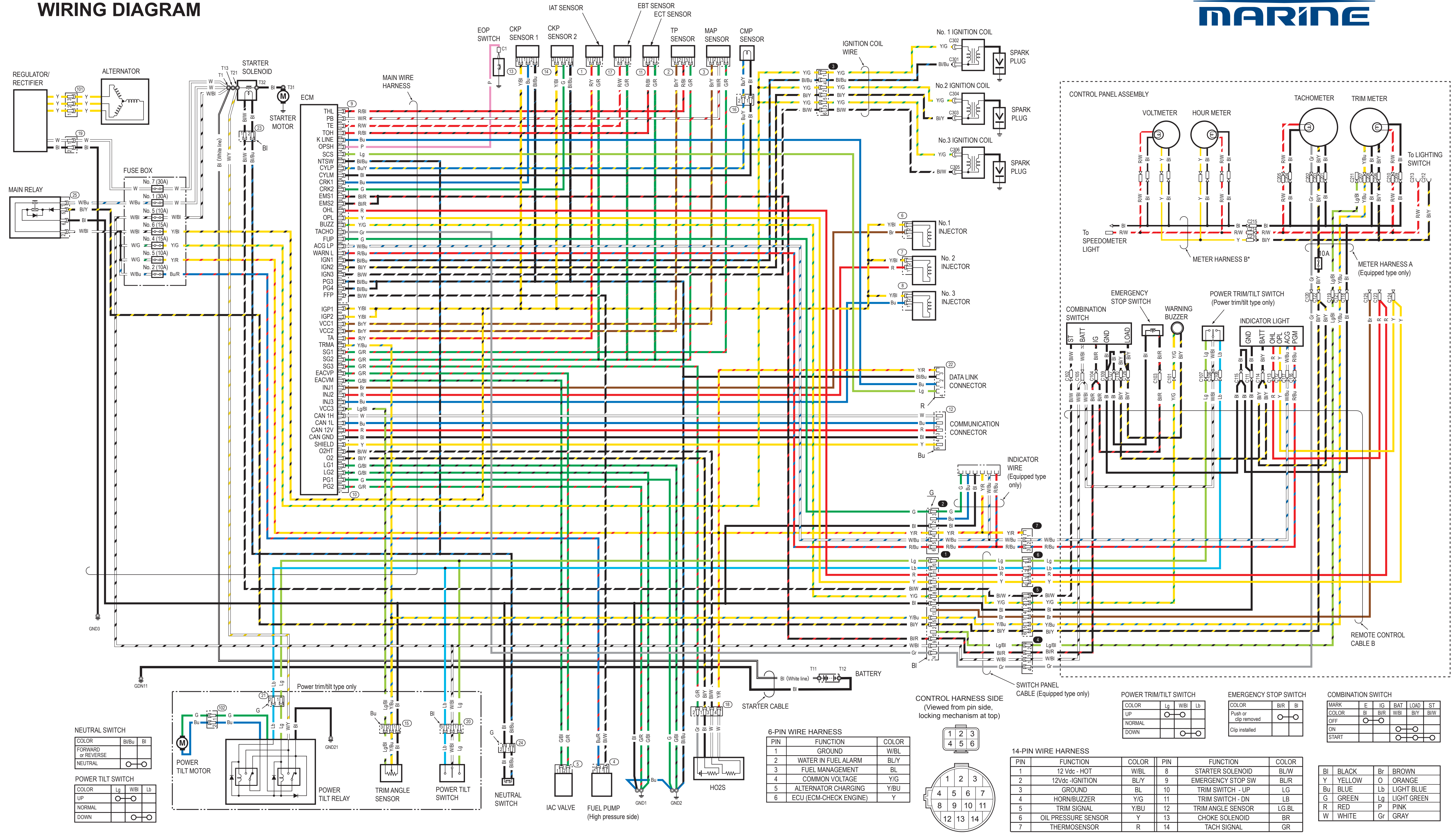


BF40D • BF50D REMOTE CONTROL TYPE WIRING DIAGRAM

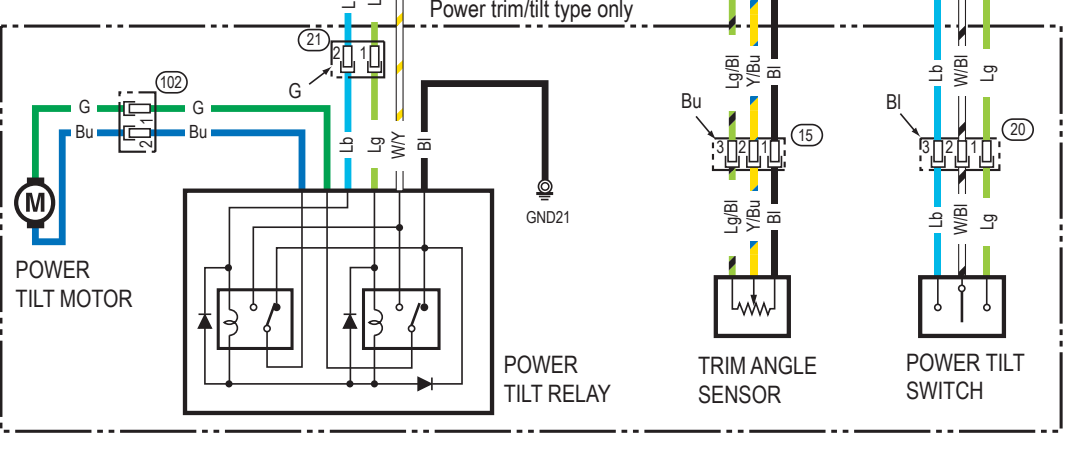


NEUTRAL SWITCH

COLOR	Bl/W	Bl
FORWARD or REVERSE	○	○
NEUTRAL	○	○

POWER TILT SWITCH

COLOR	Lg	W/Bl	Lb
UP	○	○	○
NORMAL	○	○	○
DOWN	○	○	○



POWER TRIM/TILT SWITCH

COLOR	Lg	W/Bl	Lb
UP	○	○	○
NORMAL	○	○	○
DOWN	○	○	○

EMERGENCY STOP SWITCH

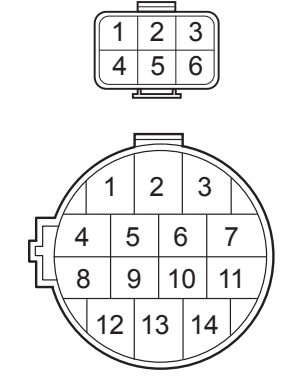
COLOR	Bl/R	Bl
Push or clip removed	○	○
Clip installed	○	○

COMBINATION SWITCH

MARK	E	IG	BAT	LOAD	ST
COLOR	Bl	Bl/R	W/Bl	Bl/Y	Bl/W
OFF	○	○	○	○	○
ON	○	○	○	○	○
START	○	○	○	○	○

6-PIN WIRE HARNESS

PIN	FUNCTION	COLOR
1	GROUND	W/BL
2	WATER IN FUEL ALARM	BL/Y
3	FUEL MANAGEMENT	BL
4	COMMON VOLTAGE	Y/G
5	ALTERNATOR CHARGING	Y/BU
6	ECU (ECM-CHECK ENGINE)	Y



14-PIN WIRE HARNESS

PIN	FUNCTION	COLOR	PIN	FUNCTION	COLOR
1	12 Vdc - HOT	W/BL	8	STARTER SOLENOID	BL/W
2	12Vdc -IGNITION	BL/Y	9	EMERGENCY STOP SW	BL/R
3	GROUND	BL	10	TRIM SWITCH - UP	Lg
4	HORN/BUZZER	Y/G	11	TRIM SWITCH - DN	Lb
5	TRIM SIGNAL	Y/BU	12	TRIM ANGLE SENSOR	Lg, BL
6	OIL PRESSURE SENSOR	Y	13	CHOKE SOLENOID	BR
7	THERMOSENSOR	R	14	TACH SIGNAL	GR

Bl	BLACK	Br	BROWN
Y	YELLOW	O	ORANGE
Bu	BLUE	Lb	LIGHT BLUE
G	GREEN	Lg	LIGHT GREEN
R	RED	P	PINK
W	WHITE	Gr	GRAY