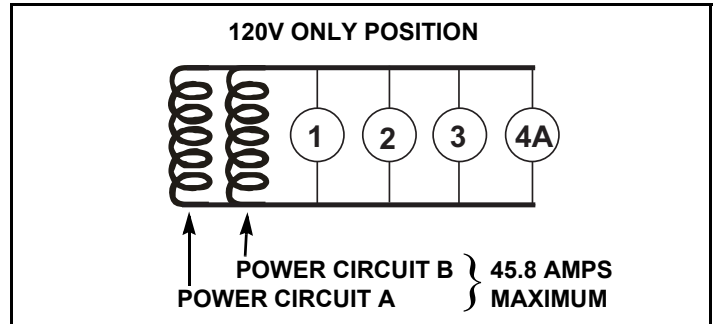


EU7000is Generator AC Receptacle Selection

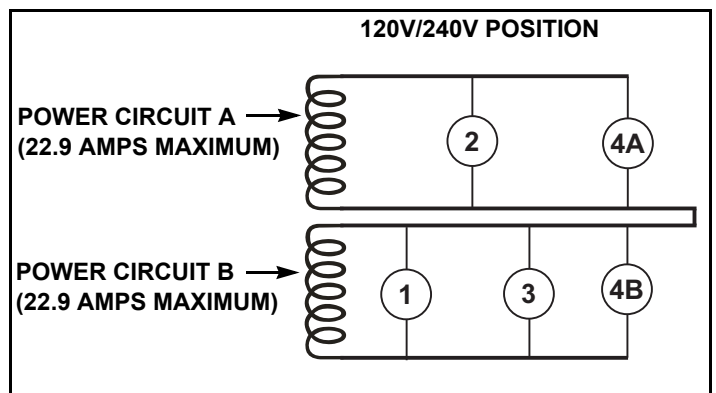
Power Circuits

The EU7000is generator is equipped with two power circuits (120V and 120V/240V). The power available to each receptacle depends on the position of the voltage selector switch.

When the voltage selector switch is in the 120V ONLY position, the power circuits operate in parallel, sharing the total load connected to receptacles 1, 2, 3, and terminal 4A of receptacle 4. Since both power circuits share the total load, there is no need to balance the load.



When the voltage selector switch is in the 120V/240V position, the power circuits operate in series, like two separate generators. Each circuit supplies up to 22.9 amps maximum to specific receptacles as shown in the graphic.



Neither power circuit can supply power to the other power circuit's receptacles. It is important, therefore, to balance the load on both power circuits.

Control Panel

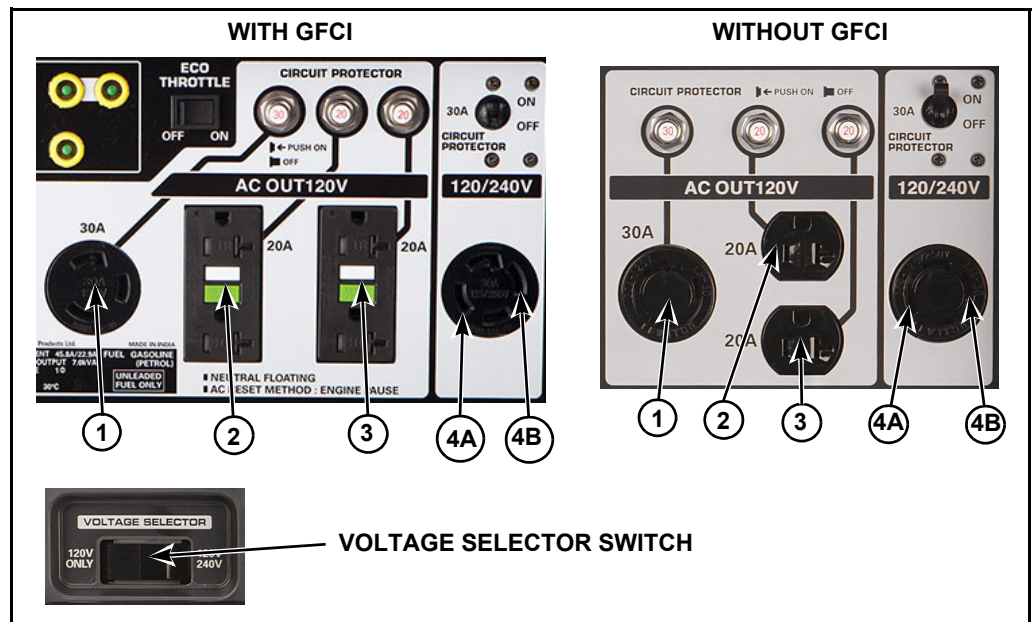
The control panel has a voltage selector switch and four receptacles.

Receptacle 1 is a 30A-120V (NMEA L5-30) locking receptacle.

Receptacle 2 is a duplex GFCI outlet or the top outlet of a 20A-120V duplex receptacle (units without GFCI).

Receptacle 3 is a duplex GFCI outlet or the bottom outlet of a 20A-120V duplex receptacle (units without GFCI).

Receptacle 4 is a 30A-120V/240V (NMEA L14-30) receptacle and has two powered terminals, 4A and 4B.



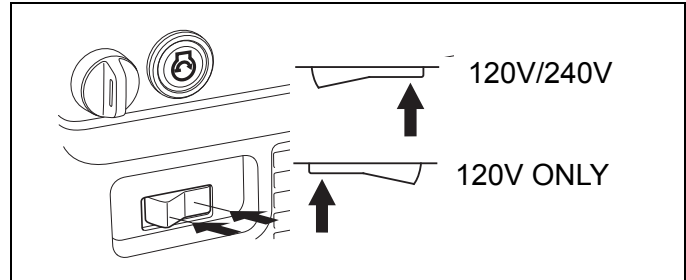
When the voltage selector switch is in the 120V/240V position, receptacle 4 supplies up to 22.9A at 240 volts from the combination of power circuits A and B.

When the voltage selector switch is in the 120V only position, receptacle 4 should not be used, as only leg 4A will be powered.

EU7000is Generator AC Receptacle Selection

Voltage Selector Switch

Disconnect or turn OFF all appliances or tools connected to the generator before changing the voltage selector switch position. The generator may be damaged if the switch position is changed with loads connected and operating.



120V ONLY Position

When the voltage selector switch is in the 120V ONLY position, you do not need to spread the load over the receptacles. You must, however, make sure the load on any one receptacle does not exceed its available power, shown in the table, and the total load does not exceed 45.8 amps.

Each GFCI duplex receptacle (2 outlets) has a maximum output of 20 amps. Example: If you are using 12 amps through the bottom outlet, the top outlet can only supply 8 amps.

Receptacle	Available Power	Total Current Available
1	30A at 120V	45.8A
2	20A at 120V	
3	20A at 120V	
4A	30A at 120V	
4B	None	

120V/240V Position

When the voltage selector switch is in the 120V/240V position, you must balance the load on both power circuits. Divide the load between the two sets of receptacles shown in the table.

Do not exceed the current rating of any receptacle. Balancing is necessary because each set of receptacles is powered by only one power circuit that can produce a maximum of 22.9 amps.

Set of Receptacles	Total Current Available	Power Circuit
2 + 4A	22.9A at 120V	A
1 + 3 + 4B	22.9A at 120V	B
4A + 4B	22.9A at 240V	A + B

Overloading

The rated power of this generator is 5.5 kVA; maximum power is 7.0 kVA. Never exceed the maximum power rating of the generator. Power levels between rated and maximum may be used for no more than 30 minutes. For continuous operation, do not exceed the rated power.