

HONDA

Power

Equipment

Owner's Manual

Rotary Mower

HRM215SXA • HRM215PXA

HRB215SXA • HRB215PXA



HONDA

Harmony

Keep this owner's manual handy, so you can refer to it any time, and make sure the manual stays with the lawn mower if you sell it.

This owner's manual is considered a permanent part of the lawn mower and should remain with the mower if resold.

The information and specifications included in this publication were in effect at the time of approval for printing. Honda Power Equipment Mfg., Inc. reserves the right, however, to discontinue or change specifications or design at any time without notice and without incurring any obligation whatever.

Honda lawn mowers meet Consumer Product Safety Commission (CPSC) blade safety requirements for walk-behind rotary mowers.

INTRODUCTION

Congratulations on your selection of a Honda lawn mower. We are certain you will be pleased with your purchase of one of the finest lawn mowers on the market.

We want to help you get the best results from your new mower and to operate it safely. This manual contains the information on how to do that; please read it carefully.

We suggest you read the warranty policy to fully understand its coverage and your responsibilities of ownership. The warranty policy is a separate document that should have been given to you by your dealer.


When your mower needs scheduled maintenance, keep in mind that your Honda lawn mower dealer is specially trained in servicing Honda mowers and is supported by the parts and service divisions of American Honda. Your Honda dealer is dedicated to your satisfaction and will be pleased to answer your questions and concerns.

Best Wishes,
Power Equipment Division
American Honda Motor Co., Inc.

INTRODUCTION

SAFETY MESSAGES

Your safety and the safety of others is very important. We have provided important safety messages in this manual and on the lawn mower. Please read these messages carefully.

A safety message alerts you to potential hazards that can hurt you and others. Each safety message is preceded by a safety alert symbol  and one of three words: DANGER, WARNING, or CAUTION.

These mean:

 **DANGER**

You **WILL** be **KILLED** or **SERIOUSLY HURT** if you don't follow instructions.

 **WARNING**

You **CAN** be **KILLED** or **SERIOUSLY HURT** if you don't follow instructions.

 **CAUTION**

You **CAN** be **HURT** if you don't follow instructions.

Each message tells you what the hazard is, what can happen, and what you can do to avoid or reduce injury.

DAMAGE PREVENTION MESSAGES

You will also see other important messages that are preceded by the word NOTICE.

This word means:

NOTICE

Your lawn mower or other property can be damaged if you don't follow instructions.

The purpose of these messages is to help prevent damage to your lawn mower, other property, or the environment.

CONTENTS

Turn to the beginning of each chapter for a complete list of subjects.

MOWER SAFETY	5
Important information about some specific hazards, and what you can do to prevent injury.	
CONTROLS	9
Identification of components and information about how the controls work.	
BEFORE OPERATION	17
How to fuel and check your mower to be sure it is ready. How to prepare your lawn and yourself before you begin mowing.	
OPERATION	27
Starting and stopping the engine, safe mowing practices, and mowing tips.	
TRANSPORTING	39
How to load and carry your mower safely.	
MAINTENANCE	41
When and how to perform routine inspection, service, and adjustments to keep your mower in good operating condition.	
TROUBLESHOOTING	61
What to check if you have a problem with your mower.	
STORAGE	65
How to protect your mower from rust and corrosion, and ensure that it will start easily when you want to use it again.	
SPECIFICATIONS	73
Dimensions, capacities, and other technical information.	
ADDITIONAL INFORMATION	77
Additional information, Honda publications available to you, and how to contact us if you have a question or a warranty repair problem.	
INDEX	83
Quick Reference Information	inside back cover

MOWER SAFETY

This chapter explains what you need to know to operate your mower safely.

IMPORTANT SAFETY INFORMATION	6
Avoid Rotating Blades	6
Clear Mowing Area	6
Keep Shields in Place	6
Refuel with Care.	6
Wear Protective Clothing	6
Turn Engine Off When Not Mowing.	6
IMPORTANT MESSAGE TO PARENTS	7
SAFETY LABEL LOCATIONS	8

MOWER SAFETY

IMPORTANT SAFETY INFORMATION

Most accidents with walk-behind mowers can be prevented if you follow all instructions in this manual and on the mower. The most common hazards, according to accident statistics, are discussed below, along with the best way to protect yourself and others.

Avoid Rotating Blades

Rotating blades can cause serious cuts and even amputate fingers, hands, toes, or feet. Keep away from the mower deck whenever the engine is running. If you need to adjust the cutting height, or work around the deck for any other reason, always shut off the engine. Wear heavy gloves and disconnect the spark plug cap when you need to clean the mower deck or handle the blade.

Clear Mowing Area

Mower blades can throw rocks and other objects with enough force to cause serious injury. Before mowing, carefully inspect the area and remove all sticks, stones, pieces of wire, and other loose objects. Never operate the blade over gravel.

Keep Shields in Place

Guards and shields are designed to protect you from being hit by thrown objects and from hot engine parts and moving components. For your safety and the safety of others, keep all shields in place when the engine is running.

Refuel with Care

Gasoline is extremely flammable and gasoline vapor can explode. Refuel only outdoors, in a well-ventilated area, with the engine OFF. Never smoke near gasoline, and keep other flames and sparks away. Always store gasoline in an approved container.

Wear Protective Clothing

Wearing protective clothing will reduce your risk of injury. Long pants and eye protection reduce the risk of injuries from thrown objects. Sturdy shoes with aggressive soles will help protect your feet and give you better traction on slopes or uneven ground.

Turn Engine Off When Not Mowing

If you need to leave the mower for any reason, even just to inspect the lawn ahead, always turn the engine off.

IMPORTANT MESSAGE TO PARENTS

YOUR CHILDREN'S SAFETY IS VERY IMPORTANT to Honda. That's why we urge you to read this message before letting your youngster operate this lawn mower. Lawn mowers are tools, not toys. As with any equipment, bad judgments can result in serious injuries. You can help prevent accidents by making good decisions about if, when, and how your youngster operates this equipment.

The first question you'll need to ask is whether your youngster is capable of operating this mower safely. Remember, young people vary widely, and **AGE IS NOT THE ONLY FACTOR**.

Physically, a youngster must be **LARGE ENOUGH AND STRONG ENOUGH** to easily start the mower and control its direction. The youngster also needs enough size, strength, and coordination to comfortably reach and operate the controls.

Another, tougher question you need to ask is if your youngster has enough **MATURITY AND RESPONSIBILITY** to safely operate this mower. Does the young person think through problems and come to logical solutions? Be honest! Anyone who takes unnecessary risks and doesn't obey rules should not operate this lawn mower.

If you decide that your son or daughter can handle the mower safely, **CAREFULLY READ THE OWNER'S MANUAL** with your youngster. Make sure you both understand all instructions and safety information. Also, be sure your youngster wears sturdy shoes and other protective clothing when operating or handling the mower.

SUPERVISION is also very important. Walk with your youngster during the first few minutes of mowing. Even after the youngster has become confident with the mower, do not let the young person use the mower without good adult supervision. An adult should also be present during refueling and maintenance. In fact, it's up to parents to make sure that the mower is properly maintained and kept in safe operating condition.

By always placing safety first, your youngster will acquire useful skills and a sense of accomplishment. And you'll both get the best results from your lawn mower.

MOWER SAFETY

SAFETY LABEL LOCATIONS

The labels shown here contain important safety information. Please read them carefully. These labels are considered permanent parts of your mower. So if a label comes off or becomes hard to read, contact your dealer for a replacement.

⚠ CAUTION

UNDER NORMAL USAGE, THIS BAG MATERIAL IS SUBJECT TO DETERIORATION AND WEAR, AND SHOULD BE CHECKED FREQUENTLY FOR BAG REPLACEMENT. THIS BAG CONFORMS TO A.N.S.I. STANDARD B71.1, ANY REPLACEMENT MUST MEET THIS STANDARD.

⚠ WARNING

Gasoline is highly flammable and explosive and you can be burned or seriously injured.

When refueling:

- Keep heat, sparks, and open flame away.
- Fill fuel tank only outdoors.
- Wipe up spills before starting engine.

⚠ WARNING

MOWER BLADE CAN CUT OFF HANDS OR FEET

- Stop engine before opening rear door.
- Always keep feet away from mower deck.

THROWN OBJECTS CAN CAUSE SERIOUS INJURY, BLINDNESS, OR PROPERTY DAMAGE

- Inspect area and remove debris before mowing.
- Keep children and others away.
- Wear eye protection.
- Follow all instructions in your Owner's Manual carefully.

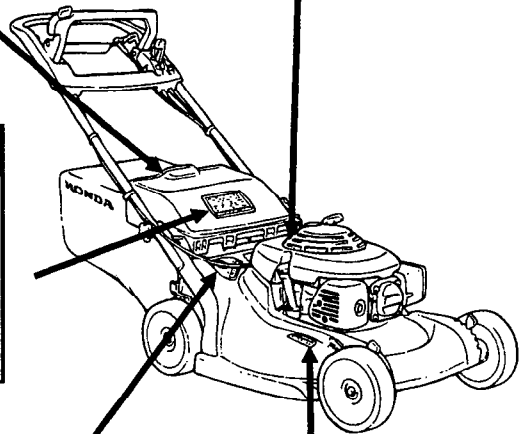
DANGER

KEEP HANDS and FEET AWAY



⚠ CAUTION

HOT MUFFLER CAN BURN YOU.
Stay away if engine has been running.



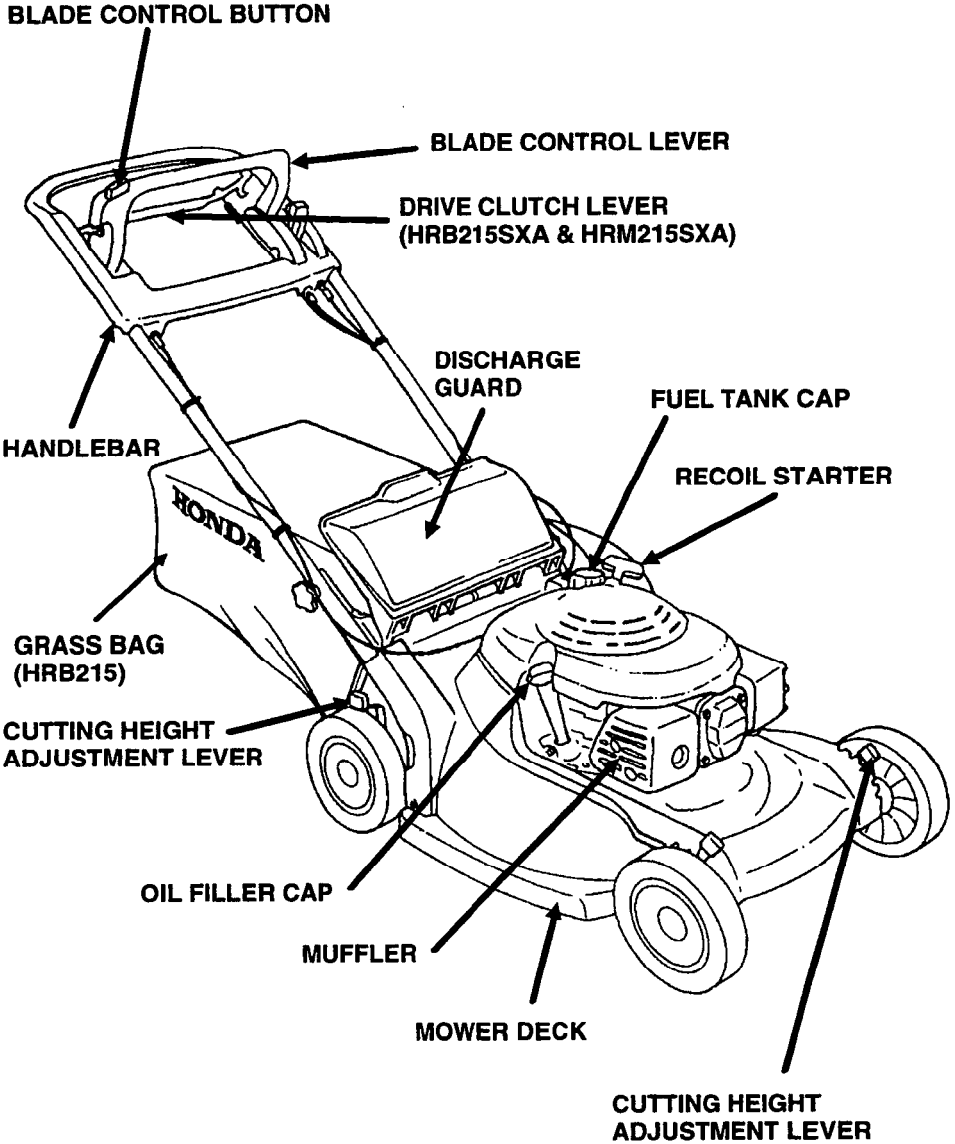
CONTROLS

This chapter shows the locations of controls and other important parts of your mower, and it tells you how the controls work.

COMPONENT IDENTIFICATION	10
DESCRIPTION OF CONTROLS	12
Throttle Lever	12
Blade Control Lever	13
Drive Clutch Lever (HRB215SXA & HRM215SXA)	13
Shift Lever (HRB215SXA & HRM215SXA)	14
Cutting Height Adjustment Levers	15

CONTROLS

COMPONENT IDENTIFICATION



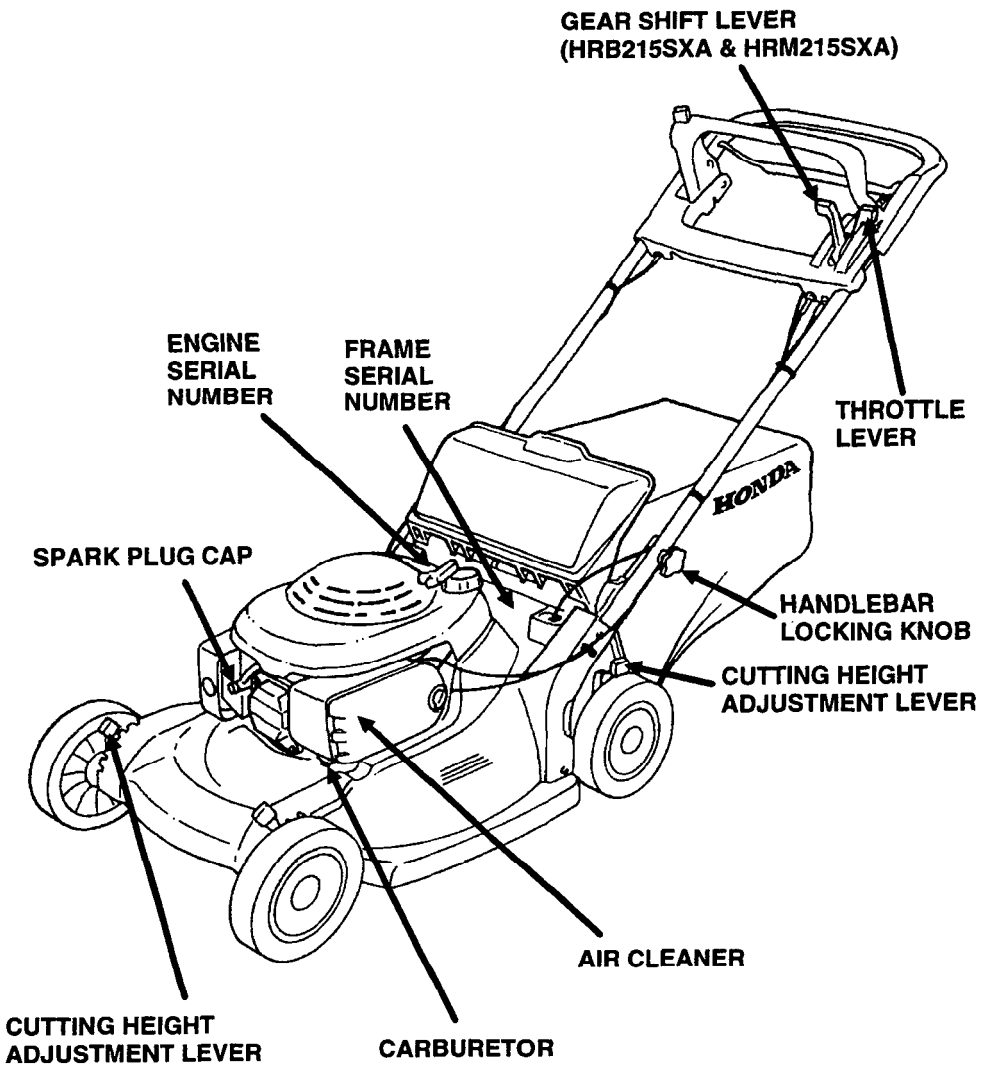
HRB215PXA: Manually propelled, high-lift blade, and grass bag

HRB215SXA: Self-propelled, high-lift blade, and grass bag

HRM215PXA: Manually propelled, mulching blades, and mulching plug

HRM215SXA: Self-propelled, mulching blades, and mulching plug.

CONTROLS



Record the frame and engine serial numbers in the space below. You will need these serial numbers when ordering parts and when making technical or warranty inquiries (see page 79).





Frame serial number: MZB__ - _____

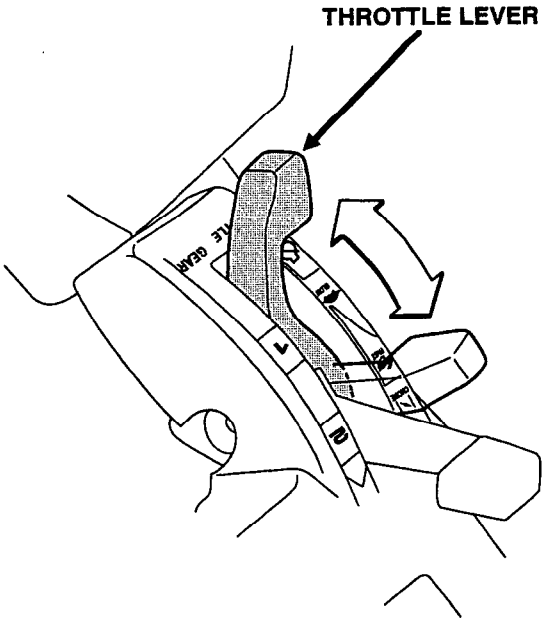
Engine serial number: GJAB - _____

CONTROLS

DESCRIPTION OF CONTROLS

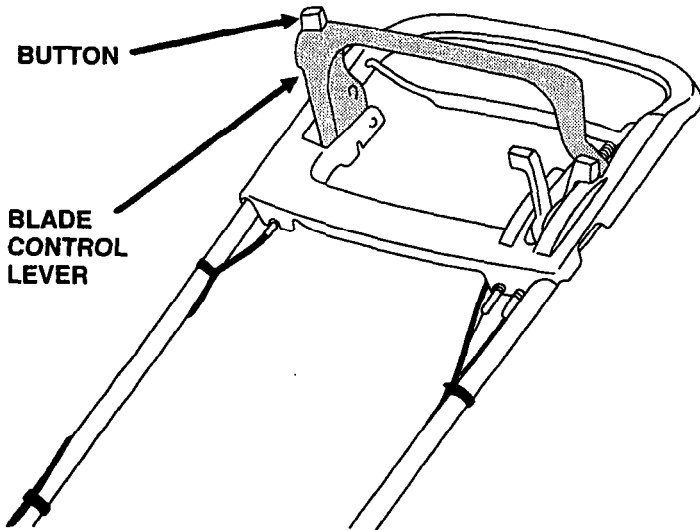
Throttle Lever

-  CHOKE --- For starting a cold engine.
-  FAST --- For restarting a warm engine and for mowing.
-  SLOW --- For idling the engine.
-  STOP --- For stopping the engine and closing the fuel valve.



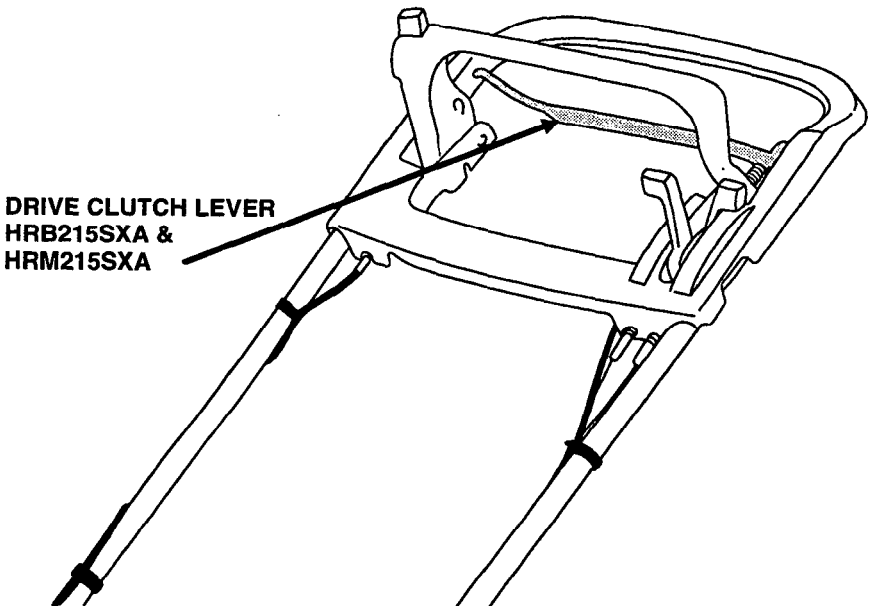
Blade Control Lever

The blade control lever starts and stops blade rotation.



Drive Clutch Lever (HRB215SXA & HRM215SXA)

The drive clutch lever engages and disengages the transmission that drives the rear wheels.

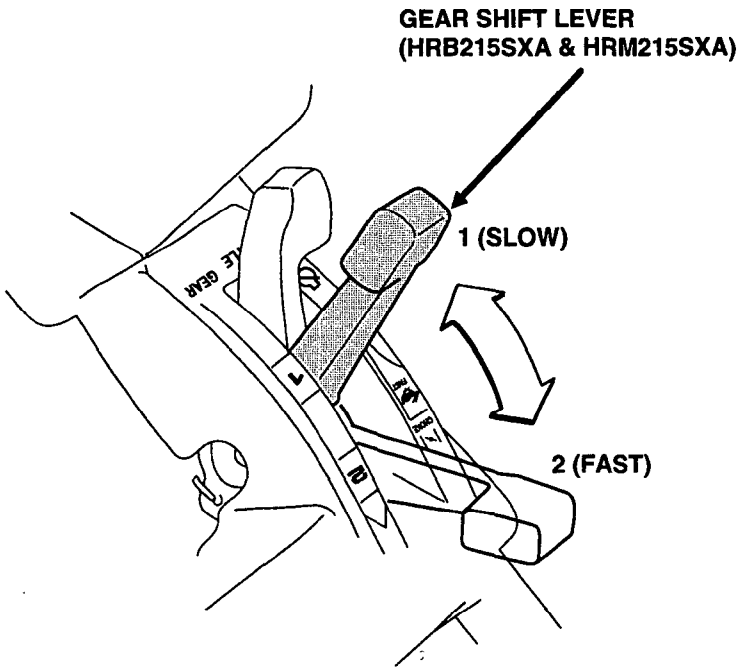


CONTROLS

Shift Lever (HRB215SXA & HRM215SXA)

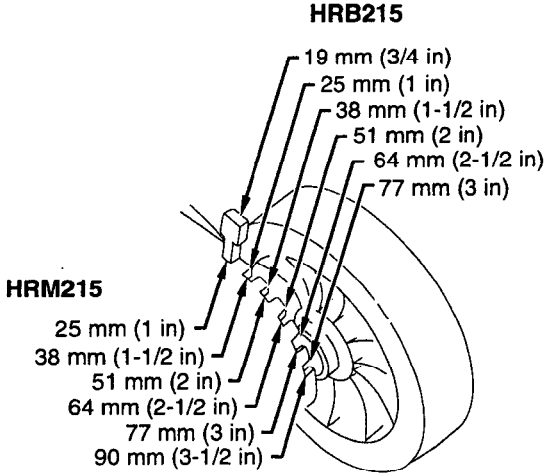
The shift lever selects the drive speed for the mower.

- 1 (SLOW) – For mowing thick grass or maneuvering in small areas.
- 2 (FAST) — For maximum self-propelled speed in large, open areas.



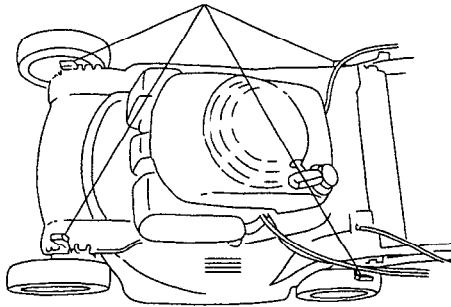
Cutting Height Adjustment Levers

There are six settings to choose from, as shown in the illustration. The cutting height figures are approximate. The actual height of cut grass will vary with lawn and soil conditions.



There is an adjustment lever on each wheel.

ADJUSTMENT LEVERS



BEFORE OPERATION

This chapter explains how to fuel and check your mower to be sure it is ready, and it tells you how to prepare your lawn and yourself before you begin mowing.

CHECK YOUR LAWN	18
Objects	18
People and Pets	18
Lawn	18
CHECK YOUR MOWER	19
Blade	19
Engine Oil Level	20
Fuel	21
Air Cleaner Inspection	22
Handlebar Height Adjustment	23
Grass Bag (HRB215SXA & HRB215PXA)	24
Inspection	24
Installation	24
Removal	24
Mulching Plug (HRM215SXA & HRM215PXA)	25
Cutting Height	25
Are YOU Ready to Mow?	26

BEFORE OPERATION

CHECK YOUR LAWN

For your safety and for the safety of others, always inspect the area before mowing.

Objects

Anything which can be picked up by the blades and thrown is a potential hazard to you and others. Look for things like stones, sticks, bones, and wire. Remove them from the mowing area.

People and Pets

People and animals near the mowing area can move into your path or into a position where they could be struck by thrown objects. Clear the area of people and pets, especially children. Their safety is your responsibility.

Lawn

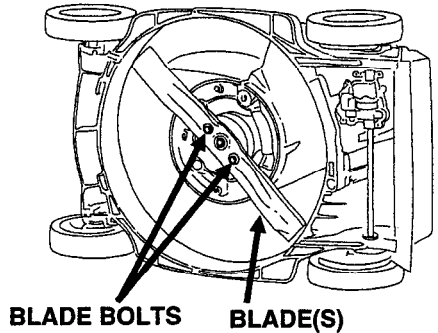
Check the length and condition of the grass, so you will know what cutting height and mowing speed to use.

Avoid mowing wet grass. Not only will wet grass clog your mower deck and collect in clumps on the lawn, it also gives poor traction, increasing your risk of losing your footing.

CHECK YOUR MOWER

Blade

With the throttle lever in the STOP position, and the spark plug cap disconnected, tilt the mower to the right, so the carburetor side is up. This will help to prevent fuel leakage and hard starting.



Inspect the blade(s) for wear and damage.



NORMAL



**EXCESSIVELY
WORN**



BENT



CRACKED

A dull blade can be sharpened, but a blade that is worn out, bent, cracked, or otherwise damaged must be replaced. A worn or damaged blade can break, causing blade pieces to be thrown from the mower.

When a blade needs sharpening or replacement take the lawn mower to an authorized Honda lawn mower dealer. Or, if you have a torque wrench, you can remove and install a blade yourself (see pages 57 - 58).

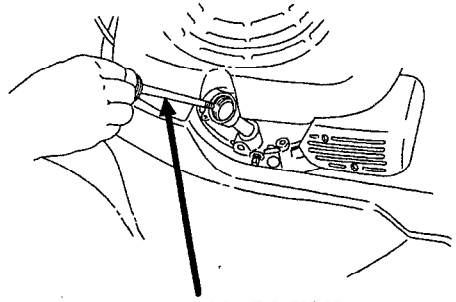
Check that the blade bolts are tight (see page 58).

BEFORE OPERATION

Engine Oil Level

Check the engine oil level with the engine stopped and the mower on a level surface.

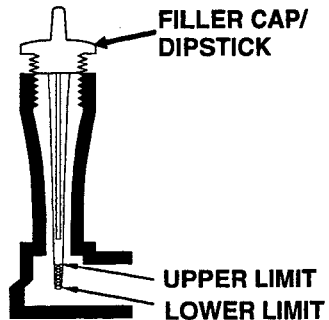
1. Remove the oil filler cap, and wipe the dipstick clean.



FILLER CAP/DIPSTICK

2. Insert and remove the dipstick without screwing it into the filler neck. Check the oil level shown on the dipstick.

3. If the oil level is low, add oil to reach the upper limit mark on the dipstick. (see page 45)



4. After checking the engine oil level, screw in the filler cap/dipstick securely.

BEFORE OPERATION

Fuel

Fuel tank capacity: 1.0 l (0.26 US gal)

Refuel in a well-ventilated area before starting the engine. If the engine has been running, allow it to cool. Refer to page 51 for fuel recommendations and page 80 for information about oxygenated fuels.

Remove the tank cap and check the fuel level. Refill the tank if the fuel level is low. Refuel carefully to avoid spilling fuel. Do not overfill; there should be no fuel in the filler neck. After refueling, tighten the fuel tank cap securely.

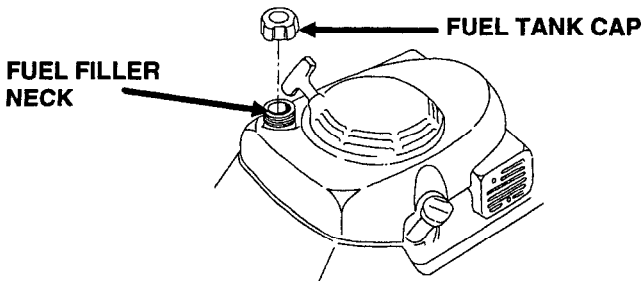
⚠ WARNING

Gasoline is highly flammable and explosive and you can be burned or seriously injured when refueling.

- Stop engine and keep heat, sparks, and flame away.
- Refuel only outdoors.
- Wipe up spills immediately.

Never refuel the mower inside a building where gasoline fumes may reach flames or sparks. Keep gasoline away from appliance pilot lights, barbecues, electric appliances, power tools, etc.

Spilled fuel is not only a fire hazard, it causes environmental damage. Wipe up spills immediately.



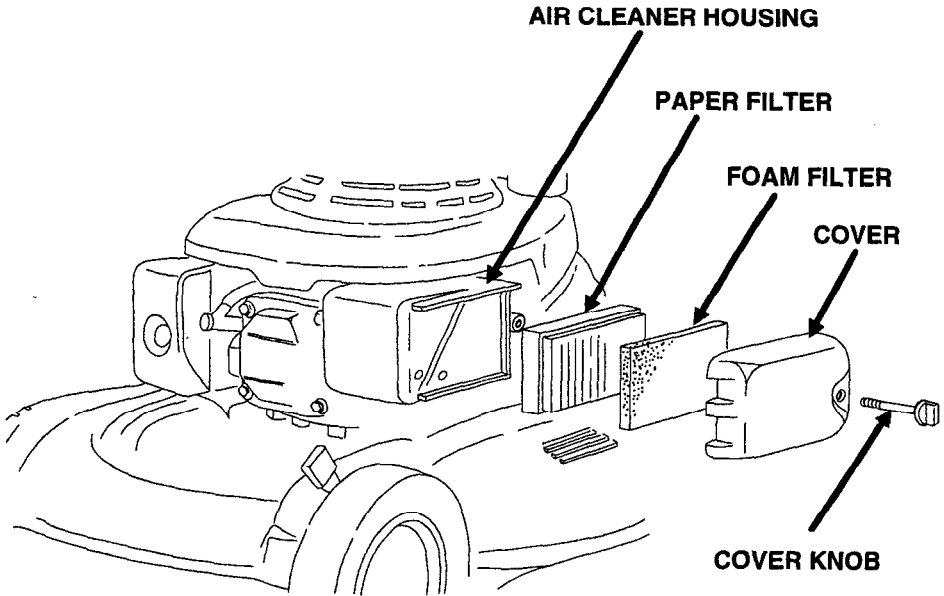
BEFORE OPERATION

NOTICE

Fuel can damage paint and plastic. Be careful not to spill fuel when filling your fuel tank. Damage caused by spilled fuel is not covered under warranty.

Air Cleaner Inspection

Check that the air filters are clean and in good condition. Dirty air filters will restrict air flow to the carburetor, reducing engine performance. Refer to page 47 for air cleaner service.

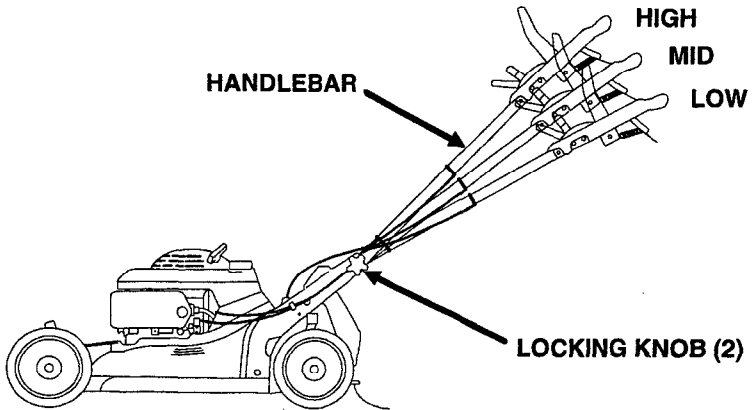


BEFORE OPERATION

Handlebar Height Adjustment

Adjust handlebar height for a comfortable operating position.

1. Loosen the lower handlebar locking knobs.
2. Spread the lower ends of the handlebar to release the locating pins.
3. Move the handlebar up or down, so the locating pins engage other holes on the handlebar mounting brackets.
4. Tighten the handlebar locking knobs securely



BEFORE OPERATION

Grass Bag (HRB215SXA & HRB215PXA)

A lawn mower works like a vacuum cleaner; it blows air through the bag, which traps the grass clippings. Always empty the grass bag before it becomes filled to the limit of its capacity. Bagging performance will diminish after the bag becomes about 90% filled. Also, the bag is easier to empty when it is not packed full.

Inspection

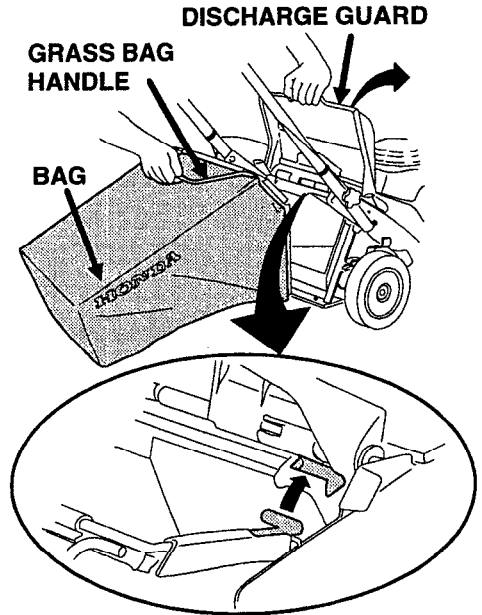
Inspect the grass bag for tears, holes, and excessive wear. The grass bag wears during normal use and will eventually require replacement. Grass bag replacement is explained on page 59.

Installation

1. Raise the discharge guard, and hook the grass bag onto the mower deck as shown.
2. Release the discharge guard to secure the grass bag.

Removal

1. Raise the discharge guard, grasp the handle of the grass bag lid, and remove the grass bag.
2. Release the discharge guard.
3. When the grass bag is clear of the discharge guard, you can lift it through the handlebar opening, or you can remove it to the rear of the mower below the handlebar.



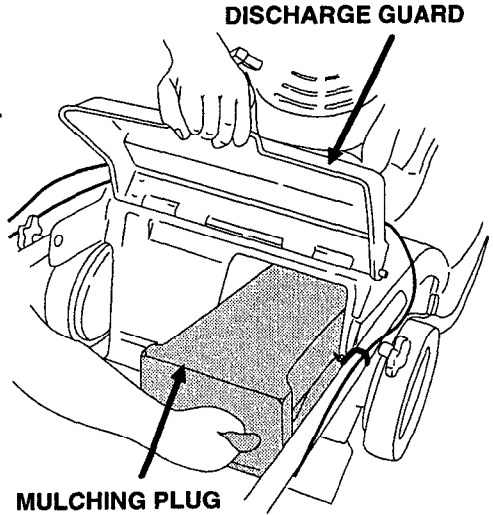
BEFORE OPERATION

Mulching Plug

The mulching plug contours the mower deck for efficient mulching.

You can quickly remove the plug to install a grass bag or side-discharge chute, which are available as optional equipment.

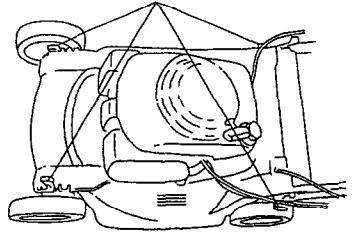
Raise the discharge guard to remove or install the mulching plug. When installing, be sure the plug is fully inserted, and the discharge guard is closed.



Cutting Height

Check the mower deck cutting height settings, and be sure that all four adjustment levers are set to the same cutting height position.

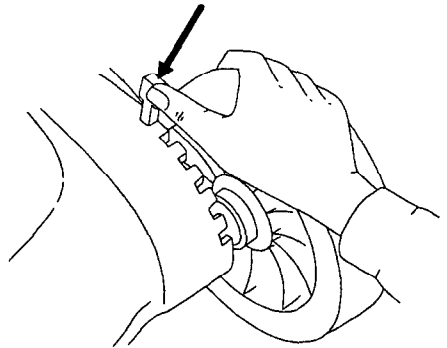
ADJUSTMENT LEVERS



To adjust cutting height, pull each adjustment lever toward the wheel, and move it into another notch.

If you are not sure what cutting height to select, start with a high setting and check the appearance of the lawn after mowing a small area. Then readjust cutting height if necessary.

ADJUSTMENT LEVER



BEFORE OPERATION

ARE YOU Ready to Mow?

Be sure to wear protective clothing. Long pants and eye protection can lower your risk of injury from thrown objects. Wear footwear that protects your feet and won't let you slip if you mow on slopes or uneven ground.

OPERATION

This chapter tells you how to operate the mower safely and effectively.

MOWING PRECAUTIONS	28
STARTING THE ENGINE	28
OPERATING THE CONTROLS FOR MOWING	30
Throttle Lever	30
Blade Control Lever	30
Drive Clutch Lever	31
Shift Lever	31
STOPPING THE ENGINE	32
SAFE MOWING PRACTICES	33
Slopes	33
Obstacles	34
Gravel and Loose Objects	34
MOWING TIPS	35
When to Mow	35
Cutting Height	35
Cutting Width	35
Blade Speed	36
Blade Sharpness	36
Dry Grass	36
Wet Grass	36
Fallen Leaves	36
Clogged Mower Deck	36
Mowing Patterns	37

OPERATION

MOWING PRECAUTIONS

Before operating the mower for the first time, please review the *IMPORTANT SAFETY INFORMATION* beginning on page 6 and the previous section, titled *BEFORE OPERATION*.

Even if you have operated other mowers, take time to become familiar with how this mower works and practice in a safe area until you build up your skills.

For your safety, avoid starting or operating the engine in an enclosed area such as a garage. Your mower's exhaust contains poisonous carbon monoxide gas which can collect rapidly in an enclosed area and cause illness or death.

STARTING THE ENGINE

Before starting, always release the blade control lever and drive clutch lever, so the blade will not turn, and the mower will not move forward, when you operate the starter.

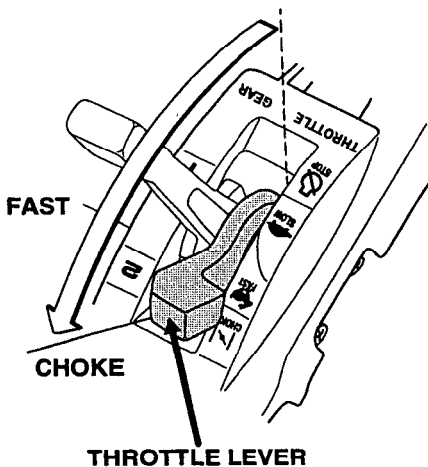
1. Move the throttle lever to the proper starting position.

FOR STARTING A COLD ENGINE:

Move the throttle lever to the CHOKE position.

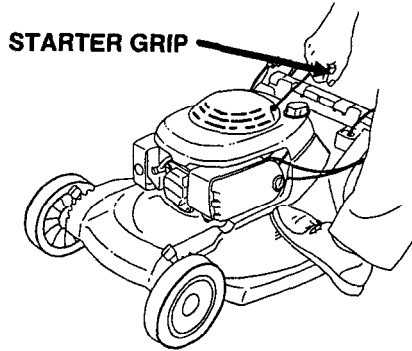
FOR RESTARTING A WARM ENGINE:

Move the throttle lever to the FAST position.

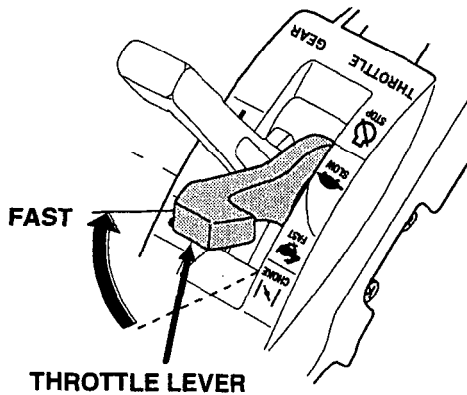


OPERATION

2. Place your foot on the mower deck step. Pull the starter grip lightly until you feel resistance, then pull briskly. Return the starter grip gently.



3. Move the throttle lever away from the CHOKE position as soon as the engine warms up enough to run smoothly without use of the choke. Set the throttle lever at FAST to mow or at SLOW to idle.



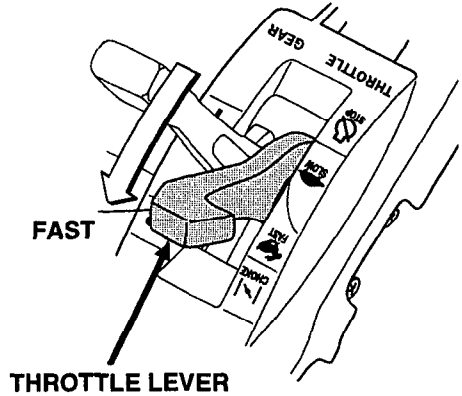
OPERATION

OPERATING THE CONTROLS FOR MOWING

Throttle Lever

For best cut quality, always mow with the throttle lever in the FAST position. When the blade rotates at the preset fast speed, it creates a strong fan action that lifts and cuts grass more efficiently. Do not try to increase the preset engine speed, the blade could fracture and come apart.

When you need to empty the grass bag or leave the mower for any reason, move the throttle lever to the stop position.

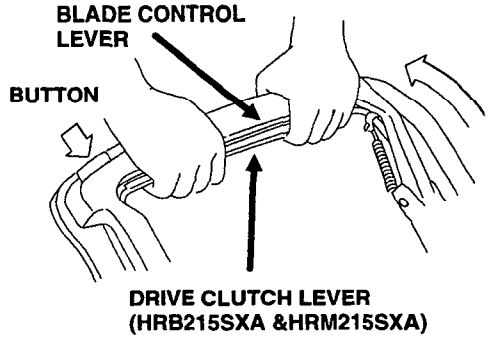


Blade Control Lever

To start blade rotation, press the button on top of the blade control lever, then pull the lever forward and hold it against the handlebar.

Release the blade control lever to stop the blade.

Operate the blade control lever with a quick and complete motion, so the blade drive is always either fully engaged or stopped. This will help to prevent stalling the engine, and it will also extend the service life of the blade control mechanism.



FOR SELF-PROPELLED MOWING

Always release the blade control lever before starting the engine to prevent the blade from turning.

Drive Clutch Lever (HRM215SXA & HRB215SXA)

To propel the mower, move the drive clutch lever up, and hold it against the handlebar.

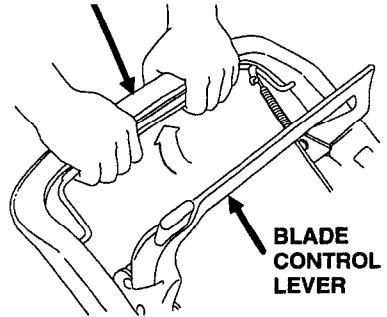
Release the drive clutch lever to stop the mower.

Operate the blade control lever with a quick and complete motion, so the drive clutch is always either fully engaged or released. This will help to extend the service life of the clutch mechanism.

For self-propelled mowing, press the button on top of the blade control lever, pull the blade control lever back, then move the drive clutch lever against the handlebar. Hold both levers against the handlebar.

Always release the drive clutch lever before starting the engine. If the drive clutch is engaged, the mower will move forward when you operate the starter.

DRIVE CLUTCH LEVER
(HRB215SXA & HRM215SXA)



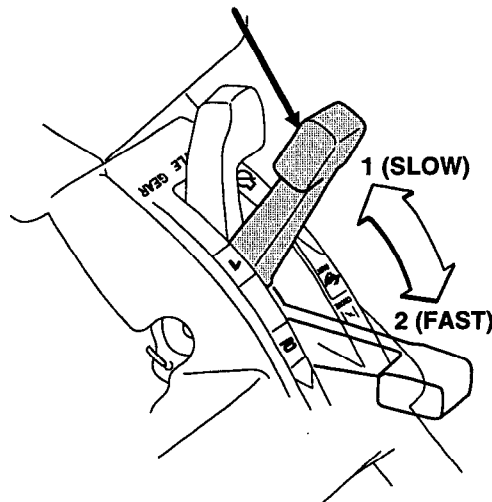
Shift Lever (HRM215SXA & HRB215SXA)

Use the shift lever to select the forward speed at which you wish to mow.

Do not use the throttle lever to adjust your forward speed. The throttle lever must remain in the FAST position for good mowing performance.

You can shift gears without releasing the drive clutch lever, but the transmission may not shift smoothly if the mower is pulling hard. For smoother operation, release the drive clutch lever before shifting gears.

GEAR SHIFT LEVER

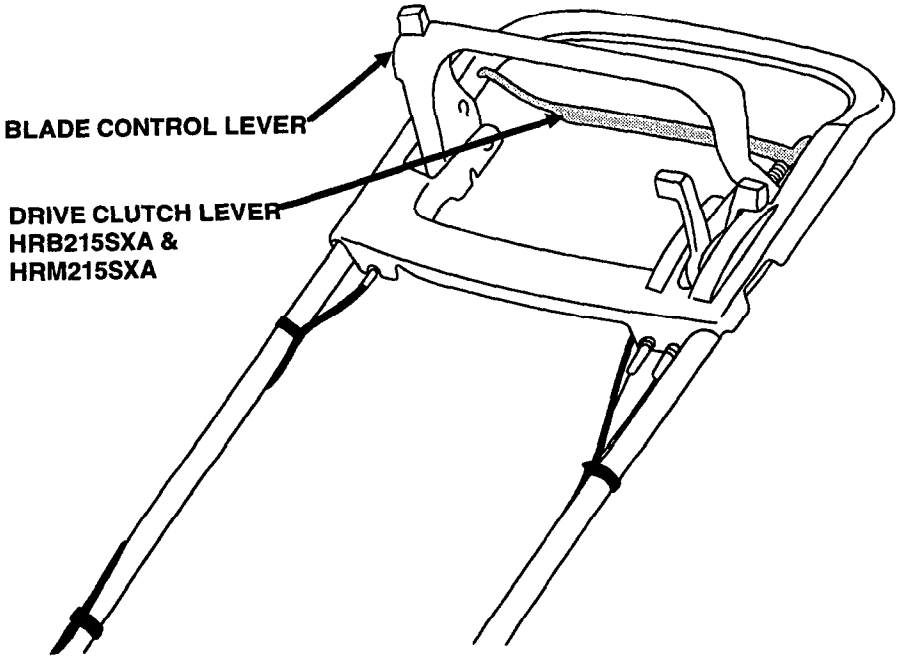


To avoid incomplete gear engagement, move the shift lever all the way forward or all the way back.

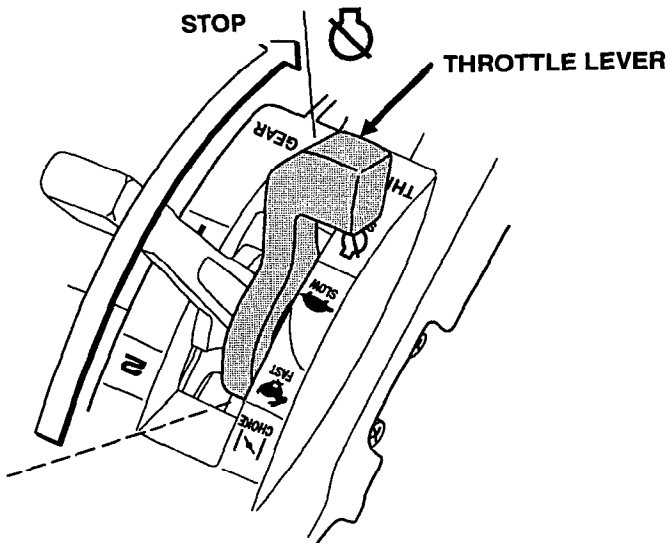
OPERATION

STOPPING THE ENGINE

1. Release the drive clutch lever and blade control lever.



2. Move the throttle lever to the STOP position.



SAFE MOWING PRACTICES

For your safety, keep all four wheels on the ground, and be careful to avoid losing your footing and your control of the mower. Keep a firm grip on the handlebar, and walk, never run, with the mower. Be very careful when mowing uneven or rough ground.

If stuck, do not kick or shove the mower with your foot. Use the handlebar to control the mower.

⚠ WARNING

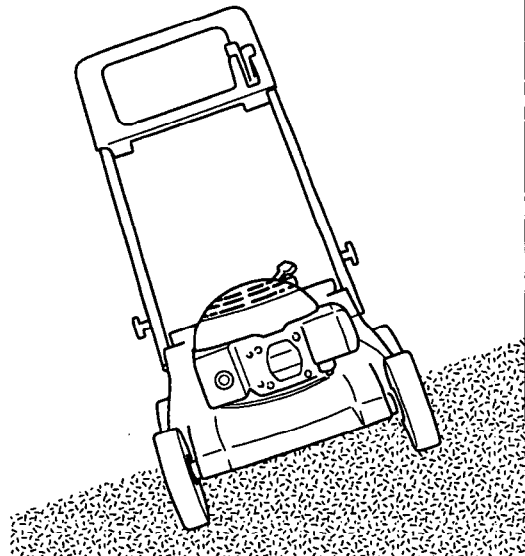
The blade is sharp and spins at high speed.

A spinning blade can cut you severely and can amputate fingers and toes.

- Wear protective footwear.
- Keep your hands and feet away from the mower deck while the engine is running.
- Stop the engine before performing any adjustment, inspection, or maintenance.

Slopes

Mow across slopes, not up and down. Avoid steep slopes (more than 20°), and be careful when changing direction. Mowing on a slope when the grass is damp or wet could cause you to slip, fall, and lose control of the mower.



OPERATION

Obstacles

Use the side of the mower to cut close to large obstacles, such as fences or walls.

Release the drive clutch lever to disengage the drive when mowing around trees and other obstacles. Push the mower around obstacles for better directional control. Be careful when mowing over obstacles embedded in the lawn, such as sprinkler heads, paving, edging, etc. Avoid anything that sticks up above the surface of the lawn.

If the blade hits something, or if the mower starts to vibrate, stop the engine immediately and check for damage. Striking objects may damage the blade, bend the crankshaft, and/or break the mower deck or other components. Vibration usually indicates serious trouble.

WARNING

A worn, cracked, or damaged blade can break, and pieces of the damaged blade can become dangerous projectiles.

Thrown objects can cause serious injury.

Inspect the blade regularly, and do not operate the mower with a worn or damaged blade.

The Distributor's Limited Warranty does not cover parts damaged by accident or collision.

Gravel and Loose Objects

Gravel, loose stones, and landscaping material can be picked up by the mower and thrown many feet with enough force to cause serious personal injury and/or property damage. The best way to prevent potential injury from thrown objects is to release the blade control lever to stop the blade before reaching areas with gravel, loose stones, or landscaping material.

MOWING TIPS

When to Mow

Most grasses should be mowed when they have grown $\frac{1}{2}$ to 1 inch above their recommended height.



More frequent mowing is required for mulching than for bagging. For best results, you may need to mow the lawn twice a week during the growing season.

Cutting Height

Consult a local nursery or lawn and garden center for cutting height recommendations and advice about specific types of grasses and growing conditions in your area.



TOO SHORT

If you look closely, you'll see that most grass has stems and leaves. If you cut off the leaves, you'll scalp the lawn. Let the grass recover between mowings. Your mower will work better, and your lawn will look better.



LONG ENOUGH

If your grass gets too tall, cut it once at the highest cutting height setting, then mow again in 2 or 3 days. Don't take off more than one third of total grass height in any one mowing, or brown patches may develop.

Cutting height adjustment is explained on page 15.

Cutting Width

For an even lawn finish, overlap each mowing swath by a few inches. If the grass is very tall or thick, use more overlap and a narrower mowing swath.

OPERATION

Blade Speed

The blade must spin very fast to cut properly. Always use the FAST throttle setting, and keep the engine running at maximum rpm.

If engine speed drops, it could mean the engine is being overloaded by the blade trying to cut too much grass. Mow a narrower swath, move the mower slower, or raise the cutting height.

Blade Sharpness

A sharp blade cuts cleanly. A dull blade tears the grass, leaving shredded ends that turn brown. When your blade doesn't cut cleanly anymore, have it sharpened or replaced.

Dry Grass

If the ground is too dry, mowing will stir up a lot of dust. Besides being unpleasant to work in, too much dust will clog the carburetor air filter.

If dust is a problem, water your lawn the day before mowing. Mow when the grass is dry to your touch, but the soil is still moist.

Wet Grass

Wet grass is slippery and can make you lose your footing. Also, wet grass clippings will clog the mower deck and collect in clumps on the lawn. Always wait for wet grass to dry before mowing.

Fallen Leaves

When equipped with a grass bag, your mower can be used to pick up fallen leaves for disposal. If using the mower to bag large amounts of fallen leaves, and not for mowing, set the cutting height adjustment levers so the front of the mower deck is one or two settings higher than the rear.

If you want to mulch fallen leaves into your lawn, don't let the leaf cover get too deep before you begin. For best results, start mulching while grass still shows through the leaf cover. In places where fallen leaves completely cover the grass, remove the leaves by raking, or install a grass bag, so your mower can pick them up for disposal.

Clogged Mower Deck

Before clearing a clogged mower deck, stop the engine and turn the fuel valve off by moving the throttle lever to the STOP position. With the spark plug cap disconnected, tilt the mower so the carburetor side is up.

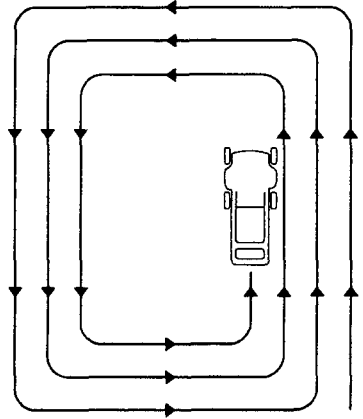
Clear a clogged deck with a stick, not your hands.

Mowing Patterns

Your Honda mower will work most efficiently if you use the following mowing patterns as much as possible. Mower deck and equipment design, and the direction in which the blade rotates, cause these mowing patterns to give the best results.

Mulching

Use a counterclockwise mowing pattern. If the lawn has an irregular shape, or many obstacles, divide it into sections where you can use counterclockwise mowing patterns.



MULCHING PATTERN

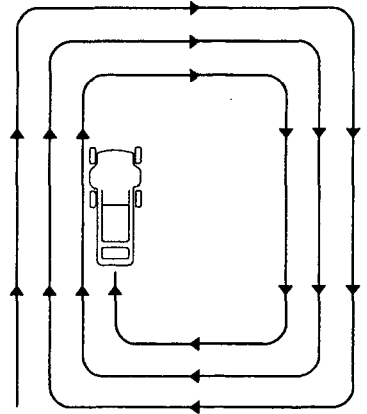
Bagging

Use a clockwise mowing pattern. This will give the best bagging performance, leaving the least amount of clippings on the lawn.

Side-Discharge Mowing

(requires optional side-discharge chute)

Start mowing at the outer edges of the lawn, and work toward the center in a circular pattern, always discharging the clippings to the outside. This will prevent clippings from pling up in the path of the mower.



BAGGING & SIDE-DISCHARGE PATTERN

OPERATION

TRANSPORTING

This chapter explains how to load and carry your mower safely.

BEFORE LOADING	40
LOADING AND UNLOADING.....	40

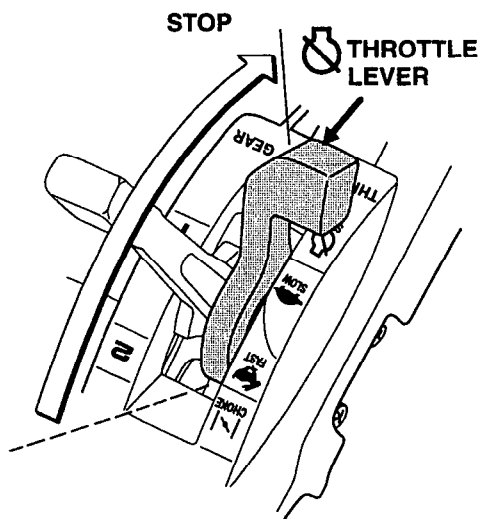
TRANSPORTING

BEFORE LOADING

If the engine has been running, allow it to cool for at least 15 minutes before loading the mower on the transport vehicle. A hot engine and exhaust system can burn you and can ignite some materials.

Remove the grass bag.

Put the throttle lever in the STOP position to shut off the fuel valve. This will prevent carburetor flooding and reduce the possibility of fuel leakage.



LOADING AND UNLOADING

If a suitable loading ramp is not available, two people should lift the mower on and off the transport vehicle while holding the mower level.

Position the mower so all four wheels are on the bed of the transport vehicle. Tie the mower down with rope or straps, and block the wheels. Keep the tie-down rope or straps away from the controls, adjustment levers, cables, and the carburetor.

The handlebar can be folded so the mower will take up less space (see page 70).

MAINTENANCE

This chapter explains when and how to perform routine inspection, service, and adjustments for do-it-yourself maintenance. More difficult maintenance tasks should be done by your dealer. Your dealer is best equipped and staffed to provide the level of service and safety you and your mower deserve.

MAINTENANCE PRECAUTIONS	42
MAINTENANCE RESPONSIBILITY	43
Replacement Parts	43
Maintenance	43
MAINTENANCE SCHEDULE	44
ENGINE MAINTENANCE	45
Engine Oil Change	45
Air Cleaner Service	47
Spark Plug Service	48
Carburetor Adjustment	50
High Altitude Operation	50
Fuel Recommendations	51
EMISSION CONTROL MAINTENANCE	52
Source of Emissions	52
Tampering and Alteration	52
Problems that may affect Emissions	52
CONTROL CABLE ADJUSTMENTS	53
Blade Control Cable Adjustment	53
Drive Clutch Cable Adjustment (HRM215SXA & HRB215SXA)	54
Shift Cable Adjustment (HRM215SXA & HRB215SXA) ..	55
THROTTLE CABLE INSPECTION	56
BLADE REMOVAL AND INSTALLATION	57
Blade Removal	57
Blade Installation	58
GRASS BAG CLEANING AND REPLACEMENT (HRB215SXA & HRB215PXA)	59
Grass Bag Cleaning	59
Grass Bag Replacement	59
Bag Removal	59
Bag Installation	59

MAINTENANCE

MAINTENANCE PRECAUTIONS

Periodic maintenance and adjustments are necessary to keep your mower in good operating condition. Service and inspect according to the MAINTENANCE SCHEDULE.

WARNING

If you do not follow these safety precautions, you can be seriously hurt or killed.

Carefully read and follow all safety instructions.

The engine and exhaust system become hot enough to burn you and may cause a fire if flammable materials are nearby. Allow the engine to cool for at least 15 minutes before maintenance or indoor storage.

Gasoline is highly flammable and explosive. Refuel outdoors with the engine stopped. Wipe up spills immediately. Never use gasoline to clean parts.

To prevent carbon monoxide poisoning, stop the engine before making any inspection or repair. If you must run the engine, do it outdoors or provide adequate ventilation. If you start feeling drowsy, stop the engine immediately and get fresh air.

Use genuine Honda parts or their exact equivalent for maintenance and repair. Lower quality parts may damage the mower or reduce its performance.

Keep all nuts, bolts, and screws tight to be sure the equipment is in safe working order.

Wear heavy gloves to protect your hands when working on the mower, especially when you work on or near the blade and disconnect the spark plug cap.

MAINTENANCE RESPONSIBILITY

Replacement Parts

Honda recommends only the use of new, genuine Honda parts or their equivalent. The use of other replacement parts which are not of equivalent quality may impair the effectiveness of your emission control system.

Maintenance

Follow the maintenance schedule. Remember that this schedule is based on the assumption that your machine will be used for its designed purpose. Sustained high-load or high-temperature operation, or use in unusually wet or dusty conditions, will require more frequent service.

MAINTENANCE

MAINTENANCE SCHEDULE

Regular Service Interval		Before Each Use	First 20 Hours	Every 50 Hours	Every 100 Hours	Every 300 Hours
Blade condition and blade bolt tightness	Check	●				
Grass bag (HRB215SXA & HRB215PXA)	Check	●				
Engine oil	Check	●				
	Change		●		●	
Air cleaner	Check	●				
	Clean			● ¹		
Spark plug	Check & clean				●	
	Replace					●
Spark arrester (optional equipment)	Check				●	
Blade control mechanism	Check		● ²		● ²	
Blade control cable	Adjust		●		●	
Drive clutch cable (HRM215SXA & HRB215SXA)	Adjust		●		●	
Shift cable (HRM215SXA & HRB215SXA)	Adjust		●		●	
Throttle cable	Adjust		● ²		● ²	
Valve clearance	Adjust					● ²
Fuel tank and filter	Clean					● ²
Fuel line	Replace	Every 2 years ²				

●¹ Service more frequently when used in dusty areas.

●² These items should be serviced by an authorized Honda lawn mower dealer, unless you have the proper tools and are mechanically proficient. Refer to the Honda shop manual.

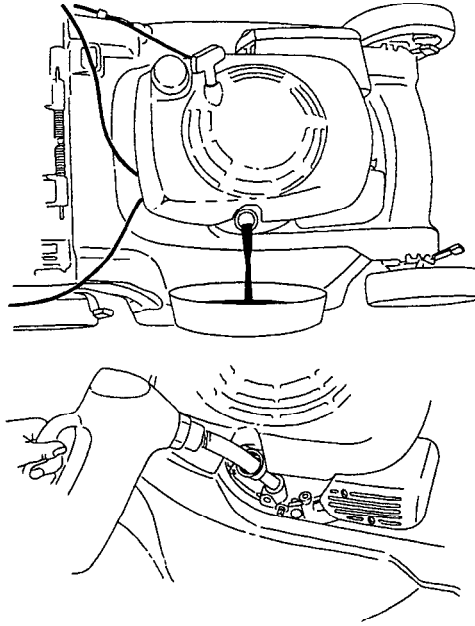
ENGINE MAINTENANCE

Engine Oil Change

Drain the used oil while the engine is warm. Warm oil drains quickly and completely.

1. Put the throttle lever in the STOP position to shut off the fuel valve. This will reduce the possibility of fuel leakage (see page 32).
2. Wipe the oil filler area clean, then remove the oil filler cap/dipstick.
3. Place a suitable container next to the mower to catch the used oil, then tilt the mower on its right side. The used oil will drain through the filler neck. Allow the oil to drain completely.

Please dispose of used motor oil and the containers in a manner that is compatible with the environment. We suggest you take it in a sealed container to your local recycling center or service station for reclamation. Do not throw it in the trash or pour it on the ground or down a drain.

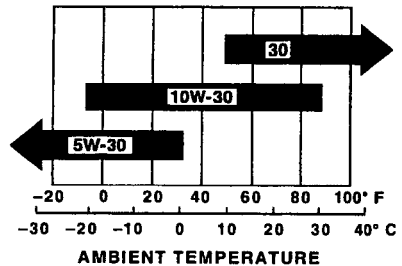


4. Fill with the recommended oil. Do not overfill; measure the oil level as shown on page 46.

Engine oil capacity:
0.6 l (0.63 US qt).

NOTICE

Running the engine with a low oil level can cause engine damage.



Use high-detergent, premium quality 4-stroke engine oil, certified to meet or exceed U.S. automobile manufacturers' requirements for API Service Classification SH, SF.

MAINTENANCE

NOTICE

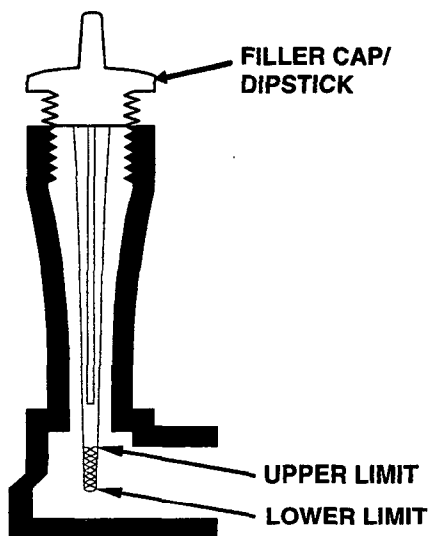
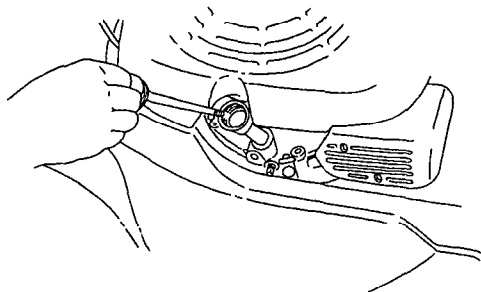
Using nondetergent oil can shorten the engine's service life, and using 2-stroke oil can damage the engine.

SAE 10W-30 is recommended for general, all-temperature use. Other viscosities shown in the chart (previous page) may be used when the average temperature in your area is within the indicated range.

5. After changing the engine oil, and before starting the engine, check the oil level with the mower on a level surface:
 - a. Wipe the dipstick clean.
 - b. Insert and remove the dipstick without screwing it into the filler neck. Check the oil level shown on the dipstick.
 - c. If the oil level is low, add oil to reach the upper limit mark on the dipstick. Do not overfill. If the engine is overfilled, the excess oil may get transferred to the air cleaner housing and air cleaner elements.

NOTICE

Running the engine with a low oil level can cause engine damage.



- d. Screw in the filler cap/dipstick securely.

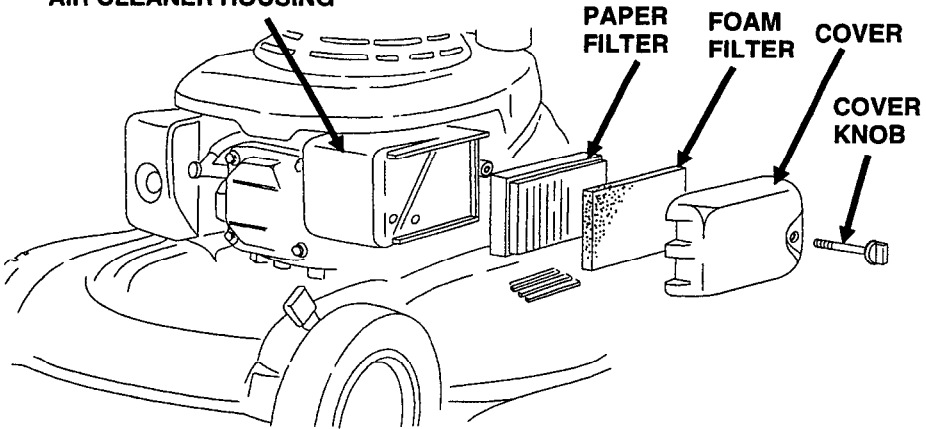
Air Cleaner Service

Dirty air filters will restrict air flow to the carburetor, reducing engine performance. If you operate the mower in very dusty areas, clean the air filters more often than specified in the MAINTENANCE SCHEDULE.

NOTICE

Operating the engine without air filters, or damaged filters, will allow dirt to enter the engine, causing rapid engine wear. This type of damage is not covered by the Distributor's Limited Warranty.

AIR CLEANER HOUSING



1. Unscrew and remove the air cleaner cover screw, then remove the air cleaner cover.
2. Remove the paper filter from the air cleaner housing. Remove the foam filter from the cover.
3. Inspect the filters, and replace them if they are damaged.
4. Clean the filters.

Paper filter: Tap the filter several times on a hard surface to remove dirt, or blow compressed air [not exceeding 207 kPa (30 psi)] through the filter from the inside. Never try to brush off dirt; brushing will force dirt into the fibers.

Foam filter: Clean in warm soapy water, rinse, and allow to dry thoroughly. Or clean in nonflammable solvent and allow to dry. Dip the filter in clean engine oil and squeeze out all excess oil.

MAINTENANCE

NOTICE

Excess oil will restrict air flow through the foam filter and may transfer to the paper filter, soaking and clogging it.

5. Wipe dirt from the inside of the air cleaner housing and cover, using a moist rag. Be careful to prevent dirt from entering the air duct that leads to the carburetor.
6. Reinstall the filters and cover. Tighten the cover screw securely.

Spark Plug Service

RECOMMENDED SPARK PLUGS	REGULAR	RESISTOR*
NGK	BP5ES	BPR5ES
ND	W16EP-U	W16EPR-U
CHAMPION	N12Y	RN12Y

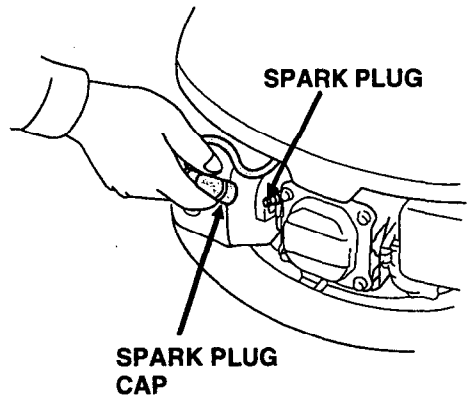
* Resistor spark plugs reduce interference with radio and TV reception.

NOTICE

Incorrect spark plugs can cause engine damage.

For good performance, the spark plug must be properly gapped and free of deposits.

1. Disconnect the spark plug cap and remove any dirt from around the spark plug area.



2. Remove the spark plug with a 21 mm ($13/16$ in) spark plug wrench.
3. Inspect the spark plug. Replace it if the electrodes are worn, or if the insulator is cracked or chipped. Clean the spark plug with a wire brush if you are going to reuse it.
4. Measure the spark plug electrode gap with a suitable gauge. The gap should be 0.7 ~ 0.8 mm (0.028 ~ 0.031 in). Correct the gap, if necessary, by carefully bending the side electrode.
5. Install the spark plug carefully, by hand, to avoid cross-threading.
6. After the spark plug seats, tighten with a 21 mm ($13/16$ in) spark plug wrench to compress the washer.

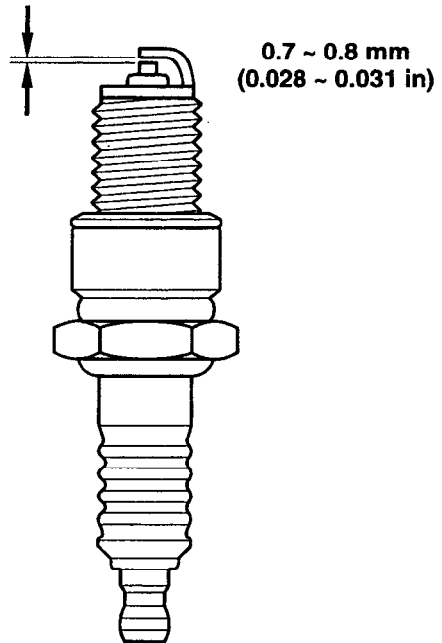
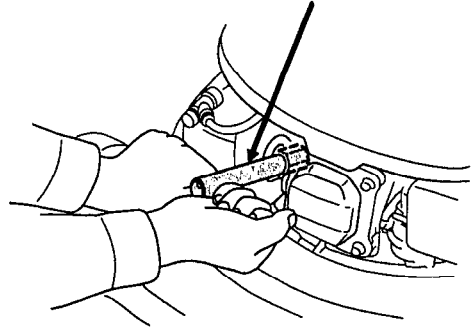
If reinstalling the old spark plug, tighten $1/8$ to $1/4$ turn after the spark plug seats.

If installing a new spark plug, tighten $1/2$ turn after the spark plug seats to compress the washer.

NOTICE

A loose spark plug can overheat and damage the engine. Overtightening the spark plug can damage the threads in the cylinder head.

SPARK PLUG WRENCH



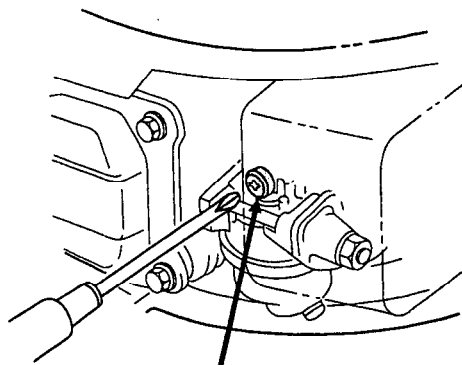
7. Install the spark plug cap on the spark plug.

MAINTENANCE

Carburetor Adjustment

1. Start the engine outdoors, and allow it to warm up to normal operating temperature.
2. Set the throttle lever in the SLOW position.
3. Turn the throttle stop screw to obtain the standard idle speed.

Standard idle speed:
2,100 ± 150 rpm



THROTTLE STOP SCREW

High Altitude Operation

At high altitude, the standard carburetor air-fuel mixture will be too rich. Performance will decrease, and fuel consumption will increase. A very rich mixture will also foul the spark plug and cause hard starting.

High altitude performance can be improved by specific modifications to the carburetor. If you always operate your mower at altitudes above 6,000 feet (1,800 meters) have an authorized Honda lawn mower dealer perform this carburetor modification.

In any case, engine horsepower will decrease about 3.5% for each 1000 foot (300 meter) increase in altitude. The effect of altitude on horsepower will be greater than this if no carburetor modification is made.

NOTICE

When the carburetor has been modified for high altitude operation, the air-fuel mixture will be too lean for low altitude use. Operation at altitudes below 6,000 feet (1,800 meters) with a modified carburetor may cause the engine to overheat and result in serious engine damage. For use at low altitudes, have an authorized Honda lawn mower dealer return the carburetor to original factory specifications.

Fuel Recommendations

Use unleaded gasoline with a pump octane rating of 86 or higher.

This engine is certified to operate on unleaded gasoline. Unleaded gasoline produces fewer engine and spark plug deposits and extends exhaust system life.

Never use stale or contaminated gasoline or an oil/gasoline mixture. Avoid getting dirt or water in the fuel tank.

Occasionally you may hear light "spark knock" or "pinging" (metallic rapping noise) while operating under heavy loads. This is no cause for concern.

If spark knock or pinging occurs at a steady engine speed, under normal load, change brands of gasoline. If spark knock or pinging persists, see an authorized Honda lawn mower dealer.

NOTICE

Running the engine with persistent spark knock or pinging can cause engine damage.

Running the engine with persistent spark knock or pinging is misuse, and the Distributor's Limited Warranty does not cover parts damaged by misuse.

For oxygenated fuel information refer to page 80.

MAINTENANCE

EMISSION CONTROL MAINTENANCE

Source of Emissions

The combustion process produces carbon monoxide, oxides of nitrogen, and hydrocarbons. Control of hydrocarbons and oxides of nitrogen is very important because, under certain conditions, they react to form photochemical smog. Carbon monoxide is an odorless, colorless gas which is poisonous. While it does not contribute directly to the formation of smog, it is deadly.

American Honda Motor Co., Inc. uses lean carburetor settings and other systems to reduce the emissions of carbon monoxide, oxides of nitrogen, and hydrocarbons.

Tampering and Alteration

Tampering with or altering the emission control system may increase emissions beyond the legal limit. Among those acts that constitute tampering are:

- Removal or alteration of any part of the intake or exhaust systems.
- Altering or defeating the governor linkage or speed-adjusting mechanism to cause the engine to operate outside its design parameters.

Problems that may Affect Emissions

If you are aware of any of the following symptoms, have your engine inspected and repaired by your authorized Honda lawn mower dealer.

- Hard starting or stalling after starting.
- Rough idle.
- Misfiring or backfiring under load.
- Afterburning (backfiring).
- Black exhaust smoke or high fuel consumption.

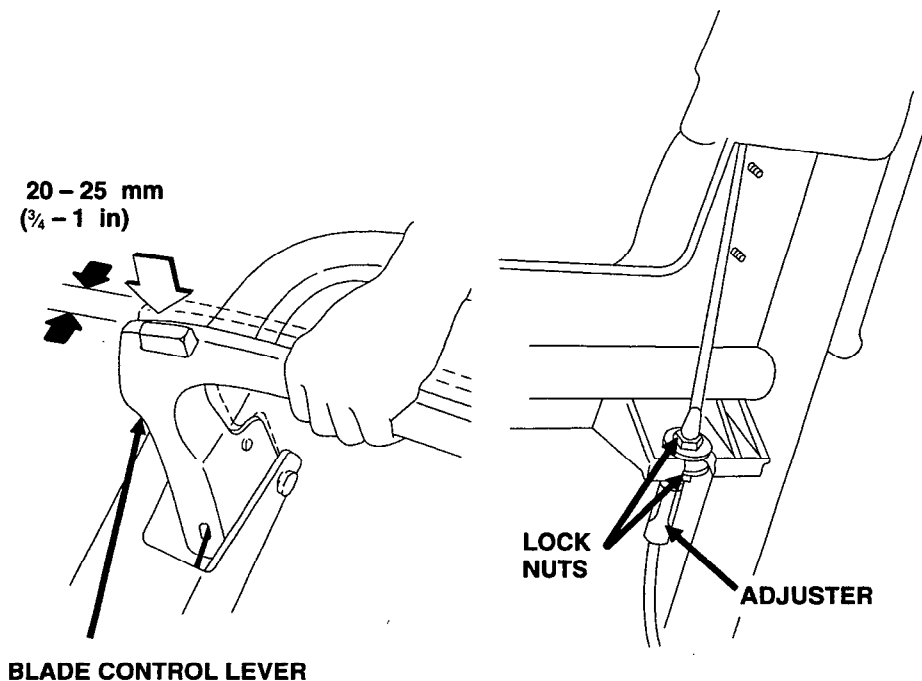
CONTROL CABLE ADJUSTMENTS

Blade Control Cable Adjustment

Measure free play at the top of the lever, while holding the button down. Free play should be 20 ~ 25 mm ($\frac{3}{4}$ ~ 1 in). If adjustment is necessary:

1. Loosen the locknuts with a 10 mm wrench, and move the adjuster up or down as required.
2. Tighten the locknuts and recheck free play.
3. Start the engine outdoors, and operate the blade control lever. Check that the blade starts when you push the lever forward and stops quickly when you release the lever.

If the blade does not start or stop as it should, with correct cable adjustment, take the mower to an authorized Honda lawn mower dealer for repair.



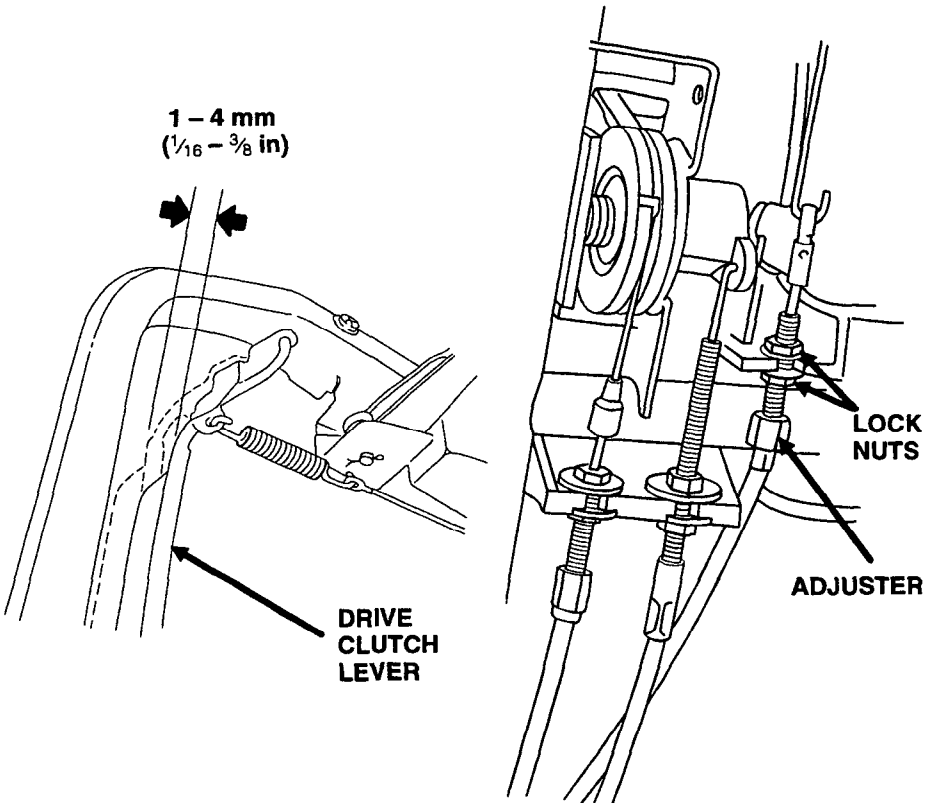
MAINTENANCE

Drive Clutch Cable Adjustment (HRM215SXA & HRB215SXA)

Measure free play at the top of the lever, as shown. Free play should be 1 ~ 4 mm ($\frac{1}{16}$ ~ $\frac{3}{8}$ in). If adjustment is necessary:

1. Loosen the lock nuts with a 10 mm wrench, and move the adjuster up or down as required.
2. Tighten the lock nuts and recheck free play.
3. Start the engine outdoors, and operate the drive clutch lever. Check that the drive clutch engages and releases properly.

If the drive clutch does not operate as it should, with correct cable adjustment, take the mower to an authorized Honda lawn mower dealer for repair.



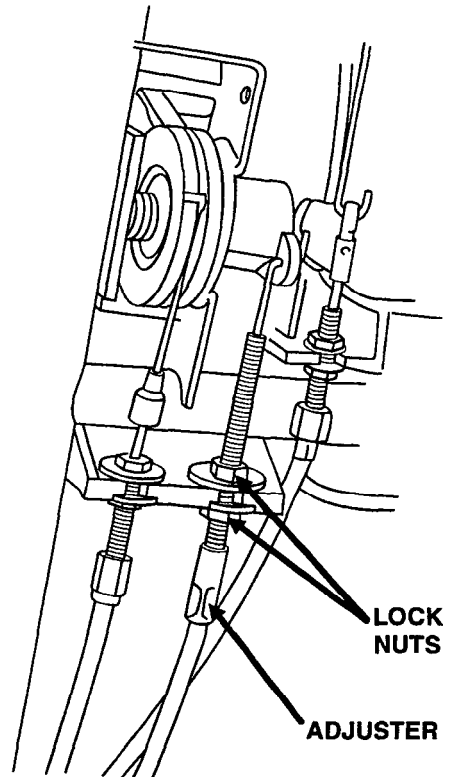
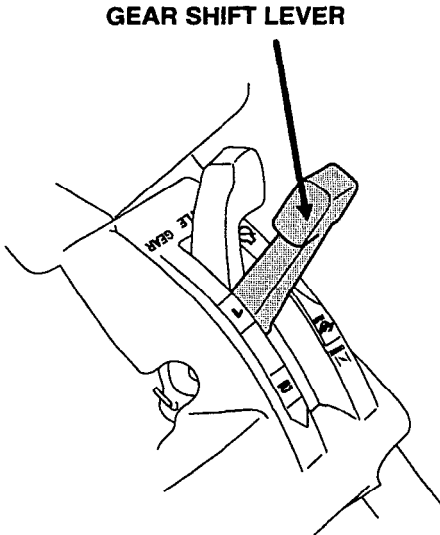
Shift Cable Adjustment (HRMSXA & HRB215SXA)

Shift cable adjustment is necessary if the shift lever does not operate smoothly or does not shift properly into a gear.

With the transmission in 1st gear, pull the gear shift lever all the way back and release it; the lever should be centered on the number "1" on the lever cover. If adjustment is necessary:

1. Loosen the lock nuts with a 10 mm wrench, and move the adjuster up or down as required.
2. Tighten the lock nuts and recheck lever alignment.
3. Start the engine outdoors, and operate the shift lever (release the drive clutch lever before moving the shift lever). Check that the transmission shifts properly, and that the lever is approximately aligned with the numbers beside it.

If the transmission does not shift as it should with correct cable adjustment, take the mower to an authorized Honda lawn mower dealer for repair.



MAINTENANCE

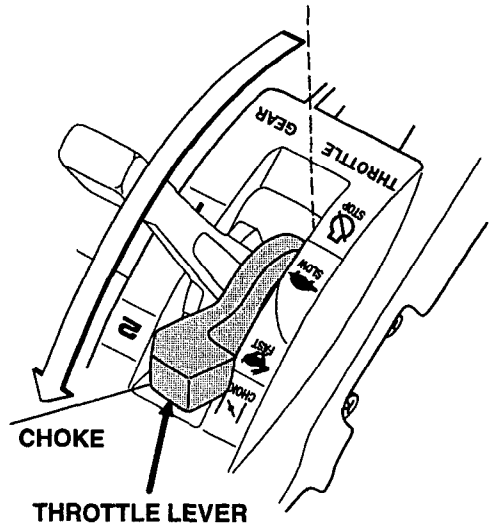
THROTTLE CABLE INSPECTION

Throttle cable adjustment is necessary if the throttle lever does not operate the choke properly.

You can inspect choke operation by observing the movement of the choke arm, which is located on top of the carburetor.

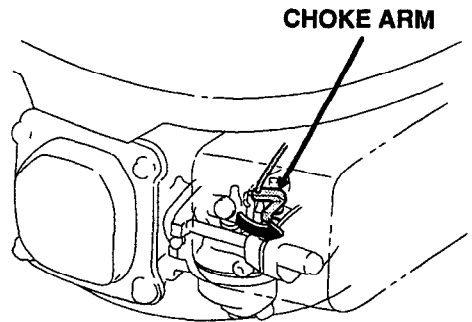
1. Move the throttle lever to the **CHOKE** position. The choke arm should move counterclockwise, until it contacts the stop post on the carburetor.

Push the choke arm with your finger to verify that it has moved as far as it will go.



2. Move the throttle lever to the **FAST** position. The choke arm should move clockwise, until it contacts the stop post on the carburetor.

Push the choke arm with your finger to verify that it has moved as far as it will go.



3. If the choke arm does not move all the way to its stop, in either direction, take the mower to an authorized Honda lawn mower dealer. Throttle cable adjustment involves related control plate adjustments.

BLADE REMOVAL AND INSTALLATION

If you remove the blade(s) for sharpening or replacement, you will need a torque wrench for installation. Wear heavy gloves to protect your hands.

BLADE SHARPENING: To avoid weakening the blade(s), or causing imbalance or poor cutting, the blade(s) should be sharpened by trained staff at an authorized Honda lawn mower dealer.

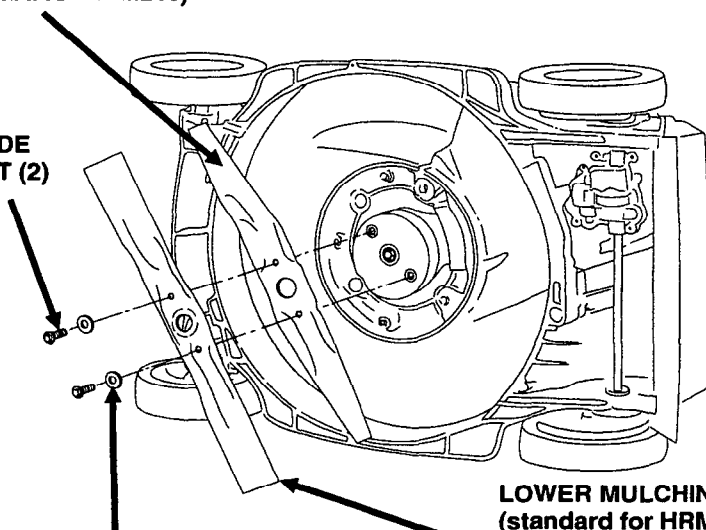
BLADE REPLACEMENT: Use genuine Honda replacement blades or their equivalent.

Blade Removal

1. Put the throttle lever in the STOP position to close the fuel valve. Disconnect the spark plug cap, then tilt the mower to the right side, so the carburetor side is up. This will help to prevent fuel leakage and hard starting due to carburetor flooding.
2. Remove the two blade bolts with a 14 mm socket wrench. Use a wooden block to prevent the blade(s) from turning when removing the bolts.
3. Remove the blade(s) from the blade control assembly.

UPPER MULCHING BLADE
(standard for HRM215)

BLADE BOLT (2)



SPECIAL WASHER (2)

LOWER MULCHING BLADE
(standard for HRM215)
or
HIGH-LIFT BLADE
(standard for HRB215)

MAINTENANCE

Blade Installation

1. Clean dirt and grass from around the blade mounting area.
2. Install the blade(s) using the two blade bolts and special washers as shown.

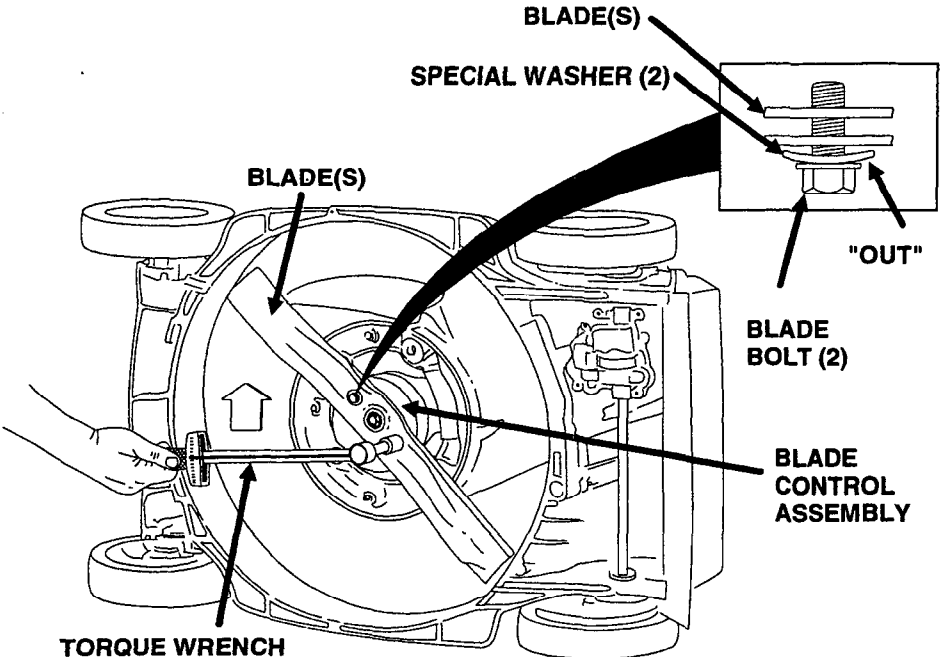
Be sure to install the special washers with the concave side toward the blade(s) and the convex side (marked OUT) toward the bolts

The blade bolts are specially designed for this application and must not be replaced with other bolts.

3. Tighten the blade bolts with a torque wrench. Use a wooden block to prevent the blade(s) from turning when tightening the bolts.

Blade bolt torque: 49 ~ 59 N·m; 5.0 ~ 6.0 kg·m (36 ~ 43 ft·lb)

If you do not have a torque wrench, have an authorized Honda lawn mower dealer tighten the blade bolts before you use the mower. If the blade bolts are overtightened, they could break. If the blade bolts are not tightened enough, they could loosen or come out. In either case, it would be possible for the blade(s) to fly off while you are operating the mower.



GRASS BAG CLEANING AND REPLACEMENT (HRB215SXA & HRB215PXA)

Grass Bag Cleaning

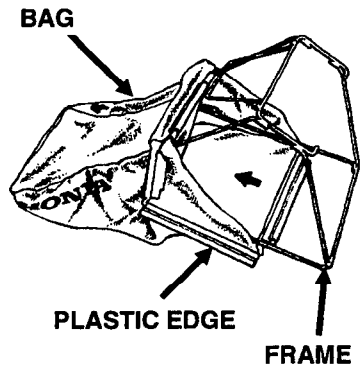
Wash the bag with a garden hose, and allow it to dry completely before use; a wet bag will clog quickly.

Grass Bag Replacement

Replace a worn or damaged bag with a Honda replacement bag or its equivalent.

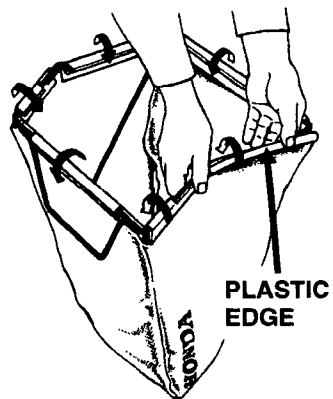
Bag Removal

1. Unclip the plastic edges of the bag from the frame.
2. Remove the bag from the frame.



Bag Installation

1. Insert the bag frame into the bag, as shown.
2. Clip the plastic edges of the bag onto the frame, as shown.



MAINTENANCE

TROUBLESHOOTING

This chapter shows what to check if you have a problem with your mower.

ENGINE PROBLEMS	62
Engine will not start	62
Loss of power	62
VIBRATION PROBLEMS	63
MOWING AND BAGGING PROBLEMS	63

TROUBLESHOOTING

ENGINE PROBLEMS

Engine Will Not Start	Possible Cause	Correction
1. Check throttle lever position.	Throttle lever in wrong position.	Move throttle lever to CHOKE position, unless the engine is warm (p. 28).
2. Check fuel.	Out of fuel. Bad fuel; mower stored without treating or draining gasoline, or refueled with bad gasoline.	Refuel (p. 21). Drain fuel tank and carburetor (p. 68). Refuel with fresh gasoline (p. 21).
3. Remove and inspect spark plug.	Spark plug faulty, fouled, or improperly gapped. Spark plug wet with fuel (flooded engine).	Clean, gap, or replace spark plug (p. 49). Dry and reinstall spark plug. Start engine with throttle lever in FAST position.
4. Take mower to Honda lawn mower dealer, or refer to shop manual.	Fuel filter clogged, carburetor malfunction, ignition malfunction, valves stuck, etc.	Take mower to Honda lawn mower dealer, or refer to shop manual.

Loss Of Power	Possible Cause	Correction
1. Check throttle position.	Throttle not set to FAST.	Move throttle to FAST (p. 30).
2. Check grass height.	Grass too tall to cut.	Raise cutting height (p. 15), cut narrower swath (p. 35), or cut more frequently.
3. Check under mower deck.	Mower deck clogged.	Clean out mower deck (p. 36).
4. Check air filters.	Air filters clogged.	Clean or replace air filters (p. 47).
5. Check fuel.	Bad fuel; mower stored without treating or draining gasoline, or refueled with bad gasoline.	Drain fuel tank and carburetor (p. 68). Refuel with fresh gasoline (p. 21).
6. Take mower to Honda lawn mower dealer, or refer to shop manual.	Fuel filter clogged, carburetor malfunction, ignition malfunction, valves stuck, etc.	Take mower to Honda lawn mower dealer, or refer to shop manual.

TROUBLESHOOTING

VIBRATION PROBLEMS

Excessive vibration	Possible Cause	Correction
1. Check mower deck and blade(s).	Grass and debris lodged under mower deck. Blade(s) loose, bent, damaged, or unbalanced by improper sharpening.	Clean out mower deck (p.36). Tighten loose blade bolts. Replace damaged blade(s) (p. 57 - 58).
2. Take mower to Honda lawn mower dealer for repair.	Mechanical damage, such as a bent crankshaft.	Take mower to Honda lawn mower dealer, or refer to shop manual.

MOWING AND BAGGING PROBLEMS

Poor Cut Quality Or Poor Mowing/Bagging Performance	Possible Cause	Correction
1. Check that the throttle lever is in the FAST position.	Engine speed is too slow to cut well.	Move throttle lever to the FAST position (p. 30).
2. Reduce forward speed.	Mower is moving too fast for lawn conditions.	Shift to slow speed (p. 31), or push slower.
3. Check cutting height adjustment levers.	Adjustment levers set at different positions.	Set all levers at the same cutting height position (p. 15).
4. Check grass bag (if equipped).	Grass bag overfilled or clogged.	Empty the grass bag. Wash the grass bag if clogged with dirt (p. 59).
5. Check mower deck and blade.	Mower deck clogged. Blade(s) dull, worn, or damaged. Wrong blade(s) installed.	Clean out the mower deck (p. 36). Sharpen or replace blade(s) if necessary (p. 57 - 58). Install correct blades (p. 57 - 58).

STORAGE

This chapter explains how to protect your mower from rust and corrosion, and ensure that it will start easily when you want to use it again.

STORAGE PREPARATION	66
Cleaning	66
Fuel	67
Adding fuel stabilizer to extend fuel storage life	67
Draining the Fuel Tank and Carburetor	68
Engine Oil	68
Engine Cylinder	69
Handlebar Folding	70
PLACING IN STORAGE	71
REMOVING FROM STORAGE	71

STORAGE

STORAGE PREPARATION

Proper storage preparation is essential for keeping your lawn mower trouble free and looking good. The following steps will help to keep rust and corrosion from impairing your mower's function and appearance, and will make the engine easier to start when you use the mower again.

Cleaning

Clean all surfaces of the mower, including the underside of the mower deck. Wear heavy gloves to protect your hands from the blade and disconnect the spark plug cap.

Before cleaning the underside of the mower deck, be sure the throttle lever is in the STOP position to shut off the fuel valve. Rest the mower on its right side, so the carburetor side is up. This will help to prevent fuel leakage and hard starting due to carburetor flooding.

1. If the mower has been running, allow the engine to cool for at least half an hour before spraying water on it. Never spray water on a hot engine. Cooling the engine too quickly can cause damage.
2. Wash the mower with a garden hose or other low pressure equipment.
3. Try to keep water away from controls, cable ends, wheel hubs, transmission and all other places that are difficult to dry if water enters as water may promote rust.
4. After washing, set the mower in an upright position again, remove as much standing water as possible with a dry cloth, start the engine outdoors, and let it run until it reaches normal operating temperature to evaporate any water remaining on the engine.
5. With the engine running, operate the blade control lever 4 or 5 times to expel water from the blade control mechanism. Allow the blade to spin for several minutes to ensure that no water remains.
6. Stop the engine, and allow it to cool.
7. If equipped with a grass bag, wash the grass bag with a garden hose and allow it to dry completely.
8. After the mower is clean and dry, coat metal areas that may rust with a light film of oil. Lubricate all control cable cores with a silicone spray lubricant.

Fuel

Gasoline will oxidize and deteriorate in storage. Old gasoline will cause hard starting, and it leaves gum deposits that clog the fuel system. If the gasoline in your mower deteriorates during storage, you may need to have the carburetor and other fuel system components, serviced or replaced.

The length of time that gasoline can be left in your fuel tank and carburetor without causing functional problems will vary with such factors as gasoline blend, your storage temperatures, and whether the fuel tank is partially or completely filled. The air in a partially filled fuel tank promotes fuel deterioration. Very warm storage temperatures accelerate fuel deterioration. Fuel deterioration problems may occur within a few months, or even less if the gasoline was not fresh when you filled the fuel tank.

The Distributor's Limited Warranty does not cover fuel system damage or engine performance problems resulting from neglected storage preparation.

You can extend fuel storage life by adding a gasoline stabilizer that is formulated for that purpose, or you can avoid fuel deterioration problems by draining the fuel tank and carburetor.

Adding fuel stabilizer to extend fuel storage life:

When adding a fuel stabilizer, fill the fuel tank with fresh gasoline. If only partially filled, air in the tank will promote fuel deterioration during storage. If you keep a container of gasoline for refueling, be sure that it contains only fresh gasoline.

1. Add fuel stabilizer following manufactures instructions.
2. After adding a fuel stabilizer, run the engine outdoors for 10 minutes to be sure that treated gasoline has replaced the untreated gasoline in the carburetor.
3. Stop the engine, and leave the throttle lever in the STOP position. This turns off the fuel valve between the fuel tank and the carburetor.

STORAGE

Draining the Fuel Tank and Carburetor:

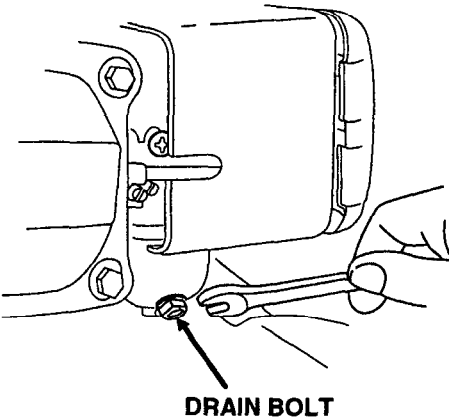
1. Remove the carburetor drain bolt with a 10 mm wrench, and drain the carburetor bowl fuel into an approved container.

⚠ WARNING

Gasoline is highly flammable and explosive and you can be burned or seriously injured when handling fuel.

- Stop engine and keep heat, sparks, and flame away.
- Refuel only outdoors.
- Wipe up spills immediately.

2. Move the throttle lever to the SLOW or FAST position to open the fuel valve. This will allow fuel in the fuel tank to drain through the carburetor bowl.



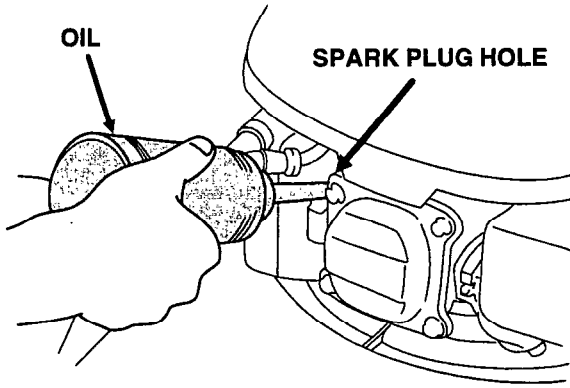
3. Reinstall the drain bolt.

Engine Oil

Change the engine oil (see page 45).

Engine Cylinder

Remove the spark plug (see page 49). Pour a tablespoon (5 ~ 10 cc) of clean engine oil into the cylinder. Pull the starter rope several times to distribute the oil in the cylinder. Reinstall the spark plug.

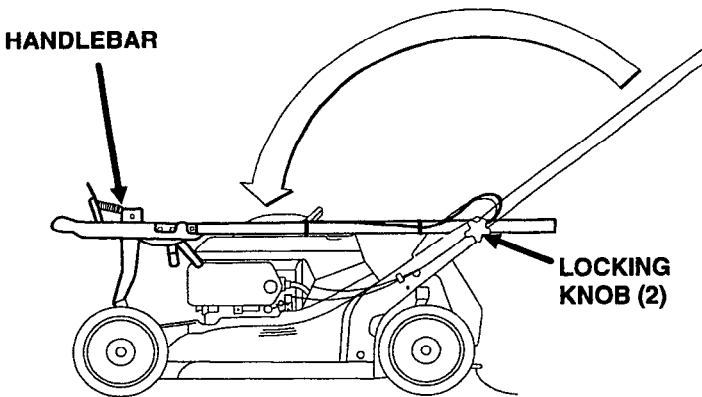


STORAGE

Handlebar Folding

The handlebar can be folded for storage or transport by loosening the handlebar locking knobs.

1. Remove the grass bag, if so equipped. You can place it on top of the engine, with the bag opening to the front.
2. Loosen the handlebar locking knobs.
3. Spread the lower ends of the handlebar struts to release the locating pins.
4. Fold the handlebar forward, over the top of the mower. When folding the handlebar, be careful to avoid kinking or pinching the control cables.



PLACING IN STORAGE

If your mower will be stored with gasoline in the fuel tank and carburetor, it is important to reduce the hazard of gasoline vapor ignition. Select a well-ventilated storage area away from any appliance that operates with a flame, such as a furnace, water heater, or clothes dryer. Also avoid any area with a spark-producing electric motor, or where power tools are operated.

If possible, avoid storage areas with high humidity, because that promotes rust and corrosion.

Unless all fuel has been drained from the fuel tank, leave the throttle lever in the STOP position to close the fuel valve and reduce the possibility of fuel leakage.

Place the mower with its wheels on a level surface. Tilting can cause fuel or oil leakage.

The handlebar can be folded for compact storage (see page 70).

With the engine and exhaust system cool, cover the mower to keep out dust. A hot engine and exhaust system can ignite or melt some materials. Do not use sheet plastic as a dust cover. A nonporous cover will trap moisture around the mower, promoting rust and corrosion.

REMOVING FROM STORAGE

Check your mower as described in the BEFORE OPERATION chapter of this manual.

If the fuel was drained during storage preparation, fill the tank with fresh gasoline. If you keep a container of gasoline for refueling, be sure that it contains only fresh gasoline. Gasoline oxidizes and deteriorates over time, causing hard starting.

If the cylinder was coated with oil during storage preparation, the engine will smoke briefly at startup. This is normal.

SPECIFICATIONS

This chapter gives dimensions, capacities, and other technical information.

MOWER MODEL	74
DIMENSION, WEIGHTS, AND CAPACITIES	74
ENGINE DESIGN AND PERFORMANCE	75
TRANSMISSION DESIGN AND PERFORMANCE	75
MAINTENANCE	76
TUNEUP	76

SPECIFICATIONS

MOWER MODEL

HRB215PXA: Manually propelled, high-lift blade and grass bag
HRB215SXA: Self-propelled, high-lift blade and grass bag
HRM215PXA: Manually propelled, mulching blade and mulching plug
HRM215SXA: Self-propelled, mulching blade and mulching plug

DIMENSIONS, WEIGHTS, AND CAPACITIES

Maximum Length (handlebar extended)	Handlebar high: 1,505 mm (59 $\frac{1}{4}$ in) Handlebar mid: 1,580 mm (62 $\frac{3}{16}$ in) Handlebar low: 1,635 mm (64 $\frac{3}{8}$ in)
Minimum Length (handlebar folded)	1062 mm (41 $\frac{13}{16}$ in)
Width at Mower Deck	580 mm (22 $\frac{13}{16}$ in)
Overall height (with cutting height set at 64 mm (2 $\frac{1}{2}$ in))	Handlebar high: 1,040 mm (40 $\frac{15}{16}$ in) Handlebar mid: 985 mm (38 $\frac{13}{16}$ in) Handlebar low: 925 mm (36 $\frac{7}{16}$ in) Handlebar folded: 483 mm (19 in)
Dry weight	HRB215PXA & HRM215PXA: 40.0 kg (88.2 lb) HRB215SXA & HRM215SXA: 43.0 kg (94.8 lb)
Cutting Width	530 mm (21 in)
Approximate Cutting Height (adjustable)	HRB215: 19 mm ($\frac{3}{4}$ in), 25 mm (1 in), 38 mm (1 $\frac{1}{2}$ in), 51 mm (2 in), 64 mm (2 $\frac{1}{2}$ in), 77 mm (3 in) HRM215: 25 mm (1 in), 38 mm (1 $\frac{1}{2}$ in), 51 mm (2 in), 64 mm (2 $\frac{1}{2}$ in), 77 mm (3 in), 90 mm (3 $\frac{1}{2}$ in)
Fuel Tank Capacity	1.0 ℓ (0.26 US gal)
Engine Oil Capacity	0.6 ℓ (0.63 US qt)
Grass Bag Capacity	83 ℓ (2.4 bushels; 2.9 cu ft; 21.9 US gal)

SPECIFICATIONS

ENGINE DESIGN AND PERFORMANCE

Engine Model	GXV140K1
Engine Type	4-stroke, overhead-valve, single cylinder, forced air-cooled
Displacement	135 cc (8.2 cu in)
Bore and Stroke	64 x 42 mm (2.52 x 1.65 in)
Compression Ratio	8:1
Ignition System	Transistorized magneto
Maximum Horsepower	3.7 kW, (5.0 bhp) at 3,600 rpm
Maximum Torque	10.3 N·m , (7.6 ft-lb) at 2,700 rpm

TRANSMISSION DESIGN AND PERFORMANCE

HRB215SXA & HRM215SXA

Transmission Type	2 speed, manual shift
Mower Ground Speed (with engine at 3,300 rpm)	1 (SLOW): 3.17 km/h (1.97 mph) 2 (FAST): 5.00 km/h (3.11 mph)

SPECIFICATIONS

MAINTENANCE

Fuel	Unleaded gasoline with a pump octane rating of 86 or higher	See page 51.
Engine Oil	SAE 10W-30 SH, SF for general, all-temperature use	See page 45.
Spark Plug Type	NGK: BP5ES or BPR5ES ND: W16EP-U or W16EPR-U Champion: N12Y or RN12Y	See page 48.
Maximum Governed Speed	3,150 – 3,300 rpm	See shop manual.
Blade Control Cable	Adjust for 20 ~ 25 mm ($\frac{3}{4}$ ~ 1 in) free play at blade control lever.	See page 53.
Drive Clutch Cable (HRM215SXA & HRB215SXA)	Adjust for 1 ~ 4 mm ($\frac{1}{16}$ ~ $\frac{3}{16}$ in) free play at drive clutch lever.	See page 54.
Shift Cable (HRM215SXA & HRB215SXA)	Adjust for smooth operation.	See page 55.
Throttle Cable	Adjust for proper choke operation and maximum governed speed.	See shop manual.
Blade Bolt Torque	49 ~ 59 N·m; 5.0 ~ 6.0 kg·m (36 ~ 43 ft·lb)	See page 58.

TUNEUP

Spark Plug Gap	0.7 ~ 0.8 mm (0.028 ~ 0.031 in)	See page 49.
Idle Speed (blade control disengaged)	2,100 ± 150 rpm	See page 50.
Valve Clearance (cold)	Intake: 0.15 ± 0.02 mm (0.006 ± 0.001 in) Exhaust: 0.20 ± 0.02 mm (0.008 ± 0.001 in)	See shop manual.
Other Specifications	No other adjustments needed.	

ADDITIONAL INFORMATION

This chapter contains additional information, Honda publications available to you, and tells you how to contact us if you have a question or a warranty repair problem.

HONDA PUBLICATIONS	78
Shop Manual	78
Parts Catalog	78
CUSTOMER SERVICE INFORMATION	79
OXYGENATED FUELS	80
SPARK ARRESTER SERVICE (OPTIONAL EQUIPMENT)	81

ADDITIONAL INFORMATION

HONDA PUBLICATIONS

These publications will give you additional information for maintaining and repairing your mower. You may order them from your Honda lawn mower dealer.

Shop Manual

This manual covers complete maintenance and overhaul procedures. It is intended to be used by a skilled technician.

Parts Catalog

This manual provides complete, illustrated parts lists.

ADDITIONAL INFORMATION

CUSTOMER SERVICE INFORMATION

Honda Power Equipment dealership personnel are trained professionals. They should be able to answer any question you may have. If you encounter a problem that your dealer does not solve to your satisfaction, please discuss it with the dealership's management. The Service Manager or General Manager can help. Almost all problems are solved in this way.

If you are dissatisfied with the decision made by the dealership's management, contact the Honda Power Equipment Customer Service Office. You can write:

American Honda Motor Co., Inc.
Honda Power Equipment Division
Customer Service Office
4475 River Green Parkway
Duluth, GA 30136-2565

Or telephone: (404) 497-6400

When you write or call, please give us this information:

- Model and serial numbers (see page 11)
- Name of the dealer who sold the lawn mower to you
- Name and address of the dealer who services your lawn mower
- Date of purchase
- Your name, address, and telephone number
- A detailed description of the problem

Current customer service contact information:

United States, Puerto Rico, and U.S. Virgin Islands:

Honda Power Equipment dealership personnel are trained professionals. They should be able to answer any question you may have. If you encounter a problem that your dealer does not solve to your satisfaction, please discuss it with the dealership's management. The Service Manager or General Manager can help. Almost all problems are solved in this way.

If you are dissatisfied with the decision made by the dealership's management, contact the Honda Power Equipment Customer Relations Office. You can write:

American Honda Motor Co., Inc.
Power Equipment Division
Customer Relations Office
4900 Marconi Drive
Alpharetta, GA 30005-8847

Or telephone: (770) 497-6400 M-F, 8:30 am - 7:00 pm EST

When you write or call, please provide the following information:

- Model and serial numbers
- Name of the dealer who sold the Honda power equipment to you
- Name and address of the dealer who services your equipment
- Date of purchase
- Your name, address, and telephone number
- A detailed description of the problem

ADDITIONAL INFORMATION

OXYGENATED FUELS

Some conventional gasolines are being blended with alcohol or an ether compound. These gasolines are collectively referred to as oxygenated fuels. To meet clean air standards, some areas of the United States and Canada use oxygenated fuels to help reduce emissions.

If you use an oxygenated fuel, be sure it is unleaded and meets the minimum octane rating requirement.

Before using an oxygenated fuel, try to confirm the fuel's contents. Some states/provinces require this information to be posted on the pump.

The following are the EPA approved percentages of oxygenates:

ETHANOL — (ethyl or grain alcohol) 10% by volume
You may use gasoline containing up to 10% ethanol by volume. Gasoline containing ethanol may be marketed under the name "Gasohol".

MTBE — (Methyl Tertiary Butyl Ether) 15% by volume
You may use gasoline containing up to 15% MTBE by volume.

METHANOL — (methyl or wood alcohol) 5% by volume
You may use gasoline containing up to 5% methanol by volume, as long as it also contains cosolvents and corrosion inhibitors to protect the fuel system. Gasoline containing more than 5% methanol by volume may cause starting and/or performance problems. It may also damage metal, rubber, and plastic parts of your fuel system.

If you notice any undesirable operating symptoms, try another service station, or switch to another brand of gasoline.

Fuel system damage or performance problems resulting from the use of an oxygenated fuel containing more than the percentages of oxygenates mentioned above are not covered under warranty.

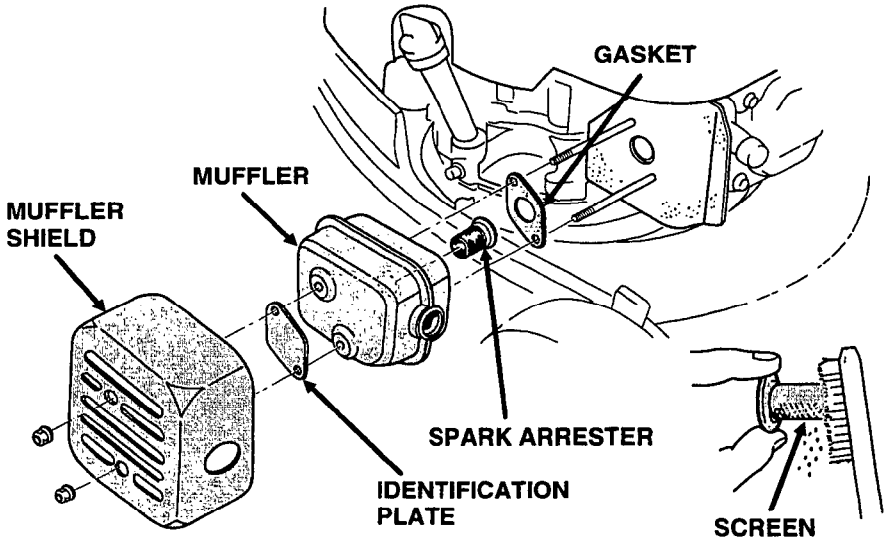
ADDITIONAL INFORMATION

SPARK ARRESTER SERVICE (OPTIONAL EQUIPMENT)

The engine in your lawn mower is not factory-equipped with a spark arrester. In some areas, it is illegal to operate an engine without a spark arrester. Check local laws and regulations. A spark arrester is available from authorized Honda lawn mower dealers.

The spark arrester must be serviced every 100 hours to keep it functioning as designed.

1. Allow the engine to cool, then remove the two nuts from the muffler shield, using a 10 mm socket wrench.
2. Remove the muffler shield, identification plate, muffler, and gasket.
3. Remove the spark arrester from the muffler.
4. Check for carbon deposits on the spark arrester and the exhaust port. Brush carbon deposits away. Be careful to avoid damaging the spark arrester screen.
5. Install the spark arrester in the muffler.
6. Install the muffler components on the engine, and tighten the two nuts securely.



ADDITIONAL INFORMATION

INDEX

A

- Air Cleaner Inspection.....22
- Air Cleaner Service 47

B

- Blade:
 - Inspection 19
 - Installation58
 - Removal57
- Blade Control Lever:
 - Cable Adjustment.....53
 - Operation 13 & 30

C

- Carburetor:
 - Adjustment50
 - High Altitude Operation50
- Choke12 & 28
- Clogged Mower Deck.....36
- Clothing Recommendations...26
- Component Identification 10
- Contents 3
- Control Cable Adjustments:
 - Blade Control Cable53
 - Drive Clutch Cable54
 - Shift Cable55
- Customer Service
 - Information 79
- Cutting Height:
 - Adjustment Levers 15
 - Recommendations35
- Cutting Width
 - Recommendations35

D

- Damage Prevention Message
 - Definition 2
- Description of Controls 12
- Drive Clutch Lever:
 - Cable Adjustment 54
 - Operation 13 & 31

E

- Emission Control System 52
- Engine:
 - Fuel Recommendations..... 51
 - Maintenance 45
 - Oil Change 45
 - Oil Level 20
 - Oil Recommendations 45
 - Refueling.....21
 - Serial Number 11
 - Specifications..... 73
 - Starting.....28
 - Stopping.....32
 - Troubleshooting 61

F

- Fallen Leaves; Bagging 36
- Frame Serial Number 11
- Fuel:
 - Additive to Extend Storage
 - Life 67
 - Gasoline
 - Recommendations..... 51
 - Draining 68
 - Refueling.....21

INDEX

G

- Gasoline
 - Recommendations51
- Grass Bag:
 - Cleaning59 & 66
 - Inspection24
 - Removal and Installation....24
 - Replacement59

H

- Handlebar Height
 - Adjustment23
- Handlebar Folding.....70
- High Altitude Operation.....50

I

- Inspection Before Mowing:
 - Lawn.....18
 - Mower.....19
- Introduction1

L

- Lawn:
 - Inspection Before Mowing .18
 - Mowing Tips35
 - Safe Mowing Practices33
- Leaves; Bagging36

M

- Maintenance:
 - Blade Removal and
 - Installation57
 - Cable Adjustments53
 - Engine45
 - Grass Bag Cleaning &
 - Replacement59
 - Owner's Responsibility.....43
 - Precautions42
 - Schedule44

- Specifications.....73
- Mower Deck Clogging36
- Mowing:
 - Around Obstacles, Gravel,
 - Objects34
 - Dry & Wet Grass.....36
 - Fallen Leaves36
 - Patterns.....37
 - Slopes33
 - Tips35
 - When to Mow35
- Mulching Plug25

O

- Oil (for engine):
 - Change45
 - Level Check.....20
 - Recommendations.....45
- Operating the Controls for
 - Mowing30

P

- Pre-Operation Check:
 - Lawn18
 - Mower19
- Publications78

S

- Safety:
 - Important Message to
 - Parents7
 - Safe Mowing Practices.....33
 - Important Safety
 - Information.....6
 - Safety Label Locations8
 - Safety Message Definitions 2
- Serial Numbers11
- Shift Lever:
 - Cable Adjustment55
 - Operation14 & 31

Spark Arrester Service
 (Optional Part)81

Spark Plug Recommendations
 & Service 48

Specifications:

- Capacities 74
- Dimensions 74
- Engine Design and
 Performance 75
- Maintenance 76
- Transmission Design and
 Performance 75
- Tuneup 76
- Weights 74

Starting the Engine 28

Stopping the Engine 32

Storage:

- Placing In Storage 71
- Preparation 66
- Removing From Storage 71

W

Washing:

- Grass Bag 59 & 66
- Mower 66

T

Throttle Lever:

- Cable Inspection 56
- Operation 12 & 30

Transmission:

- Drive Clutch Cable
 Adjustment 54
- Drive Clutch Lever
 Operation 13 & 31
- Shift Lever
 Operation 14 & 31
- Specifications 73

Transporting 39

Troubleshooting:

- Engine Problems 62
- Mowing and Bagging
 Problems 63
- Vibration Problems 63

Tuneup Specifications 76

Quick Reference Information

Fuel	Type	Unleaded gasoline with pump octane rating of 86 or higher (page 51).
	Capacity	1.0 / (0.26 US gallons)
Engine Oil	Type	High detergent, SAE 10W/30 API SH,SF (page 45)
	Capacity	0.6 / (0.63) US quarts)
Spark Plug	Type	Regular: NGK BP5ES, ND W16WP-U, Champion N12Y Resistor: NGK BPR5ES, ND W163EPR-U, Champion RN12Y
	Gap	0.7 ~ 0.8 mm (0.028 ~ .030 in) (page 49)
Blade bolts	Torque	49 ~ 59 N.m (5.0 ~ 6.0 kg-m, 36 ~ 43 ft-lb) (page 58)
Carburetor	Idle speed	2,100 ±150 rpm, blade control disengaged (page 50)
Maintenance	Before each use	Check blade(s) and bolt tightness (pages 19 & 58). Check grass bag (page 24 & 59). Check engine oil level (page 20). Check air cleaner (page 22).
	First 20 hours	Change engine oil (page 45). Check blade control mechanism (dealer service). Adjust blade control cable (page 53). Adjust drive clutch cable (page 54). Adjust shift cable if applicable (page 55). Adjust throttle cable (dealer service).
	Subsequent	Refer to maintenance schedule on page 44.

HONDA

31VE2A20
00X31-VE2-A020



Printed on
Recycled Paper

AHM 3009811

PRINTED IN U.S.A.

