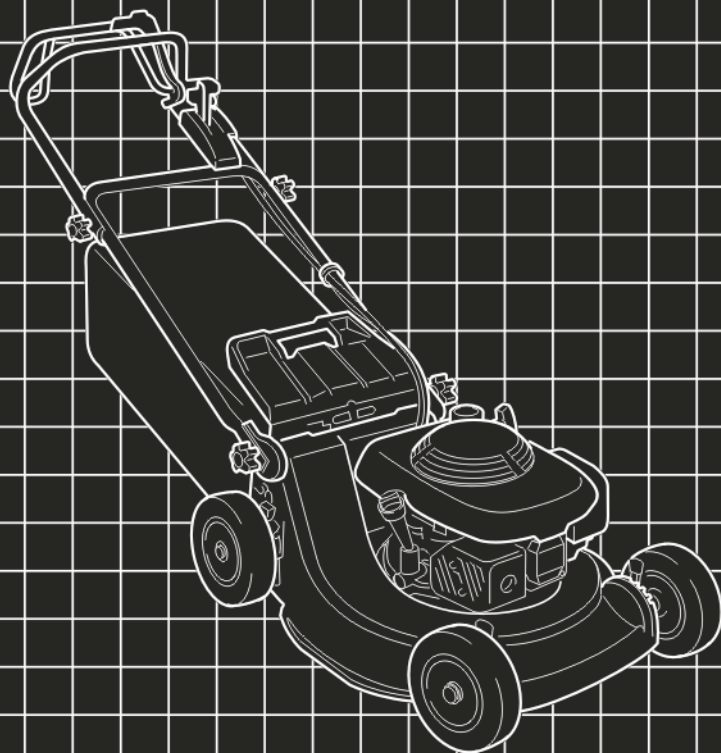


**HONDA**

**Power**

**Equipment**

**Owner's Manual**  
**Rotary Mower**  
**HR215SXA • HR215HXA**  
**HR215HMA**



Keep this owner's manual handy, so you can refer to it anytime, and make sure the manual stays with the mower if you sell it.

The information and specifications included in this publication were in effect at the time of approval for printing. Honda Power Equipment Mfg., Inc. reserves the right, however, to discontinue or change specifications or design at any time without notice and without incurring any obligation whatever.

Honda lawn mowers meet Consumer Product Safety Commission (CPSC) blade safety requirements for walk-behind rotary mowers.

**CALIFORNIA PROPOSITION 65 WARNING: Engine exhaust from this product contains chemicals known to the State of California to cause cancer, birth defects, and other reproductive harm.**

Congratulations on your selection of a Honda lawn mower. We are certain you will be pleased with your purchase of one of the finest lawn mowers on the market.

We want to help you get the best results from your new mower and to operate it safely. This manual contains the information on how to do that; please read it carefully.

Keep this owner's manual handy, so you can refer to it any time, and make sure the manual stays with the lawn mower if you sell it.

We suggest you read the warranty policy to fully understand its coverage and your responsibilities of ownership. The warranty policy is a separate document that should have been given to you by your dealer.

When your mower needs scheduled maintenance, keep in mind that an authorized Honda servicing dealer is specially trained in servicing Honda mowers and is supported by the parts and service divisions of American Honda. An authorized Honda servicing dealer is dedicated to your satisfaction and will be pleased to answer your questions and concerns.

Best Wishes,  
Power Equipment Division  
American Honda Motor Co., Inc.


©1994 American Honda Motor Co., Inc. – All Rights Reserved

# INTRODUCTION

---

## SAFETY MESSAGES

Your safety and the safety of others is very important. We have provided important safety messages in this manual and on the lawn mower. Please read these messages carefully.

A safety message alerts you to potential hazards that can hurt you and others. Each safety message is preceded by a safety alert symbol  and one of three words: DANGER, WARNING, or CAUTION.

These mean:

 **DANGER**

You **WILL** be **KILLED** or **SERIOUSLY HURT** if you don't follow instructions.

 **WARNING**

You **CAN** be **KILLED** or **SERIOUSLY HURT** if you don't follow instructions.

 **CAUTION**

You **CAN** be **HURT** if you don't follow instructions.

Each message tells you what the hazard is, what can happen, and what you can do to avoid or reduce injury.

---

## DAMAGE PREVENTION MESSAGES

You will also see other important messages that are preceded by the word NOTICE.

This word means:

**NOTICE**

Your lawn mower or other property can be damaged if you don't follow instructions.

The purpose of these messages is to help prevent damage to your lawn mower, other property, or the environment.

# CONTENTS

Turn to the beginning of each chapter for a complete list of subjects.

<b>1. MOWER SAFETY</b> .....	<b>5</b>
Important information about some specific hazards, and what you can do to prevent injury.	
<b>2. CONTROLS</b> .....	<b>9</b>
Identification of components and information about how the controls work.	
<b>3. BEFORE OPERATION</b> .....	<b>17</b>
How to fuel and check your mower to be sure it is ready. How to prepare your lawn and yourself before you begin mowing.	
<b>4. OPERATION</b> .....	<b>27</b>
Starting and stopping the engine, safe mowing practices, and mowing tips.	
<b>5. TRANSPORTING</b> .....	<b>39</b>
How to load and carry your mower safely.	
<b>6. MAINTENANCE</b> .....	<b>41</b>
When and how to perform routine inspection, service, and adjustments to keep your mower in good operating condition.	
<b>7. TROUBLESHOOTING</b> .....	<b>65</b>
What to check if you have a problem with your mower.	
<b>8. STORAGE</b> .....	<b>69</b>
How to protect your mower from rust and corrosion, and ensure that it will start easily when you want to use it again.	
<b>9. SPECIFICATIONS</b> .....	<b>77</b>
Dimensions, capacities, and other technical information.	
<b>10. INDEX</b> .....	<b>81</b>
<b>11. ADDITIONAL INFORMATION</b> .....	<b>85</b>
Additional information, Honda publications available to you, and how to contact us if you have a question or a warranty repair problem.	



# 1. MOWER SAFETY

This chapter explains what you need to know to operate your mower safely.

<b>IMPORTANT SAFETY INFORMATION</b> .....	<b>6</b>
Avoid Rotating Blades .....	6
Clear Mowing Area .....	6
Keep Shields in Place .....	6
Refuel with Care .....	6
Wear Protective Clothing .....	6
Turn Engine Off When Not Mowing .....	6
<b>IMPORTANT MESSAGE TO PARENTS</b> .....	<b>7</b>
<b>SAFETY LABEL LOCATIONS</b> .....	<b>8</b>

# MOWER SAFETY

---

## IMPORTANT SAFETY INFORMATION

Most accidents with walk-behind mowers can be prevented if you follow all instructions in this manual and on the mower. The most common hazards, according to accident statistics, are discussed below, along with the best way to protect yourself and others.

### **Avoid Rotating Blades**

Rotating blades can cause serious cuts and even amputate fingers, hands, toes, or feet. Keep away from the mower deck whenever the engine is running. If you need to adjust the cutting height, or work around the deck for any other reason, always shut off the engine. Wear heavy gloves and disconnect the spark plug cap when you need to clean the mower deck or handle the blade.

### **Clear Mowing Area**

Mower blades can throw rocks and other objects with enough force to cause serious injury. Before mowing, carefully inspect the area and remove all sticks, stones, pieces of wire, and other loose objects. Never operate the blade over gravel.

### **Keep Shields in Place**

Guards and shields are designed to protect you from being hit by thrown objects and from hot engine parts and moving components. For your safety and the safety of others, keep all shields in place when the engine is running.

### **Refuel with Care**

Gasoline is extremely flammable and gasoline vapor can explode. Refuel only outdoors, in a well-ventilated area, with the engine OFF. Never smoke near gasoline, and keep other flames and sparks away. Always store gasoline in an approved container.

### **Wear Protective Clothing**

Wearing protective clothing will reduce your risk of injury. Long pants and eye protection reduce the risk of injuries from thrown objects. Sturdy shoes with aggressive soles will help protect your feet and give you better traction on slopes or uneven ground.

### **Turn Engine Off When Not Mowing**

If you need to leave the mower for any reason, even just to inspect the lawn ahead, always turn the engine off.



## **IMPORTANT MESSAGE TO PARENTS**

**YOUR CHILDREN'S SAFETY IS VERY IMPORTANT** to Honda. That's why we urge you to read this message before letting your youngster operate this lawn mower. Lawn mowers are tools, not toys. As with any equipment, bad judgments can result in serious injuries. You can help prevent accidents by making good decisions about if, when, and how your youngster operates this equipment.

The first question you'll need to ask is whether your youngster is capable of operating this mower safely. Remember, young people vary widely, and **AGE IS NOT THE ONLY FACTOR**.

Physically, a youngster must be **LARGE ENOUGH AND STRONG ENOUGH** to easily start the mower and control its direction. The youngster also needs enough size, strength, and coordination to comfortably reach and operate the controls.

Another, tougher question you need to ask is if your youngster has enough **MATURITY AND RESPONSIBILITY** to safely operate this mower. Does the young person think through problems and come to logical solutions? Be honest! Anyone who takes unnecessary risks and doesn't obey rules should not operate this lawn mower.

If you decide that your son or daughter can handle the mower safely, **CAREFULLY READ THE OWNER'S MANUAL** with your youngster. Make sure you both understand all instructions and safety information. Also, be sure your youngster wears sturdy shoes and other protective clothing when operating or handling the mower.

**SUPERVISION** is also very important. Walk with your youngster during the first few minutes of mowing. Even after the youngster has become confident with the mower, do not let the young person use the mower without good adult supervision. An adult should also be present during refueling and maintenance. In fact, it's up to parents to make sure that the mower is properly maintained and kept in safe operating condition.

By always placing safety first, your youngster will acquire useful skills and a sense of accomplishment. And you'll both get the best results from your lawn mower.

# MOWER SAFETY

## SAFETY LABEL LOCATIONS

The labels shown here contain important safety information. Please read them carefully. These labels are considered permanent parts of your mower. So if a label comes off or becomes hard to read, contact your dealer for a replacement.

### **⚠ WARNING**

**DO NOT START UNLESS GUARD IS CLOSED OR BAG IS IN PLACE.**

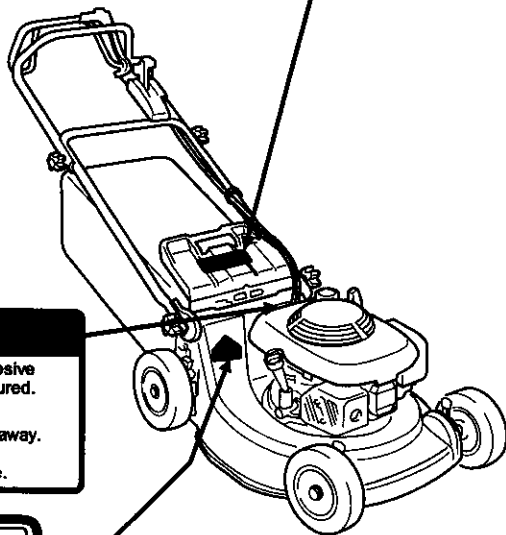
- READ OWNER'S MANUAL BEFORE OPERATING.
- DISCONNECT THE SPARK PLUG CAP BEFORE SERVICING THE DECK OR BLADE.
- DO NOT ALLOW ANYONE TO STAND IN FRONT OF MOWER.
- TO PREVENT INJURY FROM THROWN OBJECTS; CLEAR AREA OF DEBRIS KEEP OTHERS AWAY.
- TO PREVENT SERIOUS INJURY, DO NOT REACH INSIDE WHEN ENGINE IS RUNNING.
- DO NOT REMOVE GUARDS.

### **⚠ WARNING**

Gasoline is highly flammable and explosive and you can be burned or seriously injured.

When refueling:

- Keep heat, sparks, and open flame away.
- Fill fuel tank only outdoors.
- Wipe up spills before starting engine.



VA3LAAA CDR

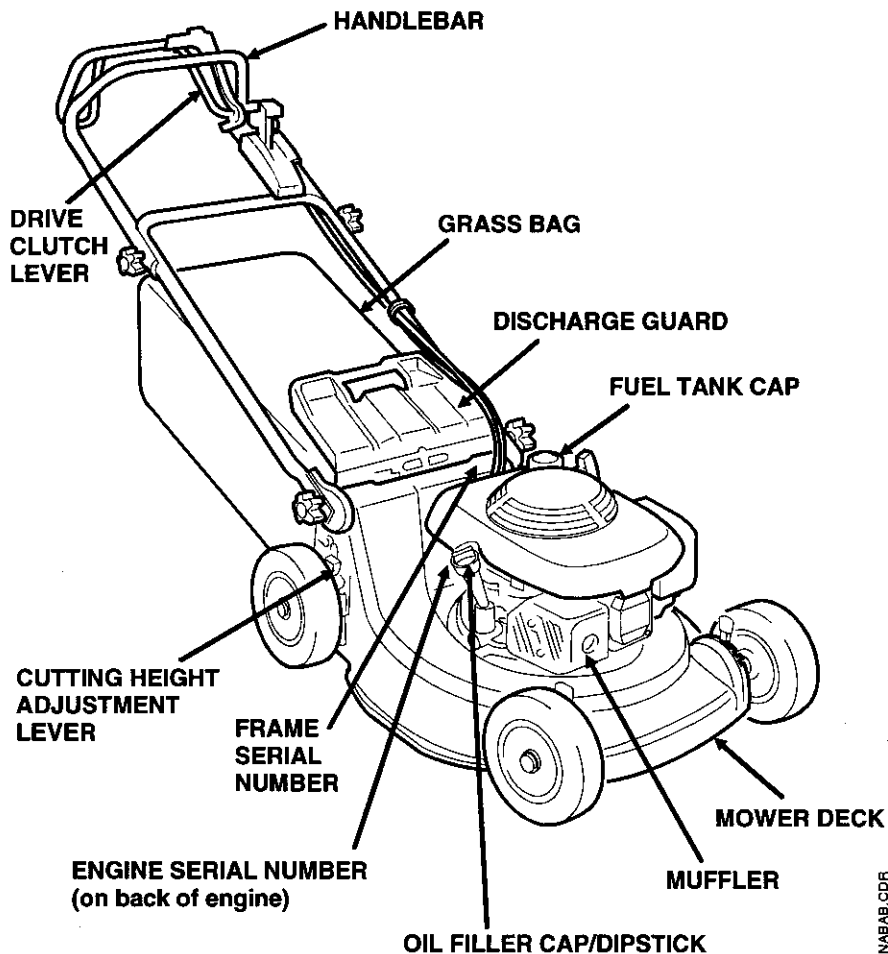
# 2. CONTROLS

This chapter shows the locations of controls and other important parts of your mower, and it tells you how the controls work.

<b>COMPONENT IDENTIFICATION</b> .....	<b>10</b>
<b>DESCRIPTION OF CONTROLS</b> .....	<b>12</b>
Throttle Lever .....	12
Engine Switch (HR215HMA) .....	13
Blade Control Lever .....	14
Drive Clutch Lever .....	14
Shift Lever .....	15
Cutting Height Adjustment Levers .....	16

# CONTROLS

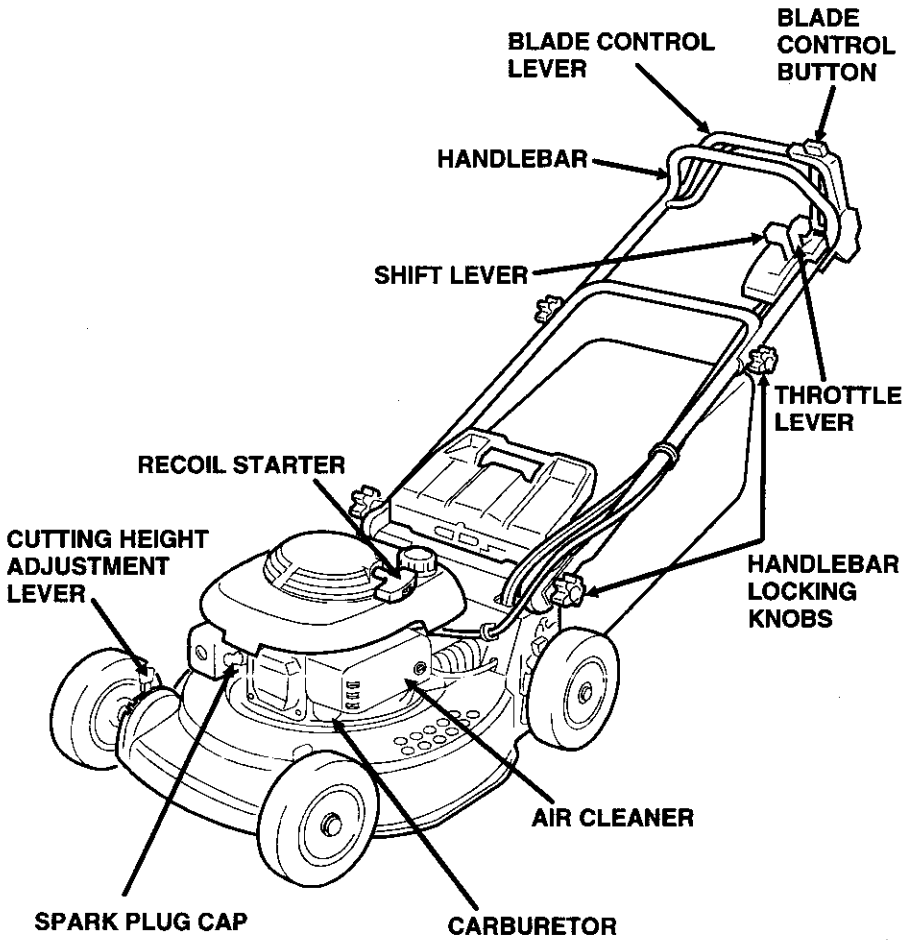
## COMPONENT IDENTIFICATION



Record the frame and engine serial numbers in the space below. You will need these serial numbers when ordering parts and when making technical or warranty inquiries (see page 89).

Frame serial number: **MZAM** - \_\_\_\_\_  
Engine serial number: **GJAB** - \_\_\_\_\_

# CONTROLS



VA3NACAA.CDR

# CONTROLS

## DESCRIPTION OF CONTROLS

### Throttle Lever



**CHOKE** -- For starting a cold engine.



**FAST** --- For restarting a warm engine and for mowing.



**SLOW** --- For idling the engine.

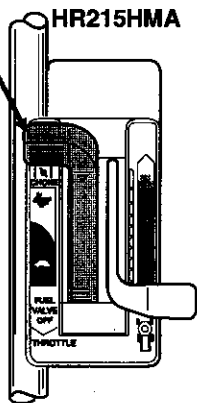


**STOP** --- For stopping the engine and closing the fuel valve.  
(HR215HXA & HR215SXA)

**FUEL VALVE OFF**

----- For closing the fuel valve (turning the engine switch OFF stops the engine).  
(HR215HMA)

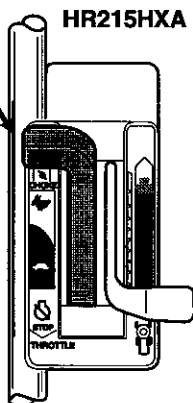
THROTTLE LEVER



HR215HMA

VB5CAAAA.CDR

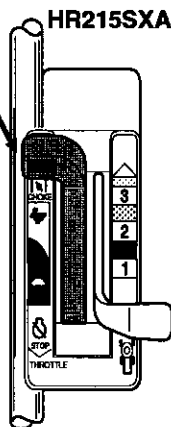
THROTTLE LEVER



HR215HXA

VB5CAAAB.CDR

THROTTLE LEVER



HR215SXA

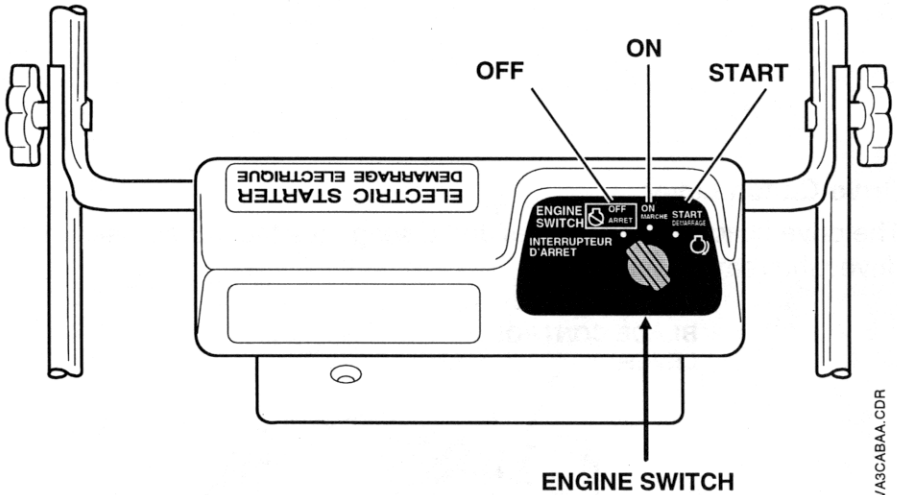
VA3CAAAB.CDR

## Engine Switch (HR215HMA)

START — Operates the electric starter.

ON — Running position (the engine switch must be in the ON position to use the recoil starter).

OFF — Stops the engine.

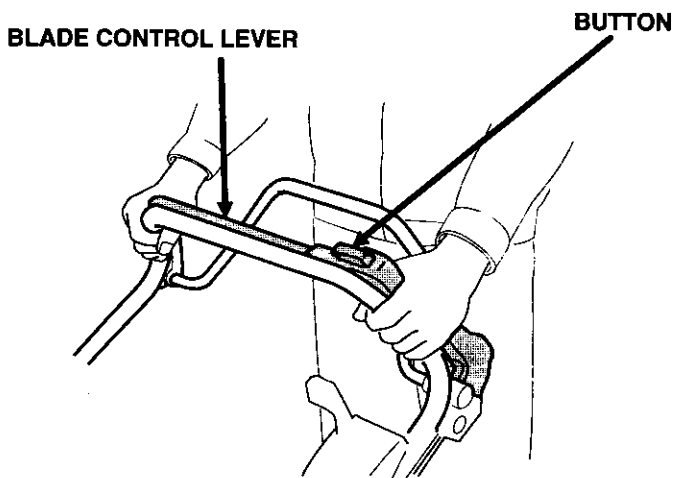


# CONTROLS

---

## Blade Control Lever

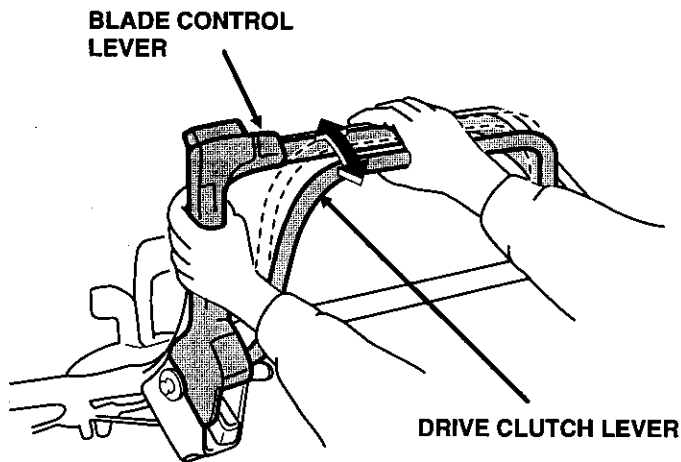
The blade control lever starts and stops blade rotation.



VAS3CAGAA.CDR

## Drive Clutch Lever

The drive clutch lever engages and disengages the transmission that drives the rear wheels.

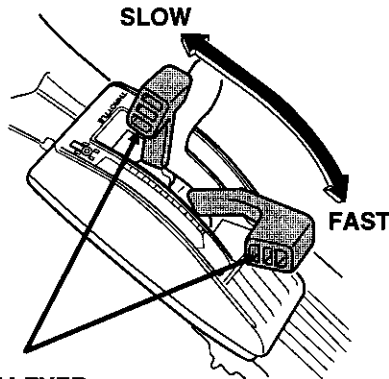


VAS3CADA.A.CDR



## **HR215HMA & HR215HXA**

The shift lever controls the mower's maximum drive speed.



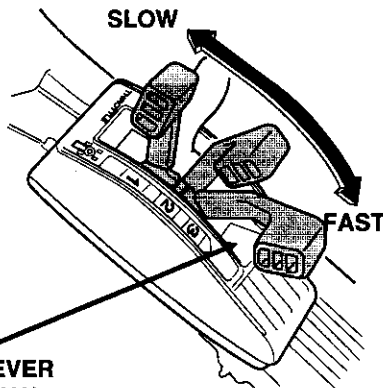
**SHIFT LEVER**  
(HR215HMA & HR215HXA)

VAS3CAEA.CDR

## **HR215SXA**

The shift lever selects the drive speed for the mower.

- 1 (slow) — For mowing thick grass or maneuvering in small areas.
- 2 (medium) — For intermediate self-propelled speed.
- 3 (fast) — For maximum self-propelled speed in large, open areas.



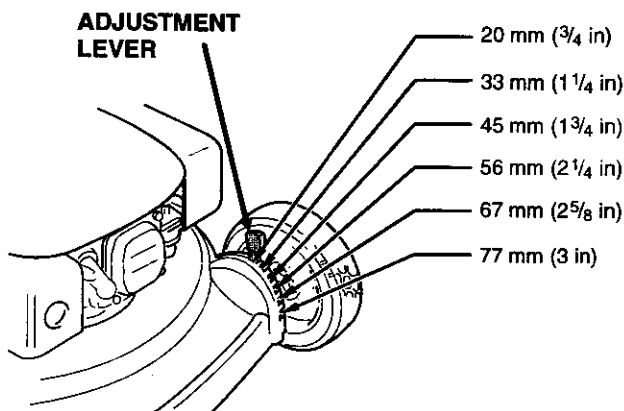
**SHIFT LEVER**  
(HR215SXA)

VAS3CAEAC.CDR

# CONTROLS

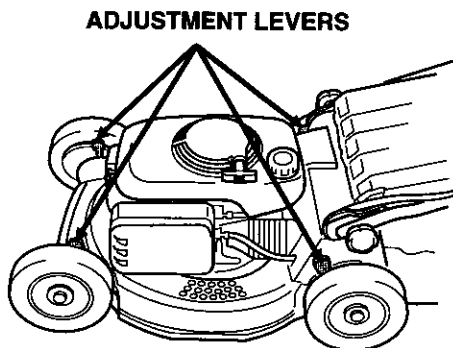
## Cutting Height Adjustment Levers

There are six settings to choose from, as shown in the illustration. The cutting height figures are approximate. The actual height of cut grass will vary with lawn and soil conditions.



VA3CAFAA CDR

There is an adjustment lever on each wheel.



VA3CAGAA CDR

# 3. BEFORE OPERATION

This chapter explains how to fuel and check your mower to be sure it is ready, and it tells you how to prepare your lawn and yourself before you begin mowing.

<b>CHECK YOUR LAWN</b> .....	<b>18</b>
Objects .....	18
People and Pets .....	18
Lawn .....	18
<b>CHECK YOUR MOWER</b> .....	<b>19</b>
Blade .....	19
Engine Oil Level .....	20
Fuel .....	21
Air Cleaner Inspection .....	22
Handlebar Height Adjustment .....	23
Grass Bag .....	24
Inspection .....	24
Installation .....	24
Removal .....	24
Cutting Height .....	25
Are YOU Ready to Mow? .....	25

## **BEFORE OPERATION**

---

### **CHECK YOUR LAWN**

For your safety and for the safety of others, always inspect the area before mowing.

#### **Objects**

Anything which can be picked up by the blades and thrown is a potential hazard to you and others. Look for things like stones, sticks, bones, and wire. Remove them from the mowing area.

#### **People and Pets**

People and animals near the mowing area can move into your path or into a position where they could be struck by thrown objects. Clear the area of people and pets, especially children. Their safety is your responsibility.

#### **Lawn**

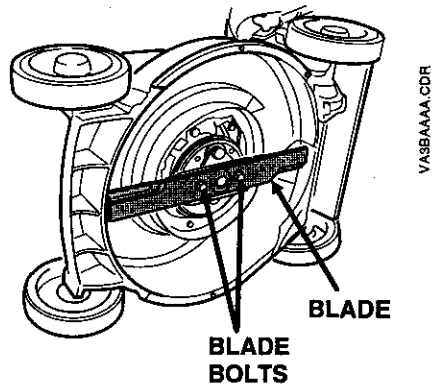
Check the length and condition of the grass, so you will know what cutting height and mowing speed to use.

Avoid mowing wet grass. Not only will wet grass clog your mower deck and collect in clumps on the lawn, it also gives poor traction, increasing your risk of losing your footing.

## CHECK YOUR MOWER

### Blade

With the throttle lever in the STOP position (HR215HXA & HR215SXA) or OFF position (HR215HMA), and the spark plug cap disconnected, tilt the mower to the right, so the carburetor side is up. This will help to prevent fuel leakage and hard starting.



Inspect the blade for wear and damage.



**NORMAL**



**EXCESSIVELY  
WORN**



**BENT**



**CRACKED**

L.M.-ACAA, CDR

A dull blade can be sharpened, but a blade that is worn out, bent, cracked, or otherwise damaged must be replaced. A worn or damaged blade can break, causing blade pieces to be thrown from the mower.

When the blade needs sharpening or replacement take the lawn mower to an authorized Honda lawn mower dealer. Or, if you have a torque wrench, you can remove and install the blade yourself (see pages 60-61).

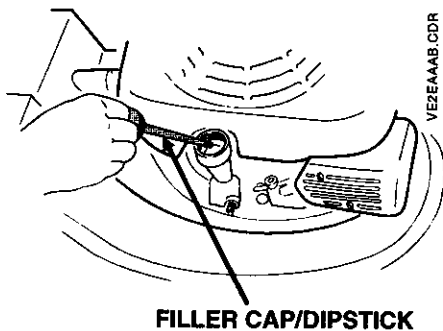
Check that the blade bolts are tight (see page 61).

## BEFORE OPERATION

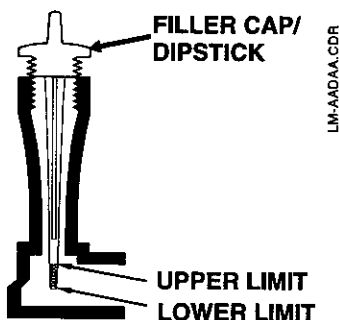
### Engine Oil Level

Check the engine oil level with the engine stopped and the mower on a level surface.

1. Remove the oil filler cap, and wipe the dipstick clean.
2. Insert and remove the dipstick without screwing it into the filler neck. Check the oil level shown on the dipstick.



3. If the oil level is low, add oil to reach the upper limit mark on the dipstick. (see page 48)
4. After checking the engine oil level, screw in the filler cap/dipstick securely.



## Fuel

**Fuel tank capacity: 1.0 l (0.26 US gal)**

Refuel in a well-ventilated area before starting the engine. If the engine has been running, allow it to cool. Refer to page 53 for fuel recommendations and page 86 for information about oxygenated fuels.

Remove the tank cap and check the fuel level. Refill the tank if the fuel level is low. Refuel carefully to avoid spilling fuel. Do not overfill; there should be no fuel in the filler neck. After refueling, tighten the fuel tank cap securely.

### **⚠ WARNING**

Gasoline is highly flammable and explosive, and you can be burned or seriously injured when refueling.

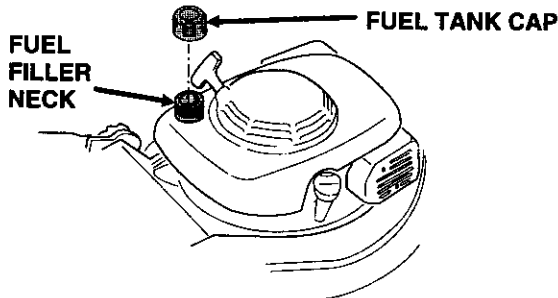
- Stop engine and keep heat, sparks, and flame away.
- Refuel only outdoors.
- Wipe up spills immediately.

Never refuel the mower inside a building where gasoline fumes may reach flames or sparks. Keep gasoline away from appliance pilot lights, barbecues, electric appliances, power tools, etc.

Spilled fuel is not only a fire hazard, it causes environmental damage. Wipe up spills immediately.

### **NOTICE**

Fuel can damage paint and plastic. Be careful not to spill fuel when filling your fuel tank. Damage caused by spilled fuel is not covered under warranty.

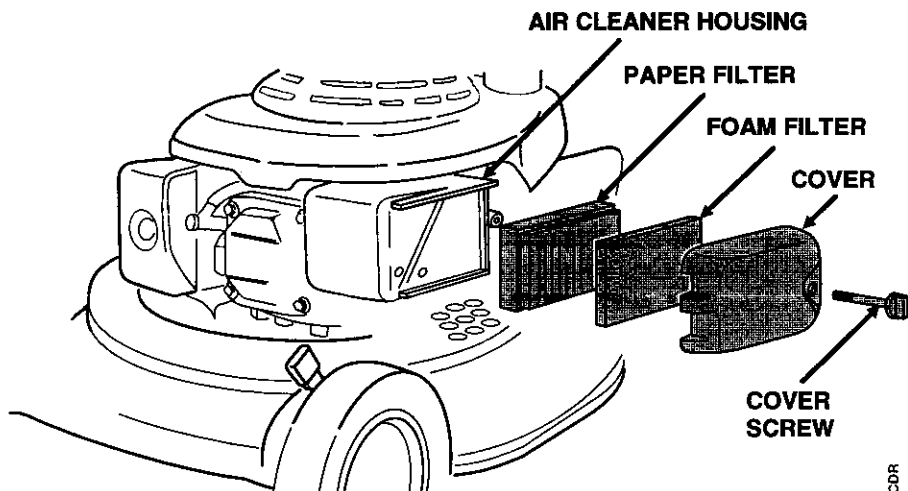


# BEFORE OPERATION

---

## Air Cleaner Inspection

Check that the air filters are clean and in good condition. Dirty air filters will restrict air flow to the carburetor, reducing engine performance. Refer to page 49 for air cleaner service.



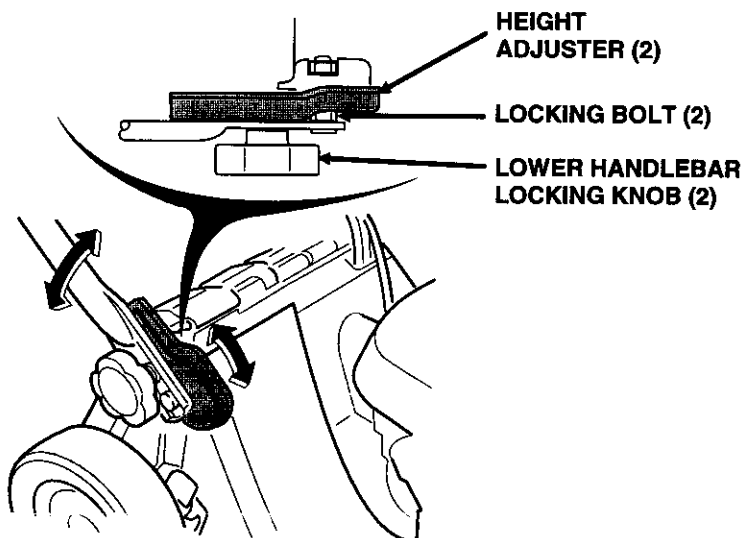
VA2FABAB CDR



## Handlebar Height Adjustment

Adjust handlebar height for a comfortable operating position.

1. Loosen the lower handlebar locking knobs.
2. Loosen both left and right height adjuster locking bolts with a 12 mm wrench.
3. Adjust the handlebar to a comfortable height.
4. Tighten the height adjuster locking bolts, then tighten the locking knobs.



# BEFORE OPERATION

## Grass Bag

A lawn mower works like a vacuum cleaner; it blows air through the bag, which traps the grass clippings. Always empty the grass bag before it becomes filled to the limit of its capacity. Bagging performance will diminish after the bag becomes about 90% filled. Also, the bag is easier to empty when it is not packed full.

## Inspection

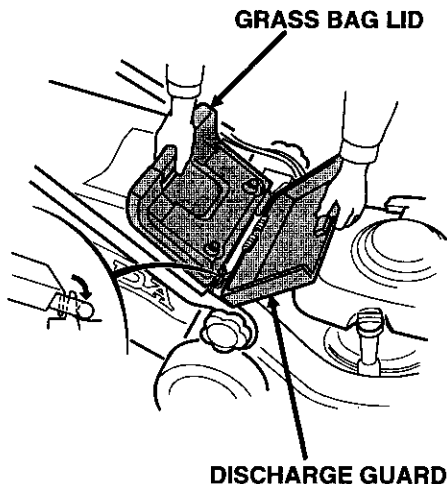
Inspect the grass bag for tears, holes, and excessive wear. The grass bag wears during normal use and will eventually require replacement. Grass bag replacement is explained on page 62.

## Installation

1. Raise the discharge guard, and hook the grass bag onto the mower deck as shown.
2. Release the discharge guard to secure the grass bag.

## Removal

1. Raise the discharge guard, grasp the handle of the grass bag lid, and remove the grass bag.
2. Release the discharge guard.
3. When the grass bag is clear of the discharge guard, you can lift it through the handlebar opening, or you can remove it to the rear of the mower below the handlebar.

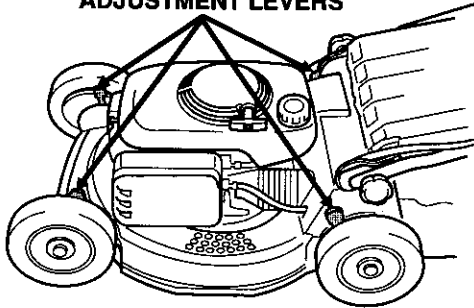


# BEFORE OPERATION

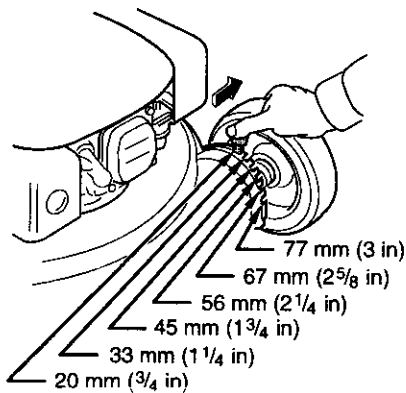
## Cutting Height

Check the mower deck cutting height settings, and be sure that all four adjustment levers are set to the same cutting height position.

### ADJUSTMENT LEVERS



To adjust cutting height, pull each adjustment lever toward the wheel, and move it into another notch.



If you are not sure what cutting height to select, start with a high setting, and check the appearance of the lawn after mowing a small area. Then readjust cutting height if necessary.

## ARE YOU Ready to Mow?

Be sure to wear protective clothing. Long pants and eye protection can lower your risk of injury from thrown objects. Wear footwear that protects your feet and won't let you slip if you mow on slopes or uneven ground.



# 4. OPERATION

This chapter tells you how to operate the mower safely and effectively.

<b>MOWING PRECAUTIONS</b> .....	<b>28</b>
<b>STARTING THE ENGINE</b> .....	<b>28</b>
<b>OPERATING THE CONTROLS FOR MOWING.</b> .....	<b>30</b>
Throttle Lever .....	30
Blade Control Lever .....	30
Drive Clutch Lever .....	31
Shift Lever .....	32
<b>STOPPING THE ENGINE</b> .....	<b>33</b>
<b>SAFE MOWING PRACTICES.</b> .....	<b>34</b>
Slopes .....	34
Obstacles .....	35
Gravel and Loose Objects .....	35
<b>MOWING TIPS.</b> .....	<b>36</b>
When to Mow .....	36
Cutting Height .....	36
Cutting Width .....	36
Blade Speed .....	37
Blade Sharpness .....	37
Dry Grass .....	37
Wet Grass .....	37
Fallen Leaves .....	37
Clogged Mower Deck .....	37
Mowing Pattern .....	38

# OPERATION

## MOWING PRECAUTIONS

Before operating the mower for the first time, please review the *IMPORTANT SAFETY INFORMATION* beginning on page 6 and the previous section, titled *BEFORE OPERATION*.

Even if you have operated other mowers, take time to become familiar with how this mower works and practice in a safe area until you build up your skills.

For your safety, avoid starting or operating the engine in an enclosed area such as a garage. Your mower's exhaust contains poisonous carbon monoxide gas which can collect rapidly in an enclosed area and cause illness or death.

## STARTING THE ENGINE

Before starting, always release the blade control lever and drive clutch lever, so the blade will not turn, and the mower will not move forward, when you operate the starter.

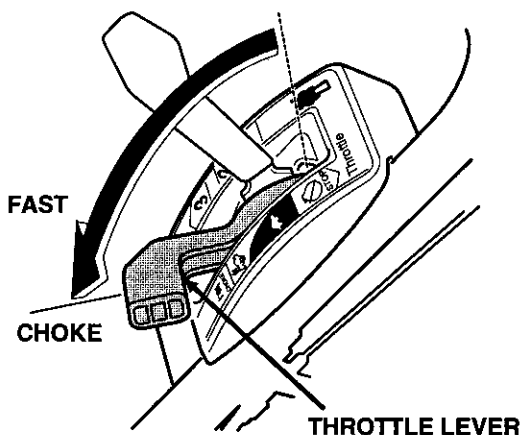
1. Move the throttle lever to the proper starting position.

**FOR STARTING A COLD ENGINE:**

Move the throttle lever to the **CHOKE** position.

**FOR RESTARTING A WARM ENGINE:**

Move the throttle lever to the **FAST** position.



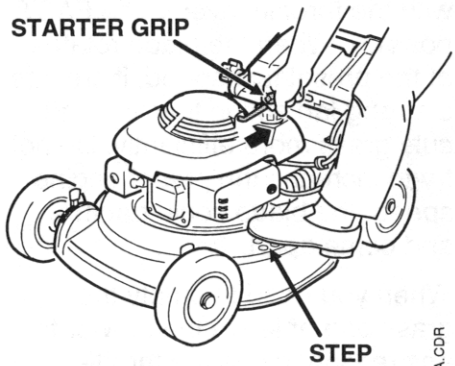
## 2. Operate the starter.

### MANUAL STARTING

(all models):

Place your foot on the mower deck step. Pull the starter grip lightly until you feel resistance, then pull briskly. Return the starter grip gently.

HR215HMA: The engine switch must be in the ON position to start the engine with the recoil starter.



VAS3EAAA.CDR

### ELECTRIC STARTING

(HR215HMA):

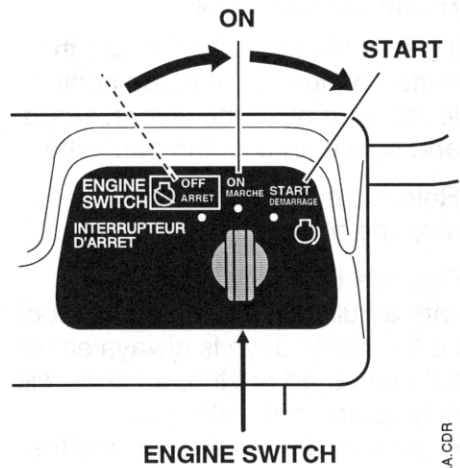
Turn the engine switch to the START position, and hold it there until the engine starts.

If the engine fails to start within 5 seconds, release the engine switch, and wait at least 10 seconds before operating the starter again.

**NOTICE**

Using the electric starter for more than 5 seconds at a time will overheat the starter motor and can damage it.

When the engine starts, release the key, allowing it to return to the ON position.



VASCAJAA.CDR

## 3. Move the throttle lever away from the CHOKE position as soon as the engine warms up enough to run smoothly without use of the choke. Set the throttle lever at FAST to mow or at SLOW to idle.

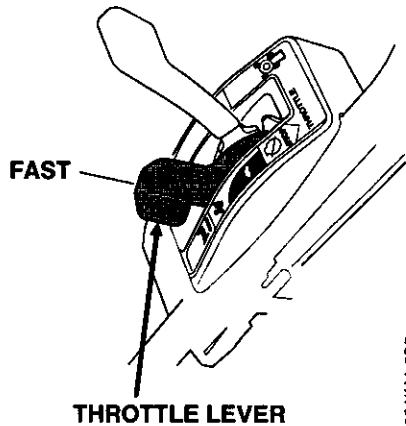
# OPERATION

## OPERATING THE CONTROLS FOR MOWING

### Throttle Lever

For best cut quality, always mow with the throttle lever in the FAST position. When the blade rotates at the preset fast speed, it creates a strong fan action that lifts and cuts grass more efficiently. Do not try to increase the preset engine speed, the blade could fracture and come apart.

When you need to empty the grass bag or leave the mower for any reason, move the throttle lever to the stop position.



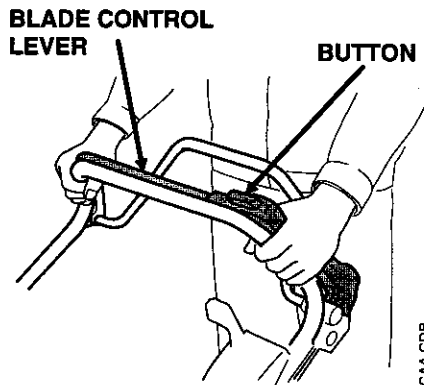
VASCACAA.CDR

### Blade Control Lever

To start blade rotation, press the button on top of the blade control lever, then push the lever forward and hold it against the handlebar.

Release the blade control lever to stop the blade.

Operate the blade control lever with a quick and complete motion, so the blade drive is always either fully engaged or stopped. This will help to prevent stalling the engine, and it will also extend the service life of the blade control mechanism.



VASCACAA.CDR

Always release the blade control lever before starting the engine to prevent the blade from turning.



## Drive Clutch Lever

### **HR215HMA & HR215HXA**

You can control self-propelled speed with the drive clutch lever. The mower will move gradually faster as you push the drive clutch lever forward. If you push the lever all the way forward to the handlebar, the mower will move at the speed determined by the shift lever setting.

When moving the drive clutch lever to change self-propelled speed while mowing, continue to hold the blade control lever against the handlebar. This will help to extend the service life of the blade mechanism.

### **HR215SXA**

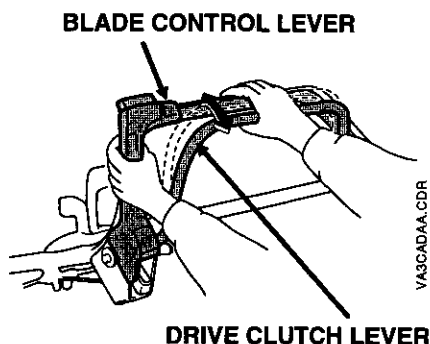
Push the drive clutch lever forward to propel the mower.

Release the drive clutch lever to stop the mower.

### **All Models**

For self-propelled mowing, press the button on top of the blade control lever, push the blade control lever forward, then push the drive clutch lever forward. The drive clutch lever can be used to hold the blade control lever against the handlebar.

Always release the drive clutch lever before starting the engine. If the drive clutch is engaged, the mower will move forward when you operate the starter.



# OPERATION

## Shift Lever

### **HR215HMA & HR215HXA**

Move the shift lever to select the pace at which you normally mow in open areas.

If you wish to momentarily slow the mower during operation, partially release the drive clutch lever, then resume your normal speed by pushing the drive clutch lever forward again. It is not necessary to move the shift lever for momentary speed reduction.

### **HR215SXA**

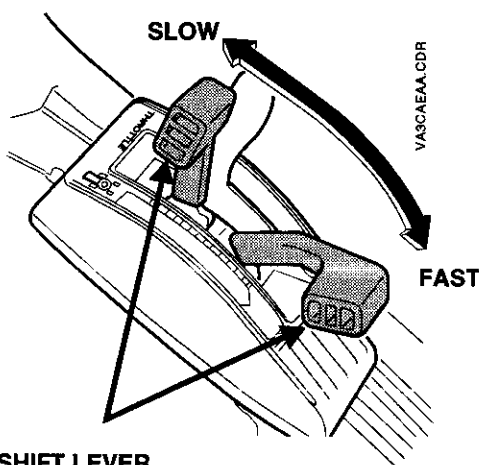
Use the shift lever to select the forward speed at which you wish to mow.

You can shift gears without releasing the drive clutch lever, but the transmission may not shift smoothly if the mower is pulling hard. For smoother operation, release the drive clutch lever before shifting gears.

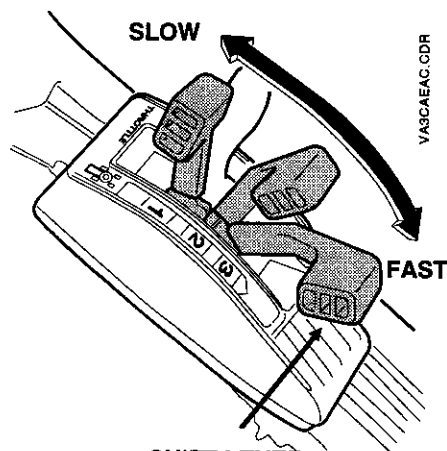
To avoid incomplete gear engagement, be sure the shift lever is centered in one of the three detent positions.

### **All Models**

Do not use the throttle lever to adjust your forward speed. The throttle lever must remain in the FAST position for good mowing performance.



**SHIFT LEVER  
(HR215HMA & HR215HXA)**



**SHIFT LEVER  
(HR215SXA)**

## STOPPING THE ENGINE

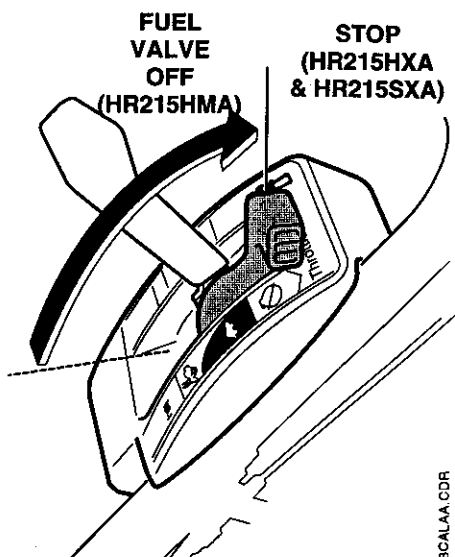
Release the drive clutch lever and blade control lever.

Move the throttle lever to the STOP or FUEL VALVE OFF position.

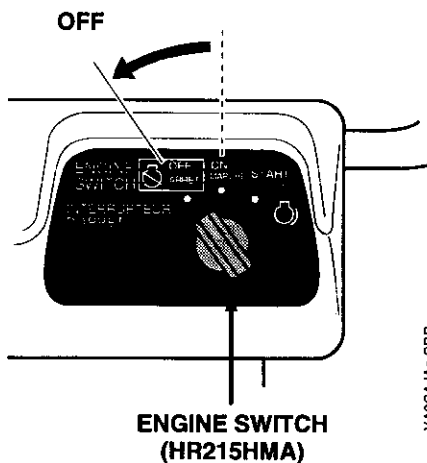
**HR 215HXA & HR215SXA:**

Move the throttle lever to the STOP position.

**HR215HMA:** Move the throttle lever to the FUEL VALVE OFF position, and turn the engine switch to the OFF position.



VASCALAA.CDR



VASCAJAg.CDR

# OPERATION

## SAFE MOWING PRACTICES

For your safety, keep all four wheels on the ground, and be careful to avoid losing your footing and your control of the mower. Keep a firm grip on the handlebar, and walk, never run, with the mower. Be very careful when mowing uneven or rough ground.

If stuck, do not kick or shove the mower with your foot. Use the handlebar to control the mower.

### **⚠ WARNING**

The blade is sharp and spins at high speed.

A spinning blade can cut you severely and can amputate fingers and toes.

- Wear protective footwear.
- Keep your hands and feet away from the mower deck while the engine is running.
- Stop the engine before performing any adjustment, inspection, or maintenance.

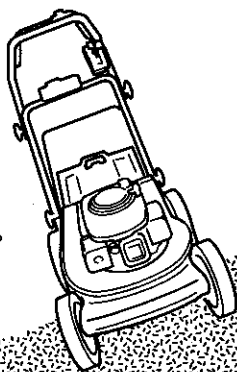
### Slopes

Mow across slopes, not up and down.

Avoid steep slopes (more than 20°), and be careful when changing direction.

Mowing on a slope when the grass is damp or wet could cause you to slip, fall, and lose control of the mower.

**MAXIMUM SLOPE: 20°**



VASNADAA.COM

## Obstacles

Use the side of the mower to cut close to large obstacles, such as fences or walls.

Release the drive clutch lever to disengage the drive when mowing around trees and other obstacles. Push the mower around obstacles for better directional control. Be careful when mowing over obstacles embedded in the lawn, such as sprinkler heads, paving, edging, etc. Avoid anything that sticks up above the surface of the lawn.

If the blade hits something, or if the mower starts to vibrate, stop the engine immediately and check for damage. Striking objects may damage the blade, bend the crankshaft, and/or break the mower deck or other components. Vibration usually indicates serious trouble.

### **⚠ WARNING**

A worn, cracked, or damaged blade can break, and pieces of the damaged blade can become dangerous projectiles.

Thrown objects can cause serious injury.

Inspect the blade regularly, and do not operate the mower with a worn or damaged blade.

The Distributor's Limited Warranty does not cover parts damaged by accident or collision.

## Gravel and Loose Objects

Gravel, loose stones, and landscaping material can be picked up by the mower and thrown many feet with enough force to cause serious personal injury and/or property damage. The best way to prevent potential injury from thrown objects is to release the blade control lever to stop the blade before reaching areas with gravel, loose stones, or landscaping material.

# OPERATION

---

## MOWING TIPS

### When to Mow

Most grasses should be mowed when they have grown  $\frac{1}{2}$  to 1 inch above their recommended height.



LM-AAEAA.CDR

### Cutting Height

Consult a local nursery or lawn and garden center for cutting height recommendations and advice about specific types of grasses and growing conditions in your area.

If you look closely, you'll see that most grass has stems and leaves. If you cut off the leaves, you'll scalp the lawn. Let the grass recover between mowings. Your mower will work better, and your lawn will look better.



TOO SHORT

LM-AAFAA.CDR



LONG ENOUGH

LM-AAGAA.CDR

If your grass gets too tall, cut it once at the highest cutting height setting, then mow again in 2 or 3 days. Don't take off more than one third of total grass height in any one mowing, or brown patches may develop.

Cutting height adjustment is explained on page 16.

### Cutting Width

For an even lawn finish, overlap each mowing swath by a few inches. If the grass is very tall or thick, use more overlap and a narrower mowing swath.

## **Blade Speed**

The blade must spin very fast to cut properly. Always use the FAST throttle setting, and keep the engine running at maximum rpm.

If engine speed drops, it could mean the engine is being overloaded by the blade trying to cut too much grass. Mow a narrower swath, move the mower slower, or raise the cutting height.

## **Blade Sharpness**

A sharp blade cuts cleanly. A dull blade tears the grass, leaving shredded ends that turn brown. When your blade doesn't cut cleanly anymore, have it sharpened or replaced.

## **Dry Grass**

If the ground is too dry, mowing will stir up a lot of dust. Besides being unpleasant to work in, too much dust will clog the carburetor air filter.

If dust is a problem, water your lawn the day before mowing. Mow when the grass is dry to your touch, but the soil is still moist.

## **Wet Grass**

Wet grass is slippery and can make you lose your footing. Also, wet grass clippings will clog the mower deck and collect in clumps on the lawn. Always wait for wet grass to dry before mowing.

## **Fallen Leaves**

Your mower can be used to pick up fallen leaves for disposal. If using the mower to bag large amounts of fallen leaves, and not for mowing, set the cutting height adjustment levers so the front of the mower deck is one or two settings higher than the rear.

## **Clogged Mower Deck**

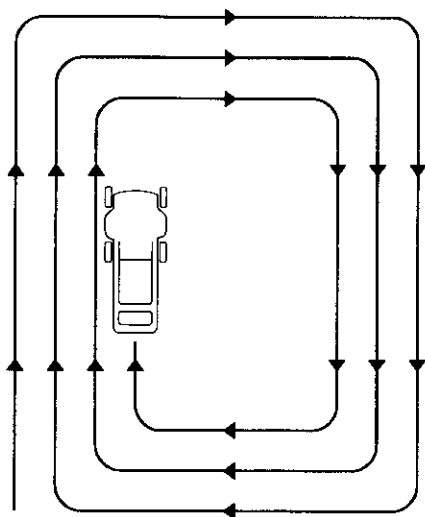
Before clearing a clogged mower deck, stop the engine and turn the fuel valve off by moving the throttle lever to the STOP position. With the spark plug cap disconnected, tilt the mower so the carburetor side is up.

Clear a clogged deck with a stick, not your hands.

## Mowing Pattern

Your Honda mower will give the best bagging performance, leaving the least amount of clippings on the lawn, if you use a clockwise mowing pattern. Mower deck and equipment design, and the direction in which the blade rotates, cause a clockwise pattern to give the best bagging results.

If the lawn has an irregular shape, or many obstacles, divide it into sections where you can use a clockwise mowing pattern.



LM-AH1A CDR



# 5. TRANSPORTING

This chapter explains how to load and carry your mower safely.

<b>BEFORE LOADING</b> .....	<b>40</b>
<b>LOADING AND UNLOADING</b> .....	<b>40</b>

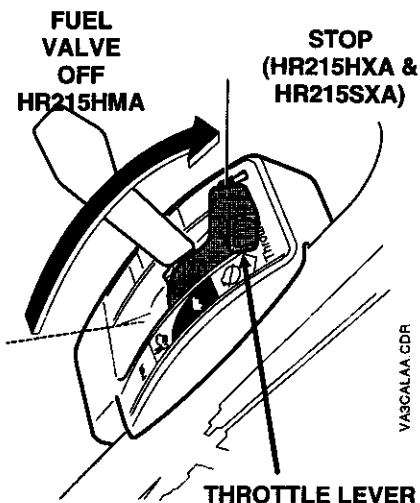
## TRANSPORTING

### BEFORE LOADING

If the engine has been running, allow it to cool for at least 15 minutes before loading the mower on the transport vehicle. A hot engine and exhaust system can burn you and can ignite some materials.

Remove the grass bag.

Put the throttle lever in the STOP (HR215HXA & HR215SXA) or FUEL VALVE OFF (HR215HMA) to shut off the fuel valve. This will prevent carburetor flooding and reduce the possibility of fuel leakage.



### LOADING AND UNLOADING

If a suitable loading ramp is not available, two people should lift the mower on and off the transport vehicle while holding the mower level.

Position the mower so all four wheels are on the bed of the transport vehicle. Tie the mower down with rope or straps, and block the wheels. Keep the tie-down rope or straps away from the controls, adjustment levers, cables, and the carburetor.

The handlebar can be folded so the mower will take up less space (see page 74).

# 6. MAINTENANCE

This chapter explains when and how to perform routine inspection, service, and adjustments for do-it-yourself maintenance.

More difficult maintenance tasks should be done by an authorized Honda servicing dealer. An authorized Honda servicing dealer is best equipped and staffed to provide the level of service and safety you and your mower deserve.

<b>THE IMPORTANCE OF MAINTENANCE</b> .....	42
<b>MAINTENANCE SAFETY</b> .....	43
<b>SAFETY PRECAUTIONS</b> .....	43
<b>EMISSION CONTROL SYSTEM</b> .....	44
Source of Emissions .....	44
The California Clean Air Act .....	44
Tampering and Alteration .....	44
Problems that may Affect Emissions .....	44
<b>PROPER MAINTENANCE IS THE OWNER'S RESPONSIBILITY</b> .....	45
Replacement Parts .....	45
Maintenance .....	45
<b>MAINTENANCE SCHEDULE</b> .....	46
<b>ENGINE MAINTENANCE</b> .....	47
Engine Oil Change .....	47
Air Cleaner Service .....	49
Spark Plug Service .....	50
Carburetor Adjustment .....	52
Carburetor Modification for High Altitude Operation .....	52
Fuel Recommendations .....	53
<b>CONTROL CABLE INSPECTIONS AND ADJUSTMENTS</b> .....	54
Blade Control Cable .....	54
Drive Clutch Cable .....	55
HR215HMA & HR215HXA .....	55
HR215SXA .....	57
Shift Cable .....	58
Throttle Cable .....	59
<b>BLADE REMOVAL AND INSTALLATION</b> .....	60
Blade Removal .....	60
Blade Installation .....	61
<b>GRASS BAG CLEANING AND REPLACEMENT</b> .....	62
<b>BATTERY CHARGING (HR215HMA)</b> .....	63

# MAINTENANCE

---

## THE IMPORTANCE OF MAINTENANCE

Good maintenance is essential for safe, economical, and trouble-free operation. It will also help reduce air pollution.

To help you properly care for your mower, the following pages include a maintenance schedule, routine inspection procedures, and simple maintenance procedures using basic hand tools. Other service tasks that are more difficult, or require special tools, are best handled by professionals and are normally performed by a Honda technician or other qualified mechanic.

The maintenance schedule applies to normal operating conditions. If you operate your mower under unusual conditions, consult your servicing dealer for recommendations applicable to your individual needs and use.

### **WARNING**

Improper maintenance, or failure to correct a problem before operation, can cause a malfunction in which you can be seriously hurt or killed.

Always follow the inspection and maintenance recommendations and schedules in this owner's manual.

## MAINTENANCE SAFETY

Some of the most important safety precautions follow. However, we cannot warn you of every conceivable hazard that can arise in performing maintenance. Only you can decide whether or not you should perform a given task.

### WARNING

Failure to properly follow maintenance instructions and precautions can cause you to be seriously hurt or killed.

Always follow the procedures and precautions in this owner's manual.

#### Safety Precautions

- Make sure the engine is off before you begin any maintenance or repairs. This will eliminate several potential hazards:
  - **Carbon monoxide poisoning from engine exhaust.**  
Be sure there is adequate ventilation whenever you operate the engine.
  - **Burns from hot parts.**  
Let the engine and exhaust system cool before touching.
  - **Injury from moving parts.**  
Do not run the engine unless instructed to do so.
- Read the instructions before you begin, and make sure you have the tools and skills required.
- To reduce the possibility of fire or explosion, be careful when working around gasoline. Use only a nonflammable solvent, not gasoline, to clean parts. Keep cigarettes, sparks, and flames away from all fuel-related parts.

Remember that an authorized Honda servicing dealer knows your mower best and is fully equipped to maintain and repair it.

To ensure the best quality and reliability, use only new, genuine Honda parts or their equivalents for repair and replacement.

# MAINTENANCE

---

## EMISSION CONTROL SYSTEM

### Source of Emissions

The combustion process produces carbon monoxide, oxides of nitrogen, and hydrocarbons. Control of hydrocarbons and oxides of nitrogen is very important because, under certain conditions, they react to form photochemical smog when subjected to sunlight. Carbon monoxide does not react in the same way, but it is toxic.

Honda utilizes lean carburetor settings and other systems to reduce the emissions of carbon monoxide, oxides of nitrogen, and hydrocarbons.

### The California Clean Air Act

California regulations require all manufacturers to furnish written instructions describing the operation and maintenance of emission control systems.

The following instructions and procedures must be followed in order to keep the emissions from your Honda engine within the emission standards.

### Tampering and Alteration

Tampering with or altering the emission control system may increase emissions beyond the legal limit. Among those acts that constitute tampering are:

- Removal or alteration of any part of the intake, fuel, or exhaust systems.
- Altering or defeating the governor linkage or speed-adjusting mechanism to cause the engine to operate outside its design parameters.

### Problems That May Affect Emissions

If you are aware of any of the following symptoms, have your engine inspected and repaired by your authorized Honda lawn mower dealer.

- Hard starting or stalling after starting.
- Rough idle.
- Misfiring or backfiring under load.
- Afterburning (backfiring).
- Black exhaust smoke or high fuel consumption.

## **PROPER MAINTENANCE IS THE OWNER'S RESPONSIBILITY**

### **Replacement Parts**

The emission control systems on your new Honda engine were designed, built, and certified to conform with California emissions regulations. Honda recommends only the use of new, genuine Honda parts or their equivalent. The use of other replacement parts which are not of equivalent quality may impair the effectiveness of your emission control system.

### **Maintenance**

Follow the maintenance schedule on page 46. Remember that this schedule is based on the assumption that your machine will be used for its designed purpose. Sustained high-load or high-temperature operation, or use in unusually wet or dusty conditions, will require more frequent service.

# MAINTENANCE

## MAINTENANCE SCHEDULE

Regular Service Interval			Before Each Use	First 20 Hours	Every 50 Hours	Every 100 Hours	Every 300 Hours	
Item	Perform at every indicated interval							
	Blade condition and blade bolt tightness	Check	●					
	Grass bag	Check	●					
●	Engine oil	Check	●					
		Change		●		●		
●	Air cleaner	Check	●					
		Clean			● <sup>1</sup>			
		Replace					● <sup>*</sup>	
●	Spark plug	Check-Adjust				●		
		Replace					●	
	Spark arrester (optional equipment)	Check				●		
	Blade control mechanism	Check		● <sup>2</sup>		● <sup>2</sup>		
	Blade control cable	Adjust		●		●		
	Drive clutch cable	Adjust		●		●		
	Throttle cable	Adjust		● <sup>2</sup>		● <sup>2</sup>		
●	Idle Speed	Check-Adjust					● <sup>2</sup>	
●	Valve Clearance	Adjust					● <sup>2</sup>	
	Hydrostatic transmission fluid	Check					● <sup>2</sup>	
●	Fuel Tank	Clean					● <sup>2</sup>	
●	Fuel line	Replace	Every 2 years (2)					

● Emission related items.

\* Replace the paper element only.

(1) Service more frequently when used in dusty areas.

(2) These items should be serviced by an authorized Honda servicing dealer, unless the owner has the proper tools and is mechanically proficient. Refer to the Honda shop manual for service procedures.



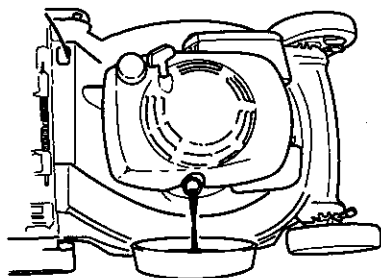
## ENGINE MAINTENANCE

### Engine Oil Change

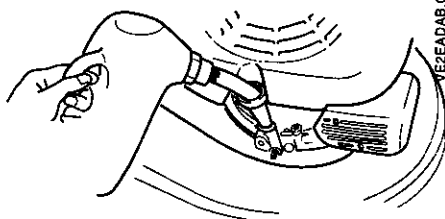
Drain the used oil while the engine is warm. Warm oil drains quickly and completely.

1. Put the throttle lever in the STOP (HR215HXA & HR215SXA) or FUEL VALVE OFF position to shut off the fuel valve. This will reduce the possibility of fuel leakage (see page 33).
2. Wipe the oil filler area clean, then remove the oil filler cap/dipstick.
3. Place a suitable container next to the mower to catch the used oil, then tilt the mower on its right side. The used oil will drain through the filler neck. Allow the oil to drain completely.

Please dispose of used motor oil and the containers in a manner that is compatible with the environment. We suggest you take it in a sealed container to your local recycling center or service station for reclamation. Do not throw it in the trash or pour it on the ground or down a drain.



VEREACAB.GDR



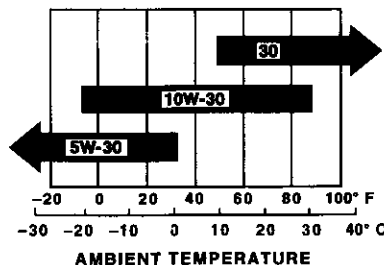
VEREADAB.GDR

4. Fill with the recommended oil. Do not overfill; measure the oil level as shown on page 48.

**Engine oil capacity:**  
0.6 ℓ (0.63 US qt).

#### NOTICE

Running the engine with a low oil level can cause engine damage.



LM-AAJAA.GDR

# MAINTENANCE

Use 4-stroke motor oil that meets or exceeds the requirements for API service classification SF or SG. Always check the API SERVICE label on the oil container to be sure it includes the letters SF or SG.

## NOTICE

Using nondetergent oil can shorten the engine's service life, and using 2-stroke oil can damage the engine.

SAE 10W-30 is recommended for general use. Other viscosities shown in the chart may be used when the average temperature in your area is within the indicated range.

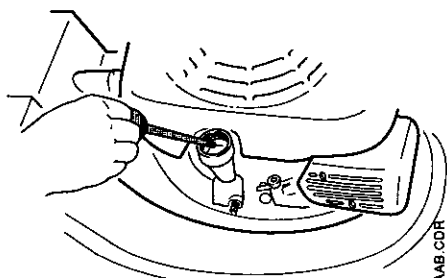
5. After changing the engine oil, and before starting the engine, check the oil level with the mower on a level surface:

- a. Wipe the dipstick clean.
- b. Insert and remove the dipstick without screwing it into the filler neck. Check the oil level shown on the dipstick.
- c. If the oil level is low, add oil to reach the upper limit mark on the dipstick. Do not overfill. If the engine is overfilled, the excess oil may get transferred to the air cleaner housing and air cleaner elements.

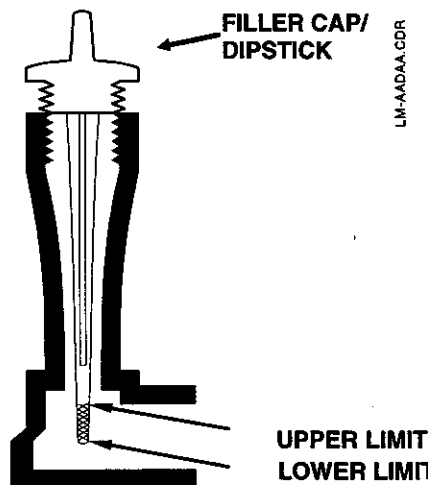
## NOTICE

Running the engine with a low oil level can cause engine damage.

- d. Screw in the filler cap/dipstick securely.



VE2EAAB.CDR



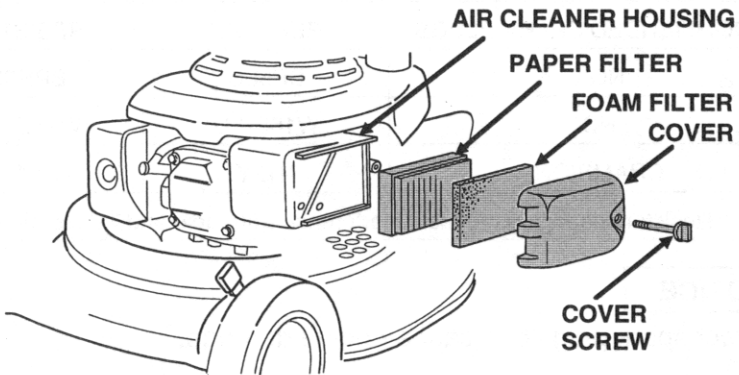
LM-AADAA.CDR

## Air Cleaner Service

Dirty air filters will restrict air flow to the carburetor, reducing engine performance. If you operate the mower in very dusty areas, clean the air filters more often than specified in the MAINTENANCE SCHEDULE.

### NOTICE

Operating the engine without air filters, or with damaged filters, will allow dirt to enter the engine, causing rapid engine wear. This type of damage is not covered by the Distributor's Limited Warranty.



VE2FABAB.CDR

1. Unscrew and remove the air cleaner cover screw, then remove the air cleaner cover.
2. Remove the paper filter from the air cleaner housing. Remove the foam filter from the cover.
3. Inspect the filters, and replace them if they are damaged.
4. Clean the filters.

**Paper filter:** Tap the filter several times on a hard surface to remove dirt, or blow compressed air [not exceeding 207 kPa (30 psi)] through the filter from the inside. Never try to brush off dirt; brushing will force dirt into the fibers.

**Foam filter:** Clean in warm soapy water, rinse, and allow to dry thoroughly. Or clean in nonflammable solvent and allow to dry. Dip the filter in clean engine oil and squeeze out all excess oil.

# MAINTENANCE

## NOTICE

Excess oil will restrict air flow through the foam filter and may transfer to the paper filter, soaking and clogging it.

5. Wipe dirt from the inside of the air cleaner housing and cover, using a moist rag. Be careful to prevent dirt from entering the air duct that leads to the carburetor.
6. Reinstall the filters and cover. Tighten the cover screw securely.

## Spark Plug Service

RECOMMENDED SPARK PLUGS	REGULAR	RESISTOR*
NGK	BP5ES	BPR5ES
ND	W16EP-U	W16EPR-U
CHAMPION	N12Y	RN12Y

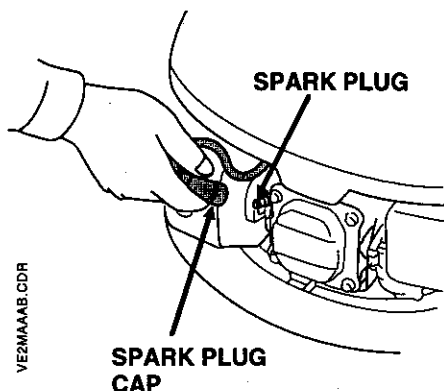
\* Resistor spark plugs reduce interference with radio and TV reception.

## NOTICE

Incorrect spark plugs can cause engine damage.

For good performance, the spark plug must be properly gapped and free of deposits.

1. Disconnect the spark plug cap, and remove any dirt from around the spark plug area.



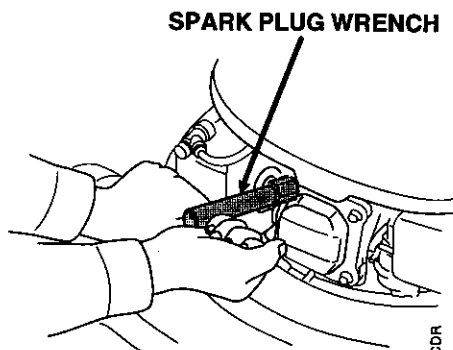
VEZMMAAB.CDR

2. Remove the spark plug with a 21 mm ( $13/16$  in) spark plug wrench.
  3. Inspect the spark plug. Replace it if the electrodes are worn, or if the insulator is cracked or chipped. Clean the spark plug with a wire brush if you are going to reuse it.
  4. Measure the spark plug electrode gap with a suitable gauge. The gap should be 0.7 ~ 0.8 mm (0.028 ~ 0.031 in). Correct the gap, if necessary, by carefully bending the side electrode.
  5. Install the spark plug carefully, by hand, to avoid cross-threading.
  6. After the spark plug seats, tighten with a 21 mm ( $13/16$  in) spark plug wrench to compress the washer.
- If reinstalling the old spark plug, tighten  $1/8$  to  $1/4$  turn after the spark plug seats.

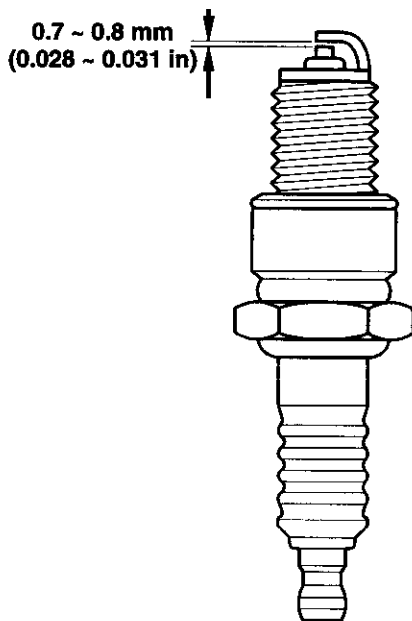
If installing a new spark plug, tighten  $1/2$  turn after the spark plug seats to compress the washer.

## NOTICE

A loose spark plug can overheat and damage the engine. Overtightening the spark plug can damage the threads in the cylinder head.



VE2MABAB.CDR



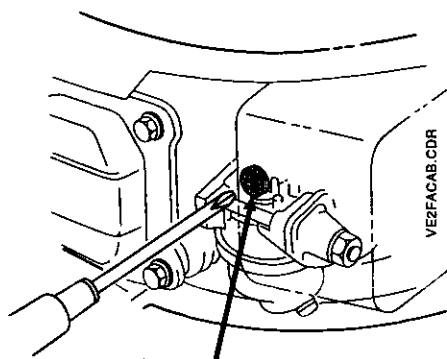
LMAAKAA.CDR

7. Install the spark plug cap on the spark plug.

# MAINTENANCE

## Carburetor Adjustment

1. Start the engine outdoors, and allow it to warm up to normal operating temperature.
2. Set the throttle lever in the SLOW position.
3. Turn the throttle stop screw to obtain the standard idle speed.



THROTTLE STOP SCREW

### Standard idle speed:

2,100  $\pm$  150 rpm

## Carburetor Modification for High Altitude Operation

At high altitude, the standard carburetor air-fuel mixture will be too rich. Performance will decrease, and fuel consumption will increase. A very rich mixture will also foul the spark plug and cause hard starting.

High altitude performance can be improved by specific modifications to the carburetor. If you always operate your mower at altitudes above 1,800 meters (6,000 feet), have an authorized Honda servicing dealer perform this carburetor modification.

Even with carburetor modification, engine horsepower will decrease about 3.5% for each 300 meter (1,000 foot) increase in altitude. The effect of altitude on horsepower will be greater than this if no carburetor modification is made.

### NOTICE

When the carburetor has been modified for high altitude operation, the air-fuel mixture will be too lean for low altitude use. Operation at altitudes below 1,800 meters (6,000 feet) with a modified carburetor may cause the engine to overheat and result in serious engine damage. For use at low altitudes, have an authorized Honda servicing dealer return the carburetor to original factory specifications.

## Fuel Recommendations

**Use unleaded gasoline with a pump octane rating of 86 or higher.**

This engine is certified to operate on unleaded gasoline. Unleaded gasoline produces fewer engine and spark plug deposits and extends exhaust system life.

Never use stale or contaminated gasoline or an oil/gasoline mixture. Avoid getting dirt or water in the fuel tank.

Occasionally you may hear light "spark knock" or "pinging" (metallic rapping noise) while operating under heavy loads. This is no cause for concern.

If spark knock or pinging occurs at a steady engine speed, under normal load, change brands of gasoline. If spark knock or pinging persists, see an authorized Honda servicing dealer.

### **NOTICE**

Running the engine with persistent spark knock or pinging can cause engine damage.

Running the engine with persistent spark knock or pinging is misuse, and the Distributor's Limited Warranty does not cover parts damaged by misuse.

For oxygenated fuel information refer to page 86.

# MAINTENANCE

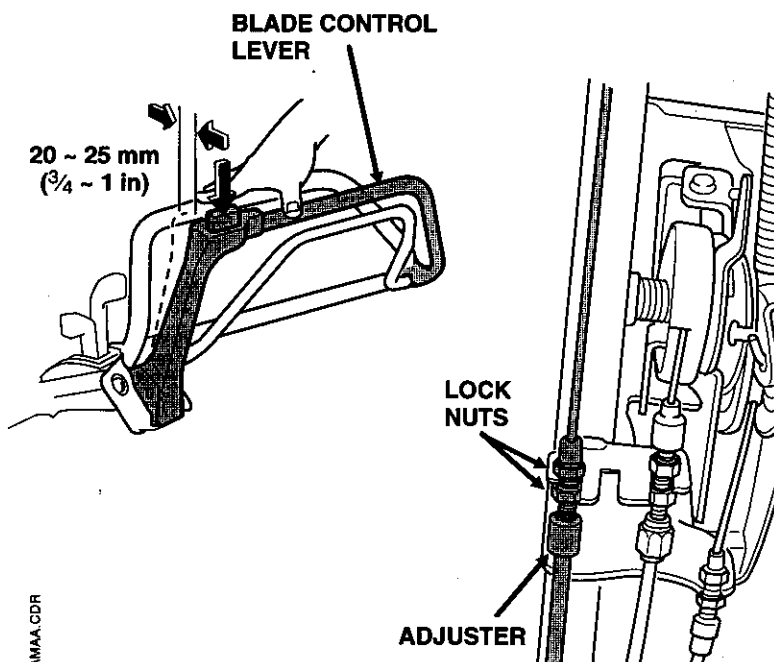
## CONTROL CABLE INSPECTIONS AND ADJUSTMENTS

### Blade Control Cable Inspection and Adjustment

Measure free play at the top of the lever, while holding the button down. Free play should be 20 ~ 25 mm ( $\frac{3}{4}$  ~ 1 in). If adjustment is necessary:

1. Loosen the locknuts with a 10 mm wrench, and move the adjuster up or down as required.
2. Tighten the locknuts and recheck free play.
3. Start the engine outdoors, and operate the blade control lever. Check that the blade starts when you push the lever forward and stops quickly when you release the lever.

If the blade does not start or stop as it should, with correct cable adjustment, take the mower to an authorized Honda servicing dealer for repair.

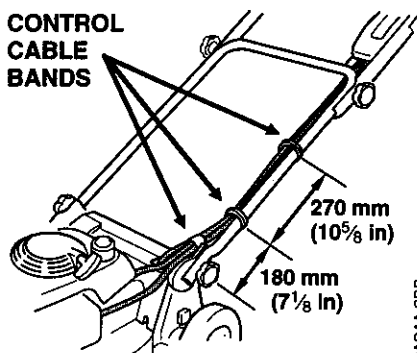




## Drive Clutch Cable Inspection and Adjustment

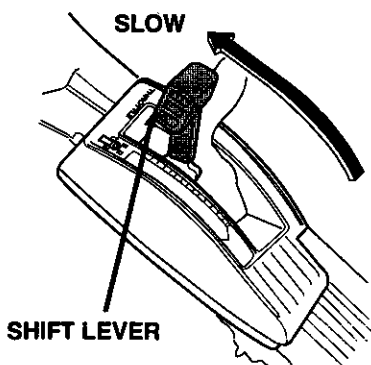
### HR215HMA & HR215HXA

1. Position the control cable bands as shown.
2. Set the rear cutting height adjusters in the lowest cutting height position (see page 16).



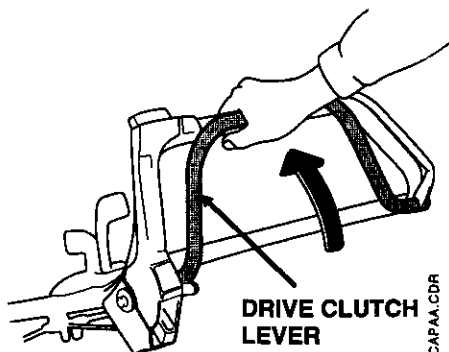
VASCA0AA.CDR

3. Move the shift lever to the slowest position.



VASCAEAB.CDR

4. Push the drive clutch lever all the way forward, and hold it against the handlebar.

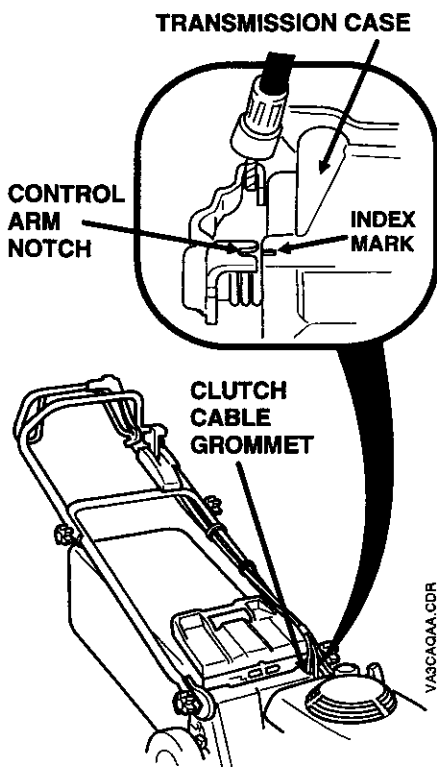


VASCAFAA.CDR

## MAINTENANCE

5. While holding the drive clutch lever all the way forward, look through the clutch cable grommet in the mower deck, and check the position of the control arm.

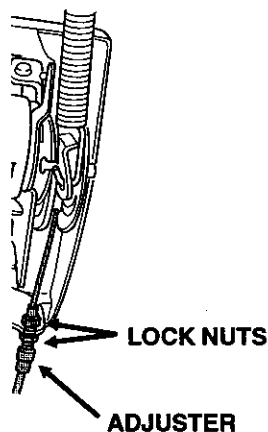
The center of the notch on the control arm should align with the index mark on the transmission case.



6. If adjustment is necessary, loosen the drive clutch cable lock nuts with a 10 mm wrench, and move the adjuster up or down as required. Tighten the lock nuts. Operate the clutch lever several times, and recheck control arm alignment.

7. After the control arm is precisely aligned, start the engine and operate the drive clutch lever. Check to be sure the drive clutch lever operates properly.

If the drive clutch lever does not operate properly after the cable is correctly adjusted, take the mower to an authorized Honda servicing dealer for repair.



## HR215SXA

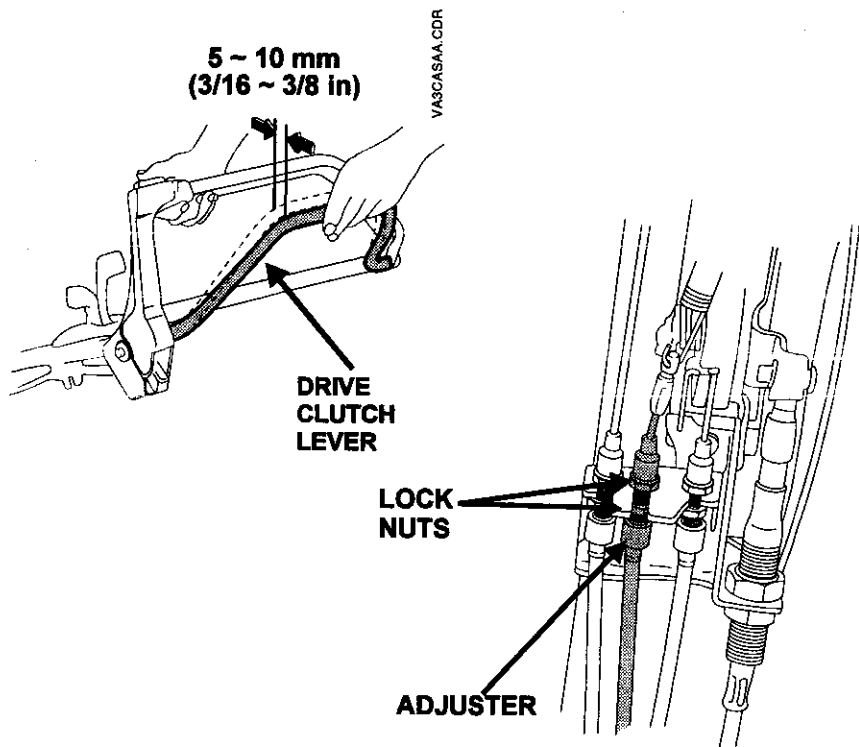
Measure free play at the top of the lever, as shown. Free play should be 5 ~ 10 mm ( $\frac{3}{16}$  ~  $\frac{3}{8}$ ). If adjustment is necessary:

Loosen the lock nuts with a 10 mm wrench, and move the adjuster up or down as required.

Tighten the lock nuts and recheck free play.

Start the engine outdoors, and operate the drive clutch lever. Check that the drive clutch engages and releases properly.

If the drive clutch does not operate as it should, with correct cable adjustment, take the mower to an authorized Honda servicing dealer for repair.



# MAINTENANCE

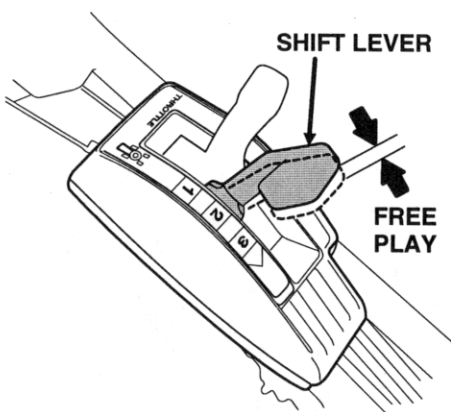
## Shift Cable Inspection and Adjustment (HR215SXA)

Shift cable adjustment is necessary if the shift lever does not align with the numbers beside the lever.

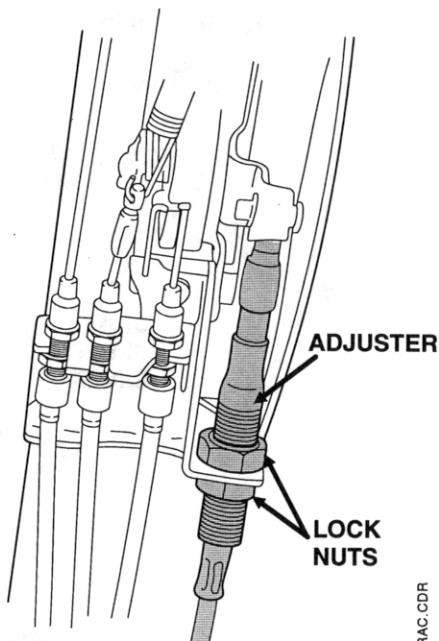
With the shift lever in 2nd speed, check that the lever, throughout its free-play range, is well-centered on the number "2" on the lever cover. If adjustment is necessary:

1. Loosen the lock nuts with a 19 mm wrench, and move the adjuster up or down as required.
2. Tighten the lock nuts and recheck free play.
3. Start the engine outdoors, and operate the shift lever (release the drive clutch lever before moving the shift lever). Check that the transmission shifts properly, and that the lever is aligned with the numbers beside it.

If the transmission does not shift as it should, with correct cable adjustment, take the mower to an authorized Honda servicing dealer for repair.



VA3CATAA.CDR



VA3CARAC.CDR

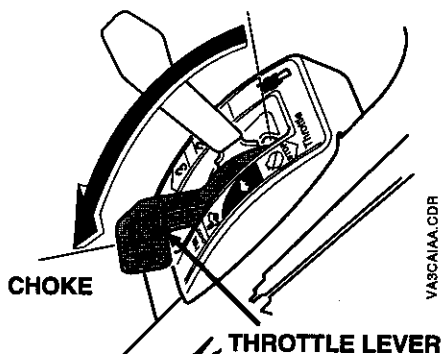
## THROTTLE CABLE INSPECTION

Throttle cable adjustment is necessary if the throttle lever does not operate the choke properly.

You can inspect choke operation by observing the movement of the choke arm, which is located on top of the carburetor.

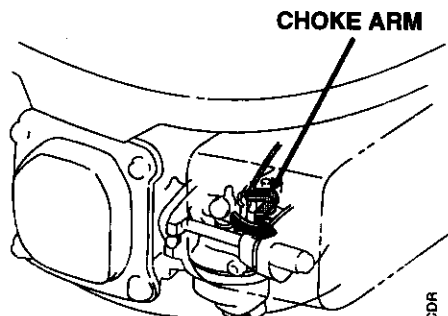
1. Move the throttle lever to the **CHOKE** position. The choke arm should move counterclockwise, until it contacts the stop post on the carburetor.

Push the choke arm with your finger to verify that it has moved as far as it will go.



2. Move the throttle lever to the **FAST** position. The choke arm should move clockwise, until it contacts the stop post on the carburetor.

Push the choke arm with your finger to verify that it has moved as far as it will go.



3. If the choke arm does not move all the way to its stop, in either direction, take the mower to an authorized Honda servicing dealer. Throttle cable adjustment involves related control plate adjustments.

# MAINTENANCE

## BLADE REMOVAL AND INSTALLATION

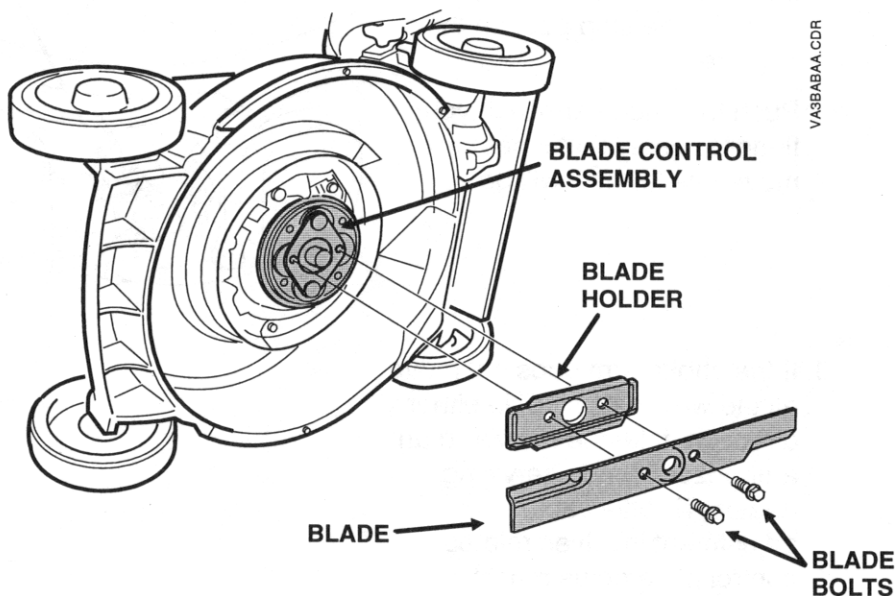
If you remove the blade for sharpening or replacement, you will need a torque wrench for installation. Wear heavy gloves to protect your hands.

**BLADE SHARPENING:** To avoid weakening the blade, or causing imbalance or poor cutting, the blade should be sharpened by trained staff at an authorized Honda servicing dealer.

**BLADE REPLACEMENT:** Use a genuine Honda replacement blade or its equivalent.

### Blade Removal

1. Put the throttle lever in the STOP (HR215HXA & HR215SXA) or FUEL VALVE OFF position (HR215HMA) to close the fuel valve. Disconnect the spark plug cap then tilt the mower to the right side, so the carburetor side is up. This will help to prevent fuel leakage and hard starting due to carburetor flooding.
2. Remove the two blade bolts with a 14 mm socket wrench. Use a wooden block to prevent the blade from turning when removing the bolts.
3. Remove the blade and blade holder from the blade control assembly.



VAS3BABA.CDR

## Blade Installation

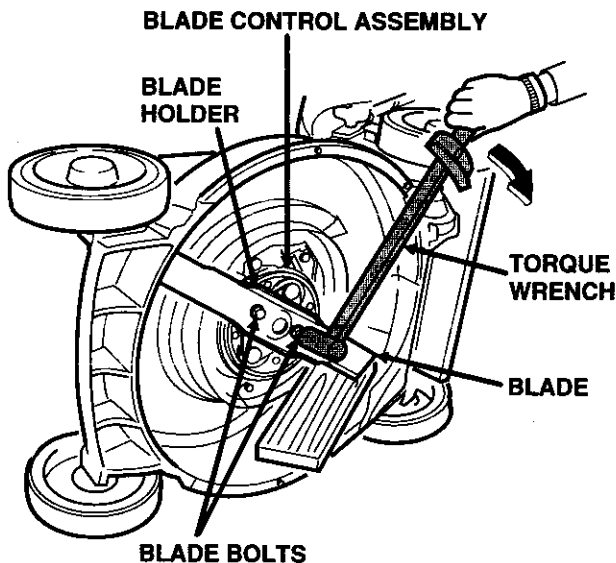
1. Clean dirt and grass from around the blade mounting area.
2. Install the blade and blade holder using the two blade bolts as shown.

The blade bolts are specially designed for this application and must not be replaced with other bolts.

3. Tighten the blade bolts with a torque wrench. Use a wooden block to prevent the blade from turning when tightening the bolts.

**Blade bolt torque:** 49 ~ 59 N·m; 5.0 ~ 6.0 kg·m (36 ~ 43 ft·lb)

If you do not have a torque wrench, have an authorized Honda servicing dealer tighten the blade bolts before you use the mower. If the blade bolts are overtightened, they could break. If the blade bolts are not tightened enough, they could loosen or come out. In either case, it would be possible for the blade to fly off while you are operating the mower.



# MAINTENANCE

## GRASS BAG CLEANING AND REPLACEMENT

### Grass Bag Cleaning

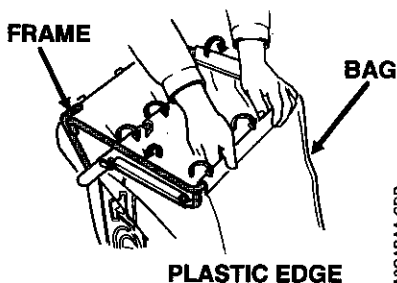
Wash the bag with a garden hose, and allow it to dry completely before use; a wet bag will clog quickly.

### Grass Bag Replacement

Replace a worn or damaged bag with a Honda replacement bag or its equivalent.

### Bag Removal

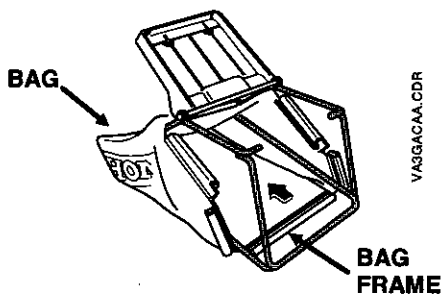
1. Unclip the plastic edges of the bag from the frame.
2. Remove the bag from the frame.



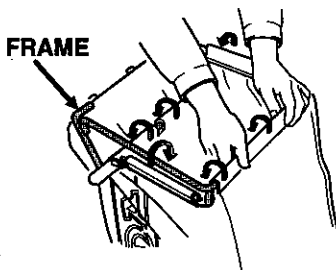
VA3GBAA.CDR

### Bag Installation

1. Insert the bag frame into the bag, as shown.
2. Clip the plastic edges of the bag onto the frame, as shown.



VA3GACAA.CDR



VA3CABAB.CDR

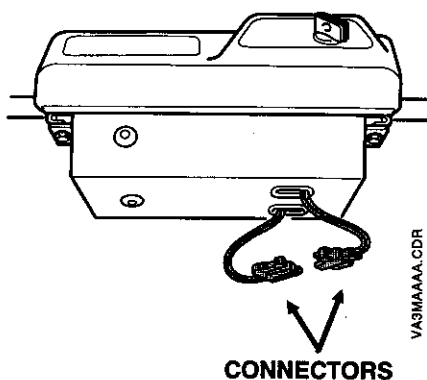


## BATTERY CHARGING (HR215HMA)

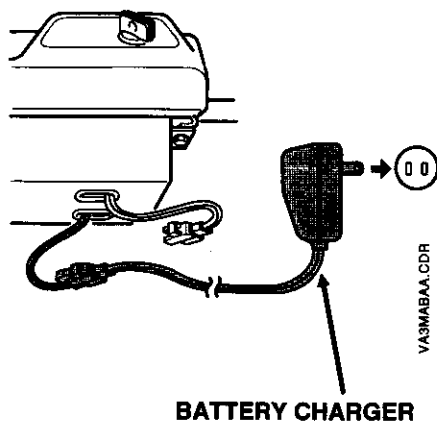
The engine will automatically recharge the battery when the mower is operated. A plug-in charger is provided for supplemental charging when the mower is not operated frequently enough to keep the battery charged.

Use the plug-in charger to recharge the battery once a month during seasons when you do not mow the lawn. This will help to extend the service life of the battery. Also use the plug-in charger after prolonged storage, or anytime you notice a decrease in starter motor speed.

1. Disconnect the battery connector, which is located under the engine switch housing.
2. Connect the battery connector to the charger supplied with the mower.



3. Plug the charger into a standard ac power outlet, and let the battery charge for 24 hours.
4. After the battery has been charged, disconnect the charger, and reconnect the battery connectors under the engine switch housing.



# MAINTENANCE

---

# 7. TROUBLESHOOTING

This chapter shows what to check if you have a problem with your mower.

<b>ENGINE PROBLEMS</b> .....	<b>66</b>
Engine will not start .....	66
Loss of power.....	66
<b>HR215HMA FUSE REPLACEMENT</b> .....	<b>67</b>
<b>VIBRATION PROBLEMS</b> .....	<b>68</b>
<b>MOWING AND BAGGING PROBLEMS</b> .....	<b>68</b>

# TROUBLESHOOTING

## ENGINE PROBLEMS

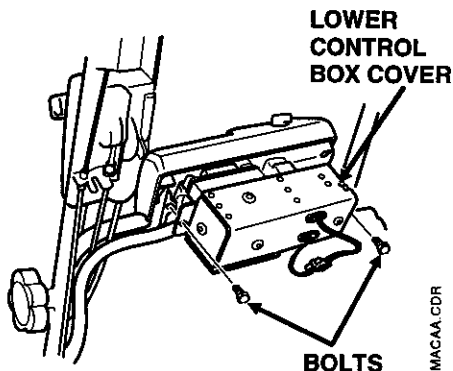
Engine Will Not Start	Possible Cause	Correction
1. HR215HMA electric starting: Check battery and fuse.	Battery discharged.	Recharge battery (p. 63).
	Fuse burnt out.	Replace fuse (p. 67).
2. Check control positions.	Throttle lever in wrong position.	Move throttle lever to CHOKE position, unless the engine is warm (p. 28).
	HR215HMA only: engine switch OFF.	Engine switch must be ON to use recoil starter (p. 29).
3. Check fuel.	Out of fuel.	Refuel (p. 21).
	Bad fuel; mower stored without treating or draining gasoline, or refueled with bad gasoline.	Drain fuel tank and carburetor (p. 72). Refuel with fresh gasoline (p. 21).
4. Remove and inspect spark plug.	Spark plug faulty, fouled, or improperly gapped.	Clean, gap, or replace spark plug (p. 51).
	Spark plug wet with fuel (flooded engine).	Dry and reinstall spark plug. Start engine with throttle lever in FAST position.
5. Take mower to an authorized Honda servicing dealer, or refer to shop manual.	Fuel filter clogged, carburetor malfunction, ignition malfunction, valves stuck, etc.	Replace or repair faulty components as necessary.

Loss Of Power	Possible Cause	Correction
1. Check under mower deck.	Mower deck clogged.	Clean out mower deck (p. 37).
2. Check air filters.	Air filters clogged.	Clean or replace air filters (p. 49).
3. Check fuel.	Bad fuel; mower stored without treating or draining gasoline, or refueled with bad gasoline.	Drain fuel tank and carburetor (p. 72). Refuel with fresh gasoline (p. 21).
4. Take mower to an authorized Honda servicing dealer, or refer to shop manual.	Fuel filter clogged, carburetor malfunction, ignition malfunction, valves stuck, etc.	Replace or repair faulty components as necessary.

## HR215HMA FUSE REPLACEMENT

The electric starter relay circuit and battery charging circuit are protected by a 1 ampere fuse. If the fuse burns out, the electric starter will not operate. The engine can be started manually if the fuse burns out, but running the engine will not charge the battery.

1. Remove the two bolts from the lower control box cover, using a 10 mm wrench.

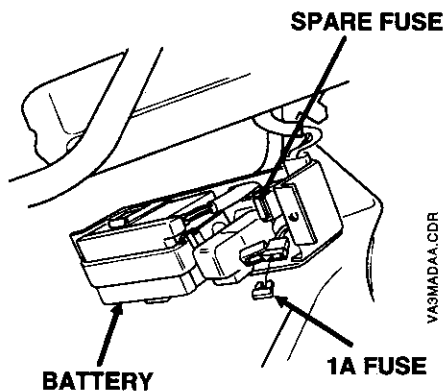


2. Remove the lower control box cover, and check the fuse. If it is burnt out, install the spare 1 ampere fuse provided with the mower.

### NOTICE

Never use a fuse with a rating other than 1 ampere. Serious damage to the electrical system or a fire can result.

If frequent fuse failure occurs, it usually indicates a short circuit or an overload in the electrical system. Take the mower to an authorized Honda servicing dealer for repair.



# TROUBLESHOOTING

## VIBRATION PROBLEMS

<b>Excessive vibration</b>	<b>Possible Cause</b>	<b>Correction</b>
1. Check mower deck and blade.	Grass and debris lodged under mower deck.	Clean out mower deck (p. 37).
	Blade loose, bent, damaged, or unbalanced by improper sharpening.	Tighten loose blade bolts. Replace damaged blade (p. 60 - 61).
2. Take mower to an authorized Honda servicing dealer for repair.	Mechanical damage, such as a bent crankshaft.	Replace or repair faulty components as necessary.

## MOWING AND BAGGING PROBLEMS

<b>Poor Cut Quality Or Poor Mowing/Bagging Performance</b>	<b>Possible Cause</b>	<b>Correction</b>
1. Check that the throttle lever is in the FAST position.	Engine speed is too slow to cut well.	Move throttle lever to the FAST position (p. 30).
2. Reduce forward speed.	Mower is moving too FAST for lawn conditions.	Shift to slow speed (p. 32), or push slower.
3. Check cutting height adjustment levers.	Adjustment levers set at different positions.	Set all levers at the same cutting height position (p. 16).
4. Check grass bag.	Grass bag overfilled or clogged.	Empty the grass bag. Wash the grass bag if clogged with dirt (p. 62).
5. Check mower deck and blade.	Mower deck clogged.	Clean out the mower deck (p. 37).
	Blade dull, worn, or damaged.	Sharpen or replace blade if necessary (p. 60 - 61).
	Wrong blade installed.	Install correct blade.

# 8. STORAGE

This chapter explains how to protect your mower from rust and corrosion, and ensure that it will start easily when you want to use it again.

<b>STORAGE PREPARATION</b> .....	<b>70</b>
Cleaning .....	70
Fuel .....	71
Adding fuel stabilizer to extend fuel storage life .....	71
Draining the Fuel Tank and Carburetor .....	72
Engine Oil .....	73
Engine Cylinder .....	73
Handlebar Folding .....	74
<b>PLACING IN STORAGE</b> .....	<b>75</b>
<b>REMOVING FROM STORAGE</b> .....	<b>75</b>

# STORAGE

---

## STORAGE PREPARATION

Proper storage preparation is essential for keeping your lawn mower trouble free and looking good. The following steps will help to keep rust and corrosion from impairing your mower's function and appearance, and will make the engine easier to start when you use the mower again.

### Cleaning

1. Wash the mower, including the underside of the mower deck.

### Engine

Wash the engine by hand, and be careful to prevent water from entering the air cleaner.

#### **NOTICE**

- Using a garden hose or pressure washing equipment can force water into the air cleaner. Water in the air cleaner will soak the filters and can enter the carburetor or engine cylinder, causing damage.
- Water contacting a hot engine can cause damage. If the engine has been running, allow it to cool for at least half an hour before washing.

### Mower Deck

If using a garden hose or pressure washing equipment to clean the mower deck, be careful to avoid getting water into controls and cables, or anywhere near the engine air cleaner or muffler opening.

Before washing the underside of the mower deck, be sure the throttle lever is in the STOP (HR215HXA & HR215SXA) or FUEL VALVE OFF (HR215HMA) position. Rest the mower on its right side, so the carburetor side is up. This will help to prevent fuel leakage and hard starting due to carburetor flooding. Wear heavy gloves to protect your hands from the blade.

### Grass Bag

Remove the bag from the mower, and wash it with a garden hose or pressure washing equipment. Allow the bag to dry completely before storage.



2. After washing the mower, wipe dry all accessible surfaces.
3. With the mower in an upright position, start the engine outdoors, and let it run until it reaches normal operating temperature to evaporate any water remaining on the engine.
4. While the engine is running, operate the blade control lever 4 or 5 times to expel water from the blade control mechanism. Allow the blade to spin for several minutes to ensure that no water remains.
5. Stop the engine, and allow it to cool.
6. After the mower is clean and dry, touch up any damaged paint, and coat other areas that may rust with a light film of oil. Lubricate all control cable cores with a silicone spray lubricant.

## **Fuel**

Gasoline will oxidize and deteriorate in storage. Old gasoline will cause hard starting, and it leaves gum deposits that clog the fuel system. If the gasoline in your mower deteriorates during storage, you may need to have the carburetor and other fuel system components, serviced or replaced.

The length of time that gasoline can be left in your fuel tank and carburetor without causing functional problems will vary with such factors as gasoline blend, your storage temperatures, and whether the fuel tank is partially or completely filled. The air in a partially filled fuel tank promotes fuel deterioration. Very warm storage temperatures accelerate fuel deterioration. Fuel deterioration problems may occur within a few months, or even less if the gasoline was not fresh when you filled the fuel tank.

The Distributor's Limited Warranty does not cover fuel system damage or engine performance problems resulting from neglected storage preparation.

You can extend fuel storage life by adding a gasoline stabilizer that is formulated for that purpose, or you can avoid fuel deterioration problems by draining the fuel tank and carburetor.

## STORAGE

### ***Adding fuel stabilizer to extend fuel storage life:***

When adding a fuel stabilizer, fill the fuel tank with fresh gasoline. If only partially filled, air in the tank will promote fuel deterioration during storage. If you keep a container of gasoline for refueling, be sure that it contains only fresh gasoline.

1. Add fuel stabilizer following manufacturer's instructions.
2. After adding a fuel stabilizer, run the engine outdoors for 10 minutes to be sure that treated gasoline has replaced the untreated gasoline in the carburetor.
3. Stop the engine, and leave the throttle lever in the STOP position (HR215HXA & HR215SXA) or FUEL VALVE OFF position (H215HMA). This turns off the fuel valve between the fuel tank and the carburetor.

### ***Draining the Fuel Tank and Carburetor:***

1. Remove the carburetor drain bolt with a 10 mm wrench, and drain the carburetor bowl fuel into an approved container.

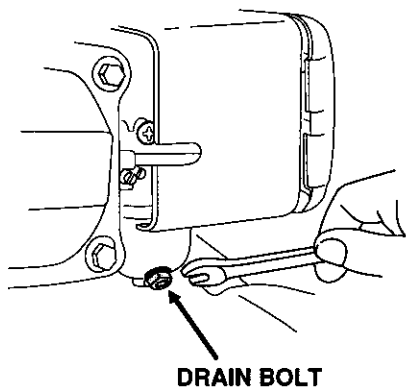
### **⚠ WARNING**

Gasoline is highly flammable and explosive, and you can be burned or seriously injured when handling fuel.

- Stop engine and keep heat, sparks, and flame away.
- Refuel only outdoors.
- Wipe up spills immediately.

2. Move the throttle lever to the SLOW or FAST position to open the fuel valve. This will allow fuel in the fuel tank to drain through the carburetor bowl.

3. Reinstall the drain bolt.

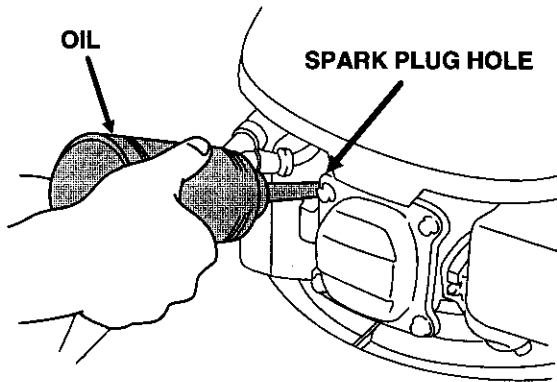


## Engine Oil

Change the engine oil (see page 47).

## Engine Cylinder

Remove the spark plug (see page 51). Pour a tablespoon (5 ~ 10 cc) of clean engine oil into the cylinder. Pull the starter rope several times to distribute the oil in the cylinder. Reinstall the spark plug.



# STORAGE

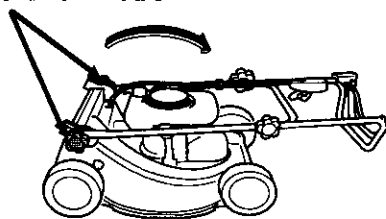
## Handlebar Folding

The handlebar can be folded for storage or transport by loosening the handlebar locking knobs.

1. Remove the grass bag. You can place it on top of the engine, with the bag opening to the front.
2. Loosen the lower handlebar locking knobs. Spread the handlebar struts to release the locating pins, then swing the handlebar forward.
3. Loosen the upper handlebar locking knobs, and swing the upper handlebar back, over the top of the mower. Be careful to avoid kinking or pinching the control cables.

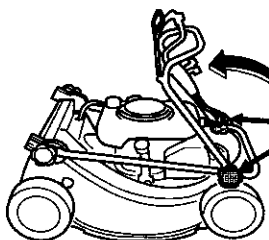
When unfolding the handlebar, be sure to tighten the locking knobs to secure the handlebar in the mowing position.

**LOWER  
LOCKING KNOBS**



VA3SAAA CDR

**UPPER  
LOCKING  
KNOBS**



VA3SAAAB CDR

## PLACING IN STORAGE

If your mower will be stored with gasoline in the fuel tank and carburetor, it is important to reduce the hazard of gasoline vapor ignition. Select a well-ventilated storage area away from any appliance that operates with a flame, such as a furnace, water heater, or clothes dryer. Also avoid any area with a spark-producing electric motor, or where power tools are operated.

If possible, avoid storage areas with high humidity, because that promotes rust and corrosion.

Unless all fuel has been drained from the fuel tank, leave the throttle lever in the STOP position (HR215HXA & HR215SXA) or in the FUEL VALVE OFF position (HR215HMA) to close the fuel valve and reduce the possibility of fuel leakage.

Place the mower with its wheels on a level surface. Tilting can cause fuel or oil leakage.

The handlebar can be folded for compact storage (see page 74).

With the engine and exhaust system cool, cover the mower to keep out dust. A hot engine and exhaust system can ignite or melt some materials. Do not use sheet plastic as a dust cover. A nonporous cover will trap moisture around the mower, promoting rust and corrosion.

## REMOVING FROM STORAGE

Check your mower as described in the BEFORE OPERATION chapter of this manual.

If the fuel was drained during storage preparation, fill the tank with fresh gasoline. If you keep a container of gasoline for refueling, be sure that it contains only fresh gasoline. Gasoline oxidizes and deteriorates over time, causing hard starting.

If the cylinder was coated with oil during storage preparation, the engine will smoke briefly at startup. This is normal.



# 9. SPECIFICATIONS

This chapter gives dimensions, capacities, and other technical information.

<b>MOWER MODELS .....</b>	<b>78</b>
<b>DIMENSION, WEIGHTS, AND CAPACITIES.....</b>	<b>78</b>
<b>ENGINE DESIGN AND PERFORMANCE .....</b>	<b>79</b>
<b>TRANSMISSION DESIGN AND PERFORMANCE .....</b>	<b>79</b>
<b>MAINTENANCE.....</b>	<b>80</b>
<b>TUNEUP .....</b>	<b>80</b>

# SPECIFICATIONS

## MOWER MODELS

HR215K1HMA:	Manual & electric starting; self-propelled; hydrostatic transmission
HR215K1HXA:	Manual starting; self-propelled; hydrostatic transmission
HR215K1SXA:	Manual starting; self-propelled; mechanical transmission

## DIMENSIONS, WEIGHTS, AND CAPACITIES

Maximum Length (handlebar extended)	Handlebar raised: 1,620 mm (63.8 in) Handlebar lowered: 1,740 mm (68.5 in)
Minimum Length (handlebar folded)	890 mm (35.0 in)
Width at Mower Deck	580 mm (22.8 in)
Maximum Height (handlebar extended and cutting height set at 77 mm (3 in))	Handlebar raised: 1,130 mm (44.5 in) Handlebar lowered: 970 mm (38.2 in)
Minimum Height (grass bag removed, handlebar folded, and cutting height set at 20 mm (3/4 in))	510 mm (20.1 in)
Dry weight (including grass bag)	HR215K1HMA: 50.0 kg (110.2 lb) HR215K1HXA: 46.0 kg (101.4 lb) HR215K1SXA: 45.5 kg (100.3 lb)
Cutting Width	530 mm (20.9 in)
Cutting Height (adjustable)	20 mm (3/4 in), 33 mm (1 1/4 in), 45 mm (1 3/4 in), 56 mm (2 1/4 in), 67 mm (2 5/8 in), 77 mm (3 in)
Fuel Tank Capacity	1.0 l (0.26 US gal)
Engine Oil Capacity	0.6 l (0.63 US qt)
Transmission Fluid Capacity	HR215K1HMA: 350 cc (11.8 fl. oz.) HR215K1HXA: 350 cc (11.8 fl. oz.) HR215K1SXA: 200 cc (6.8 fl oz)
Grass Bag Capacity	83 l (2.36 bushels; 21.9 US gal)



## ENGINE DESIGN AND PERFORMANCE

Engine Model	GXV140K1
Engine Type	4-stroke, overhead-valve, single cylinder, forced air-cooled
Displacement	135 cc (8.2 cu in)
Bore and Stroke	64 x 42 mm (2.52 x 1.65 in)
Compression Ratio	8:1
Ignition System	Transistorized magneto
Maximum Horsepower	3.7 kW (5.0 bhp) at 3,600 rpm
Maximum Torque	10.3 N·m (7.6 ft·lb) at 2,700 rpm

## TRANSMISSION DESIGN AND PERFORMANCE

Transmission Type	HR215K1HMA & HR215K1HXA: Hydrostatic HR215K1SXA: 3 speed gear type constant-mesh	
Maximum Mower Speed (with engine at 3,100 rpm)	HR215K1HMA & HR215K1HXA:	SLOW: 2.9 km/h (1.8 mph) FAST: 4.7 km/h (2.9 mph)
	HR215K1SXA:	1: 2.9 km/h (1.8 mph) 2: 4.3 km/h (2.7 mph) 3: 5.0 km/h (3.1 mph)

# SPECIFICATIONS

## MAINTENANCE

Fuel	Unleaded gasoline with a pump octane rating of 86 or higher	See page 53.
Engine Oil	SAE 10W-30 SF, SG or equivalent for general use	See page 47.
Transmission Oil	HR215K1HMA & HR215K1HXA: Honda hydrostatic fluid HR215K1SXA: Hypoid gear oil, SAE 90	See shop manual.
Spark Plug Type	NGK: BP5ES or BPR5ES ND: W16EP-U or W16EPR-U Champion: N12Y or RN12Y	See page 50.
Maximum Governed Speed	3,100 ± 150 rpm	See shop manual.
Blade Control Cable	Adjust for 20 ~ 25 mm ( $\frac{3}{4}$ ~ 1 in) free play at blade control lever.	See page 54.
Drive Clutch Cable	HR215K1HMA & HR215K1HXA: Adjust for transmission arm alignment. HR215K1SXA: Adjust for 5 ~ 10 mm ( $\frac{3}{16}$ ~ $\frac{3}{8}$ in) free play at drive clutch lever.	See page 55.  See page 57
Shift Cable	Adjust for shift lever alignment with numbers beside lever.	See page 58.
Throttle Cable	Adjust for proper choke operation and maximum governed speed.	See shop manual.
Blade Bolt Torque	49 ~ 59 N·m; 5.0 ~ 6.0 kg·m (36 ~ 43 ft·lb)	See page 61.

## TUNEUP

Spark Plug Gap	0.7 ~ 0.8 mm (0.028 ~ 0.031 in)	See page 51.
Idle Speed (blade control disengaged)	2,100 ± 150 rpm	See page 52.
Valve Clearance (cold)	Intake: 0.15 ± 0.02 mm Exhaust: 0.20 ± 0.02 mm	See shop manual.
Other Specifications	No other adjustments needed.	

# 10. INDEX

## A

- Air Cleaner Inspection.....22
- Air Cleaner Service .....49

## B

- Battery Charging  
(HR215HMA).....63

### Blade:

- Inspection .....19
- Installation .....61
- Removal .....60

### Blade Control Lever:

- Cable Adjustment.....54
- Operation .....14 & 30

## C

### Carburetor:

- Adjustment .....52
- High Altitude Operation.....52

- Choke .....12 & 28

- Clogged Mower Deck.....37

- Clothing Recommendations...25

- Component Identification .....10

- Contents.....3

### Control Cable Adjustments:

- Blade Control Lever .....54
- Drive Clutch Lever .....55
- Shift Lever (HR215SXA) ....58
- Throttle Lever .....59

### Customer Service

- Information .....89

### Cutting Height:

- Adjustment Levers .....16
- Recommendations .....36

### Cutting Width

- Recommendations .....36

## D

### Damage Prevention Message

- Definition .....2

- Description of Controls .....12

### Drive Clutch Lever:

- Cable Adjustment .....55
- Operation .....14 & 31

## E

- Emission Control System .....44

### Engine:

- Fuel Recommendations.....53

- Maintenance .....47

- Oil Change.....47

- Oil Level .....20

- Oil Recommendations .....47

- Refueling.....21

- Serial Number.....10

- Specifications.....77

- Starting.....28

- Stopping.....33

- Troubleshooting.....65

### Engine Switch

- (HR215HMA) .....13

## F

- Fallen Leaves; Bagging .....37

- Frame Serial Number .....10

### Fuel:

#### Additive to Extend Storage

- Life .....72

#### Gasoline

- Recommendations.....53

- Draining .....72

- Refueling.....21

#### Fuse Replacement

- (HR215HMA) .....67

# INDEX

---

## G

- Gasoline
- Recommendations ..... 53
- Grass Bag:
  - Cleaning ..... 62
  - Inspection ..... 24
  - Removal and Installation.... 24
  - Replacement ..... 62

## H

- Handlebar Height
  - Adjustment ..... 23
- Handlebar Folding..... 74
- High Altitude Operation..... 52

## I

- Inspection Before Mowing:
  - Lawn..... 18
  - Mower..... 19
- Introduction ..... 1

## L

- Lawn:
  - Inspection Before Mowing . 18
  - Mowing Tips ..... 36
  - Safe Mowing Practices ..... 34
- Leaves; Bagging ..... 37

## M

- Maintenance:
  - Blade Removal and Installation ..... 60
  - Cable Adjustments ..... 54
  - Engine ..... 47
  - Grass Bag Cleaning & Replacement ..... 62
  - Importance of ..... 42
  - Owner's Responsibility..... 45
  - Precautions ..... 43

- Safety ..... 43
- Schedule ..... 46
- Specifications..... 80

Mcwer Deck Clogging ..... 37

## Mowing:

- Around Obstacles, Gravel, Objects ..... 35
- Dry & Wet Grass ..... 37
- Fallen Leaves ..... 37
- Pattern ..... 38
- Slopes ..... 34
- Tips ..... 36
- When to Mow ..... 36

## O

### Oil (for engine):

- Change ..... 47
  - Level Check ..... 20
  - Recommendations..... 47
- Operating the Controls for Mowing ..... 30

## P

### Pre-Operation Check:

- Lawn ..... 18
  - Mower ..... 19
- Publications ..... 88

## S

### Safety:

- Important Message to Parents ..... 7
  - Safe Mowing Practices ..... 34
  - Important Safety Information ..... 6
  - Safety Label Locations ..... 8
  - Safety Message Definitions 2
  - Serial Numbers ..... 10
- Shift Lever:
- Cable Adjustment ..... 58

Operation .....	15 & 32	Tuneup Specifications .....	80
Spark Arrester Service (Optional Part) .....	87		
Spark Plug Recommendations & Service .....	50		
Specifications:			
Capacities .....	78		
Dimensions .....	78		
Engine Design and Performance .....	79		
Maintenance .....	80		
Transmission Design and Performance .....	79		
Tuneup .....	80		
Weights .....	78		
Starting the Engine .....	28		
Stopping the Engine .....	33		
Storage:			
Placing In Storage .....	75		
Preparation .....	70		
Removing From Storage .....	75		

## W

Washing:	
Grass Bag .....	62 & 70
Mower .....	70

## T

Throttle Lever:	
Cable Inspection .....	59
Operation .....	12 & 30
Transmission:	
Drive Clutch Cable Adjustment .....	55
Drive Clutch Lever Operation .....	14 & 31
Shift Lever Cable Adjustment .....	58
Operation .....	15 & 32
Specifications .....	77
Transporting .....	39
Troubleshooting:	
Engine Problems .....	66
Mowing and Bagging Problems .....	68
Vibration Problems .....	68



# 11. ADDITIONAL INFORMATION

This chapter contains additional information, Honda publications available to you, and tells you how to contact us if you have a question or a warranty repair problem.

<b>OXYGENATED FUELS</b> .....	<b>86</b>
<b>SPARK ARRESTER SERVICE (OPTIONAL EQUIPMENT)</b> .....	<b>87</b>
<b>HONDA PUBLICATIONS</b> .....	<b>88</b>
Shop Manual .....	88
Parts Catalog .....	88
<b>CUSTOMER SERVICE INFORMATION</b> .....	<b>89</b>

## ADDITIONAL INFORMATION

---

### OXYGENATED FUELS

Some conventional gasolines are being blended with alcohol or an ether compound. These gasolines are collectively referred to as oxygenated fuels. To meet clean air standards, some areas of the United States and Canada use oxygenated fuels to help reduce emissions.

If you use an oxygenated fuel, be sure it is unleaded and meets the minimum octane rating requirement.

Before using an oxygenated fuel, try to confirm the fuel's contents. Some states/provinces require this information to be posted on the pump.

The following are the EPA approved percentages of oxygenates:

**ETHANOL** — (ethyl or grain alcohol) 10% by volume  
You may use gasoline containing up to 10% ethanol by volume. Gasoline containing ethanol may be marketed under the name "Gasohol".

**MTBE** — (Methyl Tertiary Butyl Ether) 15% by volume  
You may use gasoline containing up to 15% MTBE by volume.

**METHANOL** — (methyl or wood alcohol) 5% by volume  
You may use gasoline containing up to 5% methanol by volume, as long as it also contains cosolvents and corrosion inhibitors to protect the fuel system. Gasoline containing more than 5% methanol by volume may cause starting and/or performance problems. It may also damage metal, rubber, and plastic parts of your fuel system.

If you notice any undesirable operating symptoms, try another service station, or switch to another brand of gasoline.

Fuel system damage or performance problems resulting from the use of an oxygenated fuel containing more than the percentages of oxygenates mentioned above are not covered under warranty.

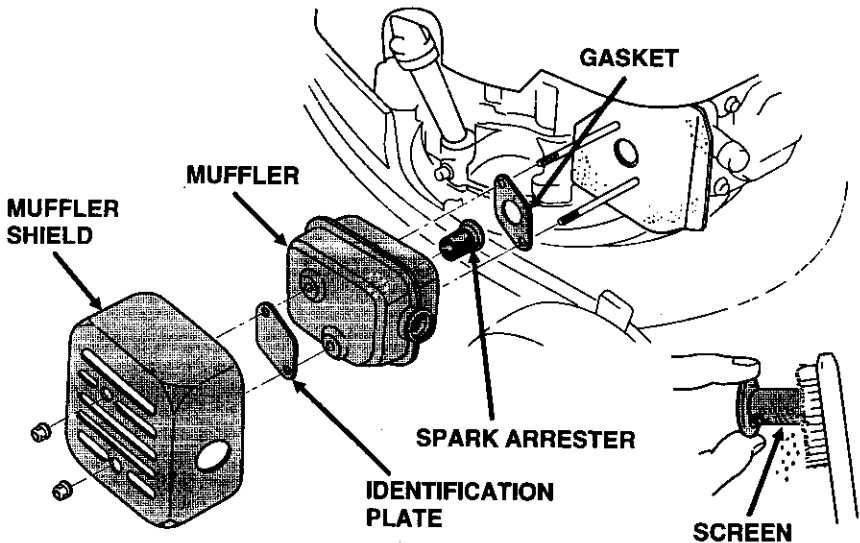


### SPARK ARRESTER SERVICE (OPTIONAL EQUIPMENT)

Your mower is not equipped with a spark arrester, and it may be illegal to operate the mower in some areas. Check local laws and regulations. An optional spark arrester is available from your authorized Honda lawn mower dealer.

The spark arrester must be serviced every 100 hours to keep it functioning as designed.

1. Remove the two nuts from the muffler shield, using a 10 mm socket wrench.
2. Remove the muffler shield, identification plate, muffler, and gasket.
3. Remove the spark arrester from the muffler.
4. Check for carbon deposits on the spark arrester and the exhaust port. Brush carbon deposits away. Be careful to avoid damaging the spark arrester screen. Inspect the spark arrester screen for breaks or tears and replace if necessary.
5. Install the spark arrester in the muffler.
6. Install the muffler components on the engine, and tighten the two nuts securely.



## **ADDITIONAL INFORMATION**

---

### **HONDA PUBLICATIONS**

These publications will give you additional information for maintaining and repairing your mower. You may order them from your Honda lawn mower dealer.

#### **Shop Manual**

This manual covers complete maintenance and overhaul procedures. It is intended to be used by a skilled technician.

#### **Parts Catalog**

This manual provides complete, illustrated parts lists.

### CUSTOMER SERVICE INFORMATION

Honda Power Equipment dealership personnel are trained professionals. They should be able to answer any question you may have. If you encounter a problem that your dealer does not solve to your satisfaction, please discuss it with the dealership's management. The Service Manager or General Manager can help. Almost all problems are solved in this way.

If you are dissatisfied with the decision made by the dealership's management, contact the Honda Power Equipment Customer Service Office. You can write:

**American Honda Motor Co., Inc.**  
Honda Power Equipment Division  
Customer Service Office  
4475 River Green Parkway  
Duluth, GA 30136-2565

Or telephone: (404) 497-6400

When you write or call, please give us this information:

- Model and serial numbers (see page 10)
- Name of the dealer who sold the lawn mower to you
- Name and address of the dealer who services your lawn mower
- Date of purchase
- Your name, address, and telephone number
- A detailed description of the problem

## **Current customer service contact information:**

### **United States, Puerto Rico, and U.S. Virgin Islands:**

Honda Power Equipment dealership personnel are trained professionals. They should be able to answer any question you may have. If you encounter a problem that your dealer does not solve to your satisfaction, please discuss it with the dealership's management. The Service Manager or General Manager can help. Almost all problems are solved in this way.

If you are dissatisfied with the decision made by the dealership's management, contact the Honda Power Equipment Customer Relations Office. You can write:

American Honda Motor Co., Inc.  
Power Equipment Division  
Customer Relations Office  
4900 Marconi Drive  
Alpharetta, GA 30005-8847

Or telephone: (770) 497-6400 M-F, 8:30 am - 7:00 pm EST

When you write or call, please provide the following information:

- Model and serial numbers
- Name of the dealer who sold the Honda power equipment to you
- Name and address of the dealer who services your equipment
- Date of purchase
- Your name, address, and telephone number
- A detailed description of the problem

## Quick Reference Information

Fuel	Type	Unleaded gasoline with pump octane of 86 or higher (page 53)
	Capacity	1.0 / (0.26 U.S. gallon)
Engine Oil	Type	High detergent, SAE 10W-30 API SF or SG (page 48)
	Capacity	0.6 / (0.63 U.S. quart)
Spark Plug	Type	Regular: NGK BP5ES, ND W16EP-U, or Champion N12Y Resistor: NGK BPR5ES, ND W16EPR-U, or Champion RN12Y
	Gap	0.7 ~ 0.8 mm (0.028 ~ 0.031 inch) (page 51)
Blade Bolts	Torque	49 ~ 59 N·m (36 ~ 43 ft·lb) (page 61)
Carburetor	Idle Speed	2,100 ± 150 rpm (page 52)
Maintenance	Before each use	Check blade bolt tightness and blade (page 61 and 19) Check grass bag (page 24) Check engine oil (page 48) Check air cleaner (page 49)
	First 20 hours	Change engine oil (page 47) Check blade control mechanism (dealer service) Adjust blade control lever (page 54) Adjust drive clutch lever (page 55) Adjust shift cable if applicable (page 58) Adjust throttle cable (dealer service)
	Subsequent	Refer to the Maintenance Schedule on page 46

**HONDA**

31VA3801  
00X31-VA3-8010



Printed on  
Recycled Paper

**K1**  
CPI 70009603  
**PRINTED IN U.S.A.**