

HONDA

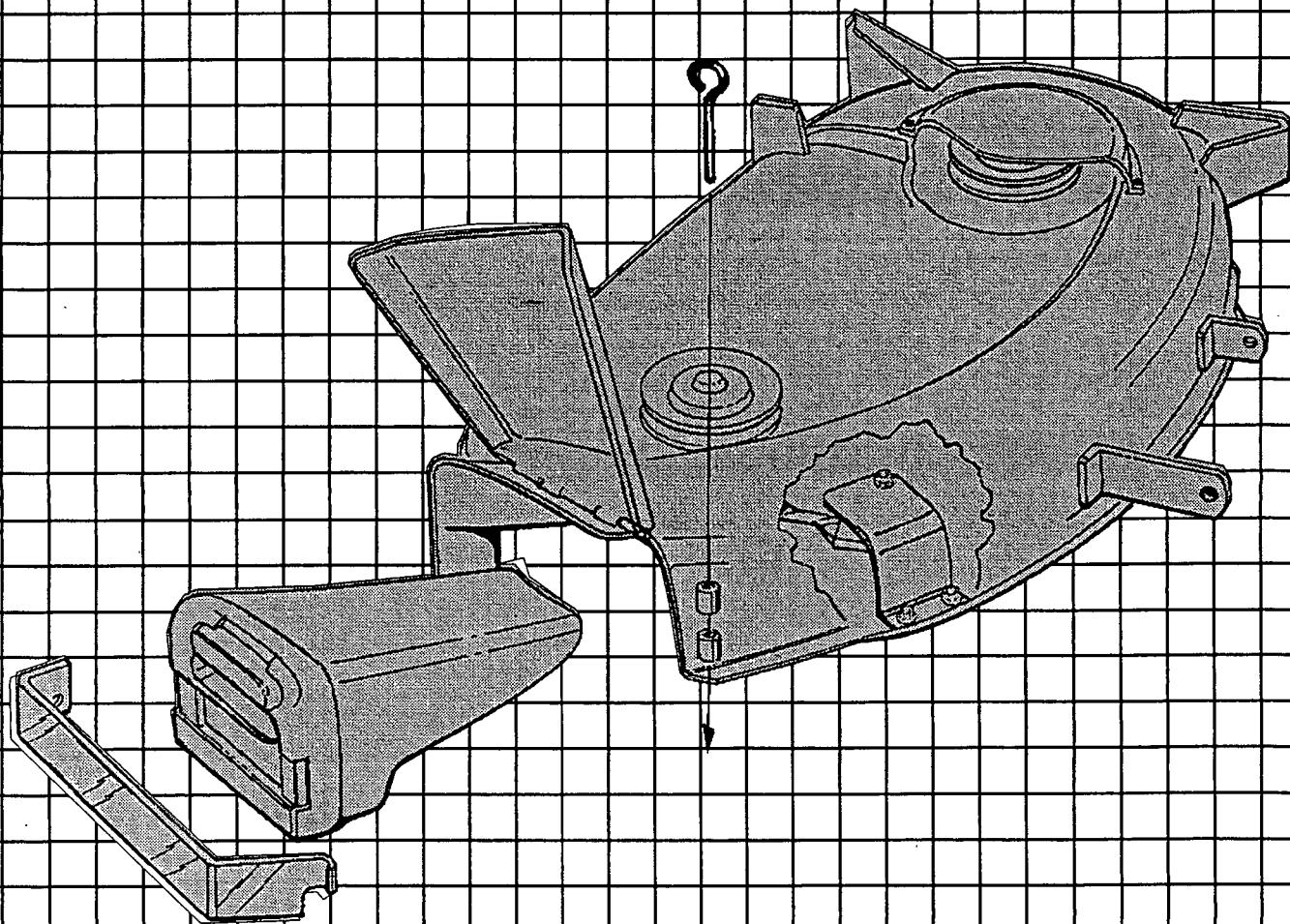
Power

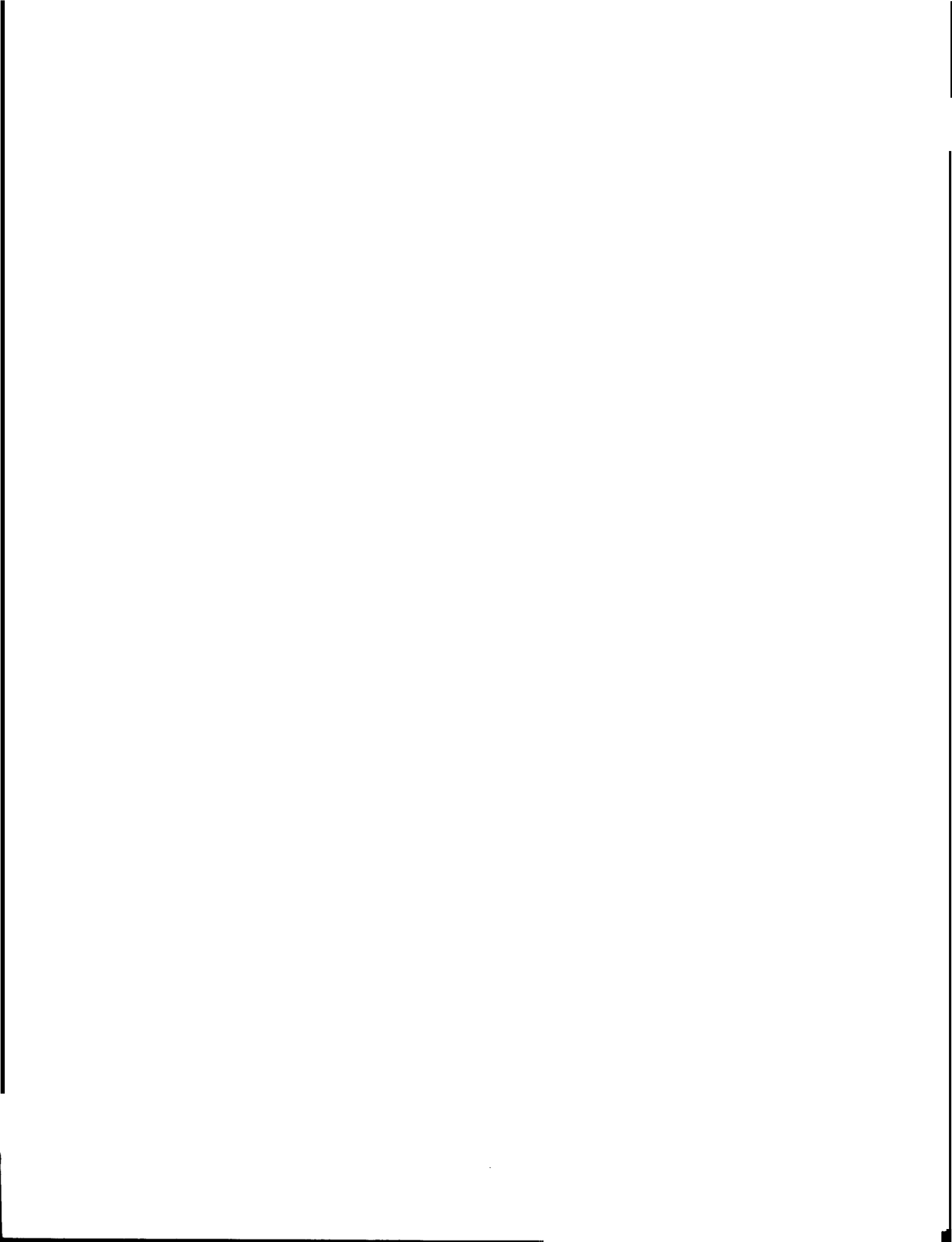
Equipment

OPERATOR'S MANUAL

38" MULCHING KIT

H2000 AND H4000 SERIES LAWN TRACTORS






The information in this operator's manual is limited in application to the Honda mulching kit for Honda H4000 and H2000 Series lawn tractors with 38" mower decks. Before installing or operating this equipment, read this manual and the owner's manual supplied with the Honda lawn tractor.

All information in this publication is based on the latest H4000 Series lawn tractor product information available at the time of printing. Although the H2000 Series tractor and mower have some differences, installation and operation of the mulching kit are the same. American Honda Motor Co., Inc. reserves the right to make changes at any time without incurring any obligation. No part of this publication may be reproduced without written permission.




This manual is a permanent part of the lawn tractor and must stay with the lawn tractor if resold.

Safety Messages

Your safety and the safety of others are very important. We have provided important safety messages in this manual and on the lawn tractor. Please read these messages carefully.

A safety message alerts you to potential hazards that could hurt you or others. Each safety message is preceded by a safety alert symbol  and one of three words: DANGER, WARNING, or CAUTION.

These mean:

 DANGER	You WILL be KILLED or SERIOUSLY HURT if you don't follow instructions.
 WARNING	You CAN be KILLED or SERIOUSLY HURT if you don't follow instructions.
 CAUTION	You CAN be HURT if you don't follow instructions

Each message tells you what the hazard is, what can happen, and what you can **do** to avoid or reduce injury.

Damage Prevention Messages

You will also see other important messages that are preceded by the word **NOTICE**.

This word means:

 NOTICE	Your equipment or other property can be damaged if you don't follow instructions.
---	---

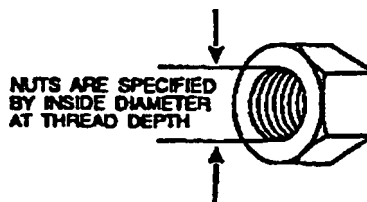
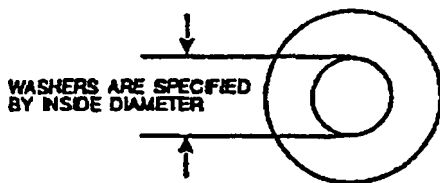
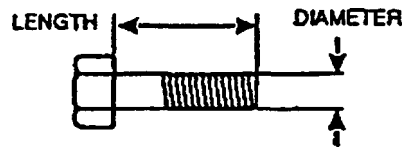
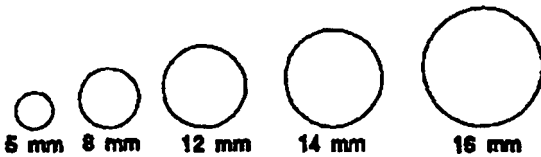
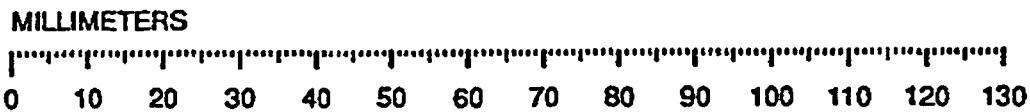
The purpose of these messages is to help prevent damage to the lawn tractor, other property, or the environment.

I. DEALER INSTALLATION INSTRUCTIONS

The installation of this kit must be performed by an authorized Honda lawn tractor dealer. These instructions are provided for dealer use.

FOLLOW THESE INSTRUCTIONS CAREFULLY. Proper installation of this kit is essential for safe, reliable operation. Poor operation is a major cause of customer dissatisfaction. Your customer expects this kit to be correctly installed, adjusted, and ready to use.

FASTENER MEASUREMENT

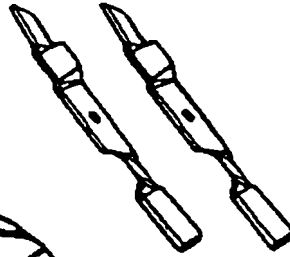


NUT AND BOLT DIAMETER	TORQUE VALUES		
	ft-lb	kg-m	N·m
8 mm nuts and bolts	16.0	2.2	22
10 x 28 mm flange bolt (blade)	43.4	6.0	59

1. DEALER INSTALLATION INSTRUCTIONS

MULCHING KIT CONTENTS

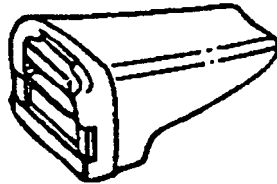
Mulching Blades
(2)



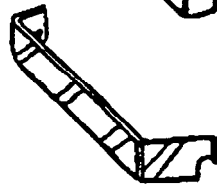
Swirl Guide A



Swirl Guide B



Cover Plate



Ring Pin



8 x 15 mm Carriage Bolt (1)



8 x 22 Flange Bolt (1)



8 mm Locking Flange Nuts (2)



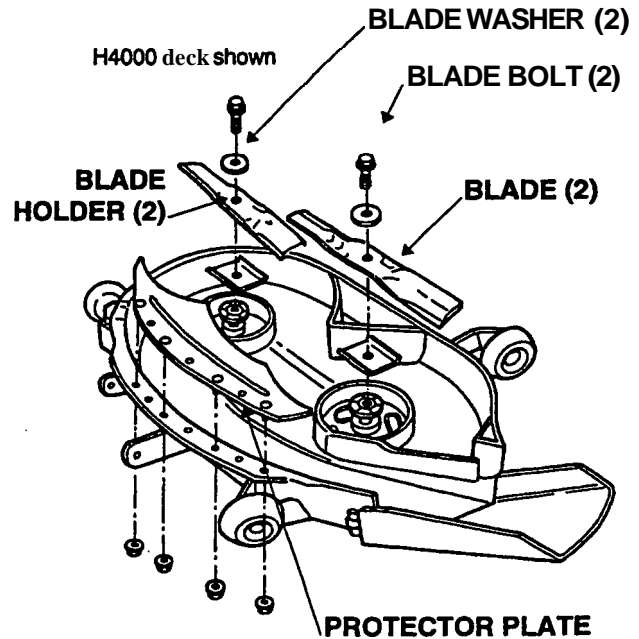
Mulching Kit Installation

The mower deck must be removed from the lawn tractor to install the mulching kit. Refer to deck removal and installation instructions in the owner's manual or shop manual.

Installation requires drilling an additional bolt hole. For your safety, wear eye protection when operating power tools.

1. Remove the blade, blade holder, and the protector plate (and lower chute if equipped with grass-bagging kit). Use a wooden block to prevent the blades from turning when removing the bolts.

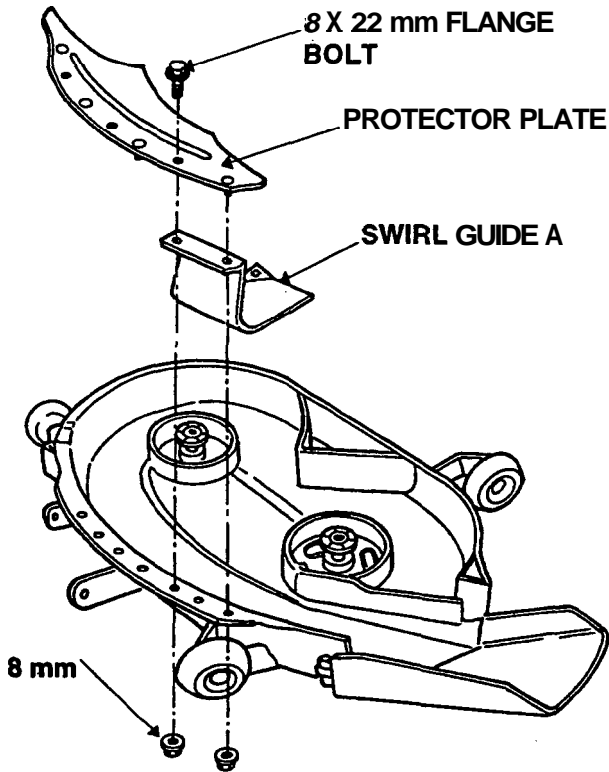
Do not remove the discharge chute.



2. Clean and inspect the mower deck. The deck must be free of dents and deformities for the mulching kit to fit properly. Clean out all old grass if installing on a used deck.

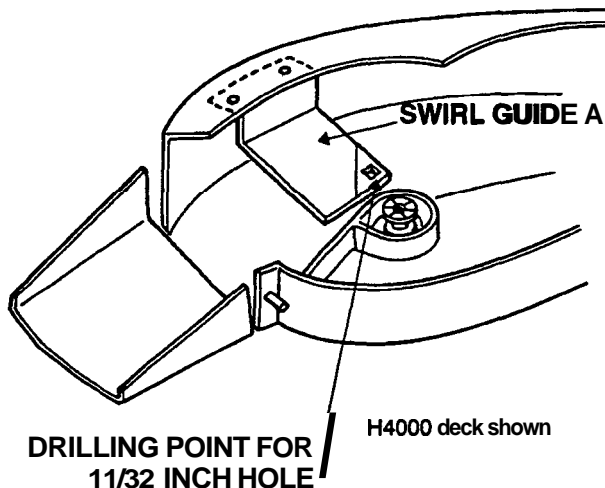
1. DEALER INSTALLATION INSTRUCTIONS

3. Temporarily install swirl guide A on the mower deck, using the stud and nut provided on the protector plate and the 8 mm flange bolt and nut.



H4000 deck shown

4. Insert a pencil through the square hole in swirl guide A to mark a drilling point on the mower deck. Remove swirl guide A from the mower deck. Center punch and drill the mower deck at the pencil mark. Use an 11/32 inch drill. Wear eye protection when drilling. Remove any burrs from the holes.



5. Install swirl guide A on the mower deck, using the 8 mm carriage bolt, the 8 x 22 mm flange bolt, 8 mm locking flange nuts, and protector plate. Tighten all 8 mm nuts and bolts to a torque value of 16 ft-lb (2.2 kg-m).

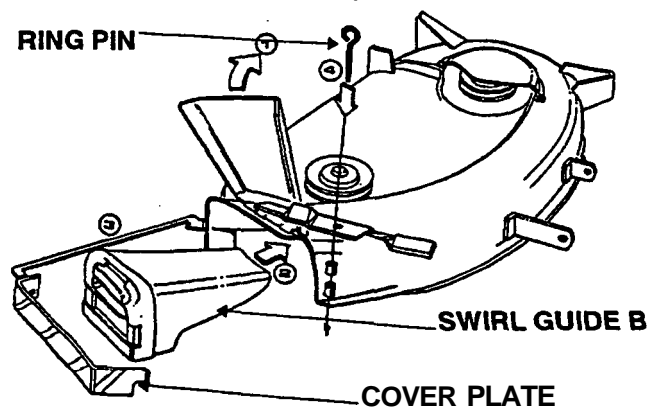
6. Install the mulching blades, using the original hardware.

Be sure the blades are positioned right side up (outer edges turned up toward the mower deck). If the blades are installed upside down, they cannot cut properly. The blade bolts and washers are specially designed for this application and must not be replaced with any other bolts.

Use a wooden block to prevent the blades from turning when tightening bolts.

Tighten the blade bolts to a torque value of 43.4 ft-lb (6.0 kg-m).

7. Install the mower deck onto the lawn tractor. Refer to deck removal and installation in the owner's manual or shop manual.
8. Install swirl guide B into the discharge opening. Make sure the tip of swirl guide B is located between swirl guide A and the top of the mower deck.
9. Install the cover plate by placing the hole in the cover plate over the lower chute retaining pin located on the rear side of the discharge opening.
10. Align the cover plate in the groove on swirl guide B so that the ring pin can be inserted through the lower chute retaining bracket and the cover plate.



2. SAFETY

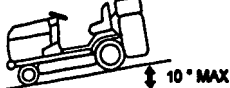
SAFETY LABEL LOCATIONS (H4000 Series)

Read all safety instructions before operating the lawn tractor.

⚠ WARNING

LAWN TRACTORS CAN BE HAZARDOUS IF OPERATED IMPROPERLY. TO AVOID SERIOUS INJURY, READ ALL SAFETY INSTRUCTIONS CAREFULLY.

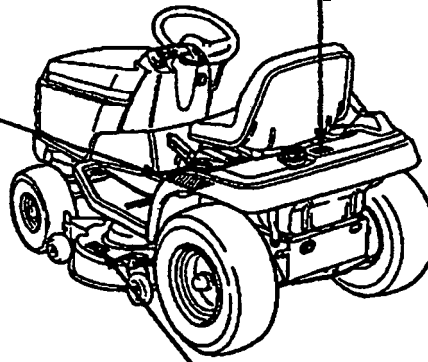
- READ OWNER'S MANUAL BEFORE OPERATION. THE OWNER'S MANUAL HAS IMPORTANT SAFETY AND OPERATION INFORMATION.
- LEARN THE LOCATION AND FUNCTION OF ALL CONTROLS. IN AN EMERGENCY YOU SHOULD BE ABLE TO OPERATE THEM QUICKLY.
- DO NOT ALLOW CHILDREN TO OPERATE OR PLAY WITH THE TRACTOR OR ITS CONTROLS.
- THE MOWER BLADE IS SHARP. BE SURE BLADE AND ENGINE ARE STOPPED COMPLETELY BEFORE PLACING HANDS OR FEET NEAR THE BLADE.
- THROWN OBJECTS CAN CAUSE INJURY. BEFORE MOWING, REMOVE ALL DEBRIS FROM THE AREA. BE SURE GUARDS ARE IN PLACE, AND KEEP CHILDREN AND PETS AWAY.
- EXCEEDING THE MAXIMUM SAFE OPERATING ANGLE MAY CAUSE THE TRACTOR TO TIP OVER. REDUCE SPEED WHEN TURNING OR OPERATING ON SLOPES.




10 DEGREES (17% GRADE)

⚠ WARNING

GASOLINE IS FLAMMABLE. STOP ENGINE, AVOID HEAT, SPARKS, AND OPEN FLAME WHEN REFUELING.



⚠ DANGER




ROTATING BLADE
KEEP HANDS AND FEET AWAY FROM MOWER AND DISCHARGE GUARD WHILE BLADE IS TURNING.

⚠ DANGER



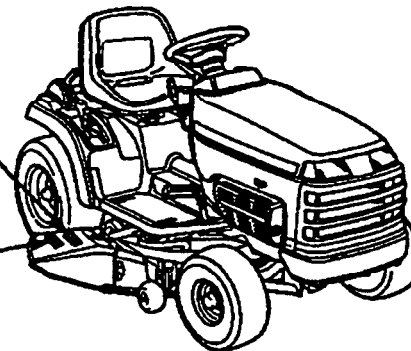
ROTATING BLADE
KEEP HANDS AND FEET AWAY FROM MOWER AND DISCHARGE GUARD WHILE BLADE IS TURNING.

⚠ DANGER



THROWN OBJECTS
OBJECTS THROWN BY THE MOWER CAN CAUSE INJURY OR DEATH.

- CLEAR LAWN OF ALL DEBRIS.
- BE SURE DISCHARGE GUARD OR CHUTE ARE IN PLACE.
- KEEP PEOPLE AND PETS AWAY.



SAFETY LABEL LOCATIONS (H2000 Series)

Read all safety instructions before operating the lawn tractor.

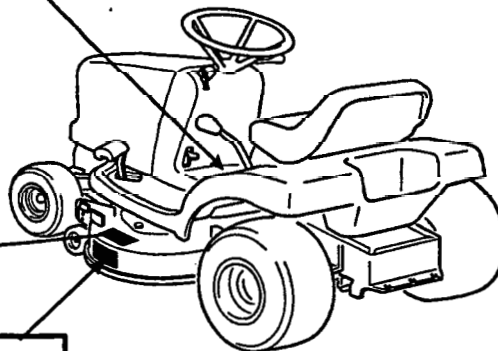
⚠ WARNING

- Improperly driving on slopes or uneven terrain can cause the mower to tip over and you can be seriously hurt or killed.
- Objects hidden in the lawn can be thrown by the blade and can cause serious injury.
Read "Mower Safety" and "Safe Mowing Tips" in your Owner's Manual carefully.
- The rotating blade can cause serious injury
 - Keep hands and feet away from the mower deck
 - Stop engine before leaving operator's position
- Do not allow children to ride as passengers.
They can fall or be thrown off causing serious injury or death.
Read "Child Safety" in the Owner's Manual carefully.

⚠ DANGER




SHARP BLADE
You will be seriously cut by the rotating blade.
Keep hands and feet away when engine is running.



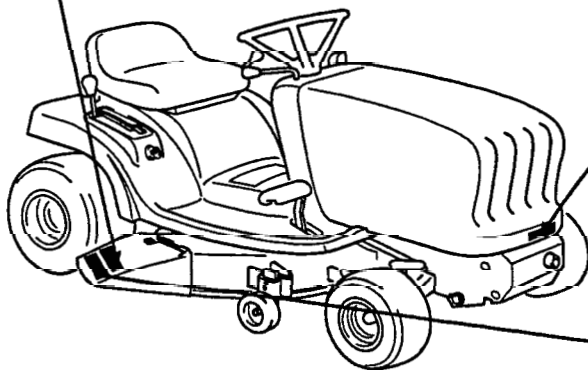
⚠ CAUTION

The tension pulley is under spring pressure. When you relieve pressure on the belt, the pulley can snap back on your hand or fingers.
Wear heavy gloves to protect your hands. Keep your hands from between pulleys.

⚠ WARNING



Objects hidden in the lawn can be thrown by the mower blade. Thrown objects can cause serious injury.
 ■ Clean the lawn of all debris before mowing.
 ■ Do not operate the mower without either the discharge guard or the entire grass catcher in place.
 ■ Wear eye protection.
 ■ Keep people away while mowing.



⚠ CAUTION

HOT MUFFLER CAN BURN YOU
Stay away if engine has been running.

⚠ DANGER



SHARP BLADE
You will be seriously cut by the rotating blade.
Keep hands and feet away when engine is running.

GRASS CUTTING BASICS

Cutting Height

A cutting height setting of 1 1/2 or 2 inches is appropriate for most lawns during cool weather. A higher cut may be needed to protect the lawn during hot summer months. Consult a local nursery or lawn and garden center for advice about specific types of grasses and growing conditions in your area.

Most grasses should be cut when they have grown 1/2 to 1 inch above the recommended height. If your grass gets too tall, cut it back a little at a time, allowing a few days for the grass to recover between mowings. Avoid cutting more than one third of total grass height in any one mowing.

For best mulching results, mow the lawn frequently enough that **you** will need to cut off less than one inch. Frequent mowing, with light cuts, makes it easier for your mulching mower to turn grass clippings into fine particles that will fall through the turf and decompose quickly.

Cutting Width

For an even lawn finish, overlap each mowing swath by a few inches. If the grass is very tall or thick, use more overlap and a narrower mowing swath. If clogging or clumping occurs, you may also need to mow more slowly or raise the cutting height setting.

Blade Speed

For best performance, the blades must spin very fast. Always use the fast throttle setting, and keep the engine running at or near maximum rpm. If **you** hear the engine speed decrease, mow more slowly, cut a narrower swath, or raise the cutting height setting.

Blade Sharpness

Keep the blades sharp. Sharp blades cut cleanly. Dull blades tear the grass, leaving shredded ends that turn brown.

Moisture

Always wait for wet grass to dry. Wet grass clippings will clog the mower deck and collect in clumps on the lawn.

If the soil is very dry, mowing can stir up a lot of dust. Besides being unpleasant to work in, too much dust will clog the carburetor air filter. If dust is a problem, water your lawn the day before mowing. Mow when the grass dries, and the soil is still moist.

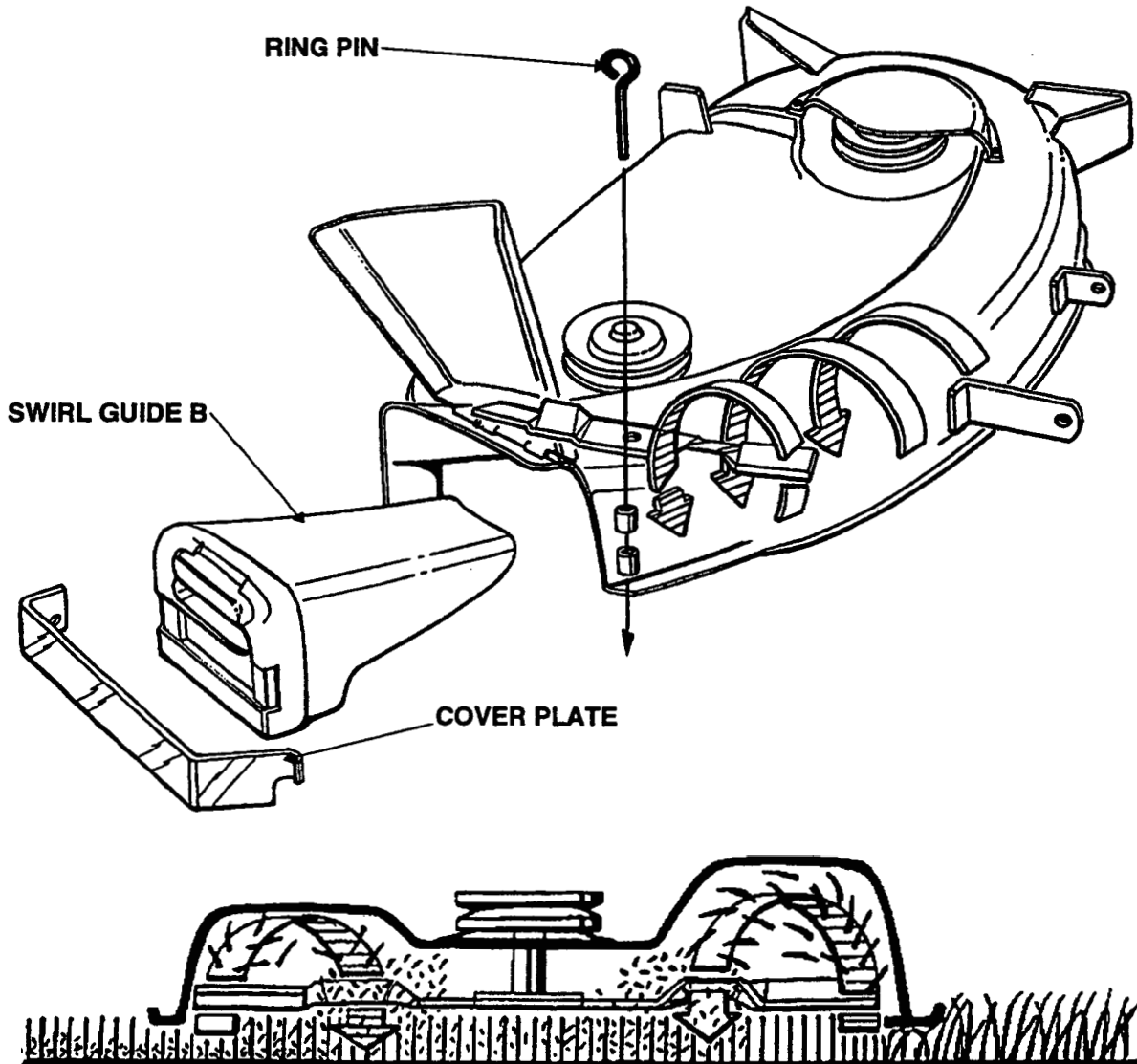
MULCHING

Mulching cuts grass clippings and fallen leaves into fine particles that fall through the turf and decompose quickly. This returns nutrients to the soil and reduces the need for raking, bagging, and disposal.

For best mulching results, mow the lawn frequently, cutting off less than one inch of grass each time. In growing season you will probably need to mow the lawn twice a week.

Heavy layers of leaves may be difficult to mulch. For best results, switch to bagging. Bagged leaves make a good addition to a backyard compost pile.

This mulching kit closes the discharge port in the mower deck which recirculates grass clippings through the special mulching blades. Periodically cleaning the accumulated grass clippings from the mower deck and tractor before using will help promote clipping recirculation.



SIDE DISCHARGE MOWING

Side-discharge mowing should be considered where grass has grown too tall to mulch easily. Side-discharge mowing will leave grass clippings on top of the mowed areas and may need to be removed by raking. Heavy clumps of clippings should always be removed; grass must remain uncovered to grow properly.

For side-discharge mowing, you must remove the mulching cover plate and swirl guide **B**. It is not necessary to remove swirl guide **A**.

⚠ WARNING

Objects hit by blades can be thrown with great force.

Thrown objects can cause serious injury.

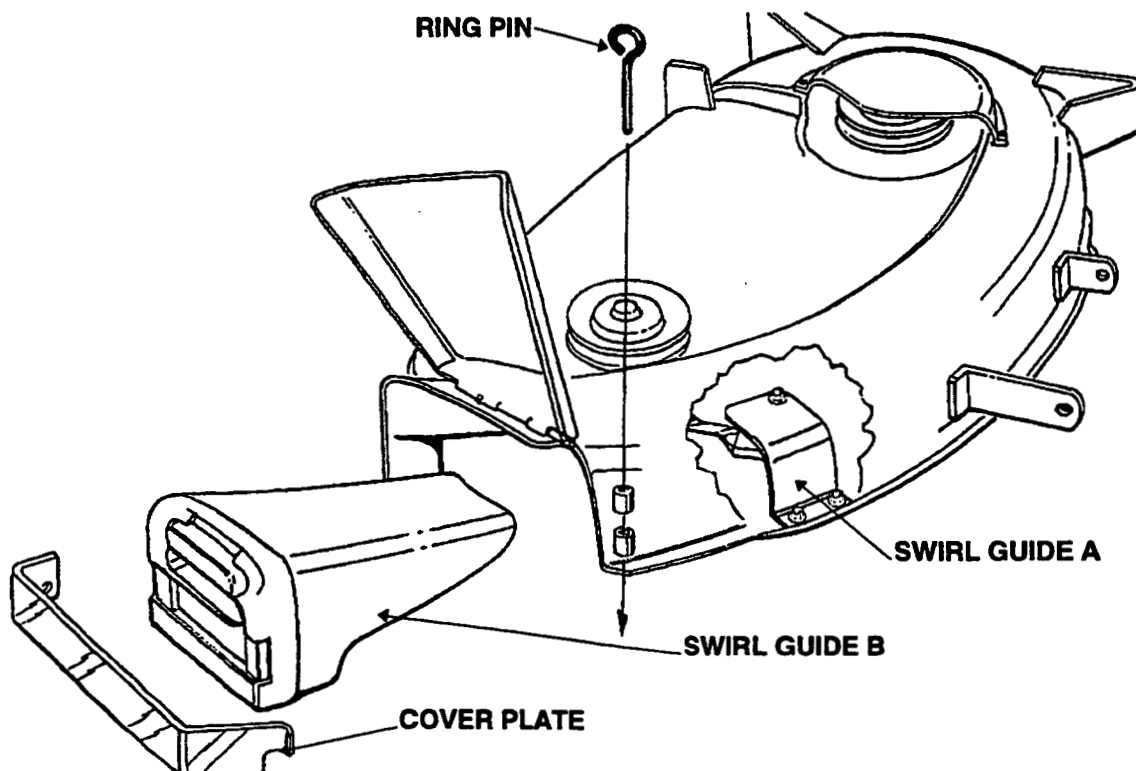
Disengage the Power Take Off (PTO) and stop engine before installing or removing parts.

Conversion for Side-Discharge Mowing:

1. Remove the ring pin and cover plate.
2. Remove swirl guide **B**

Reinstallation of the Mulching Kit:

1. Remove any grass clippings that have accumulated between swirl guide **A** and top of mower deck.
2. Install swirl guide **B**, making sure that the tip of swirl guide **B** fits securely between the top of the mower deck and swirl guide **A**.
3. Reinstall the cover plate and ring pin.



BAGGING

Bagging should be considered for areas where you want the lawn to be clear of loose particles, such as around swimming pools, and for less frequently mowed areas, where grass has grown too tall to mulch easily.

For bagging, you must remove the mulching cover plate and swirl guide **B**, then install the bagging kit. It is not necessary to remove or replace other parts of the mulching kit, but removing swirl guide **A** and installing original blades will increase bagging performance if desired.

⚠ WARNING

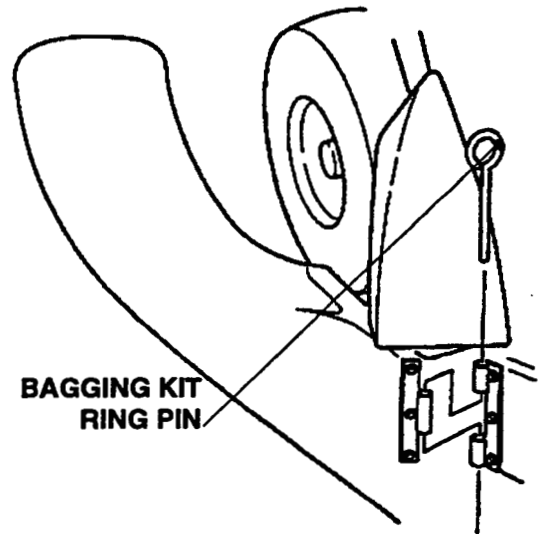
Objects hit by blades can be thrown with great force.

Thrown objects can cause serious injury.

Disengage the Power Take **Off** (PTO) and stop engine before installing or removing parts.

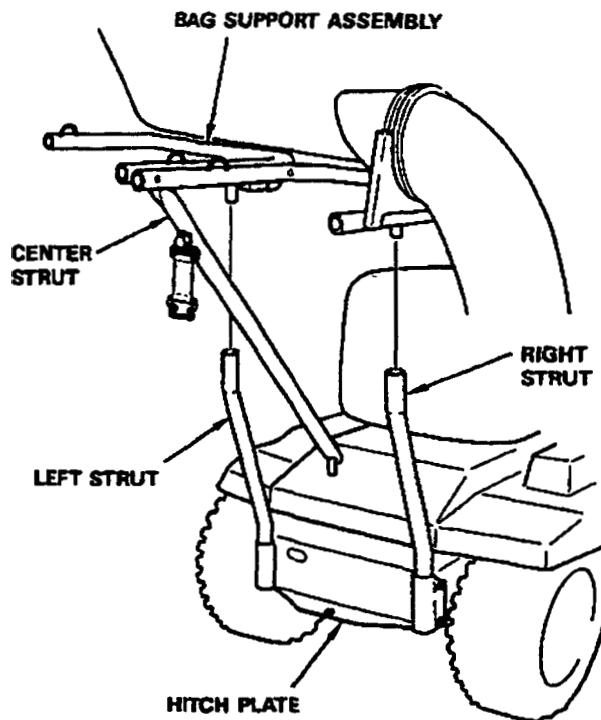
Conversion for Bagging:

1. Remove the ring pin and cover plate.
2. Remove swirl guide **B**.
3. Install the bagging kit lower chute. Use the ring pin supplied with the bagging kit - it is longer than the one supplied with the mulching kit.



MOWING AND MULCHING RECOMMENDATIONS

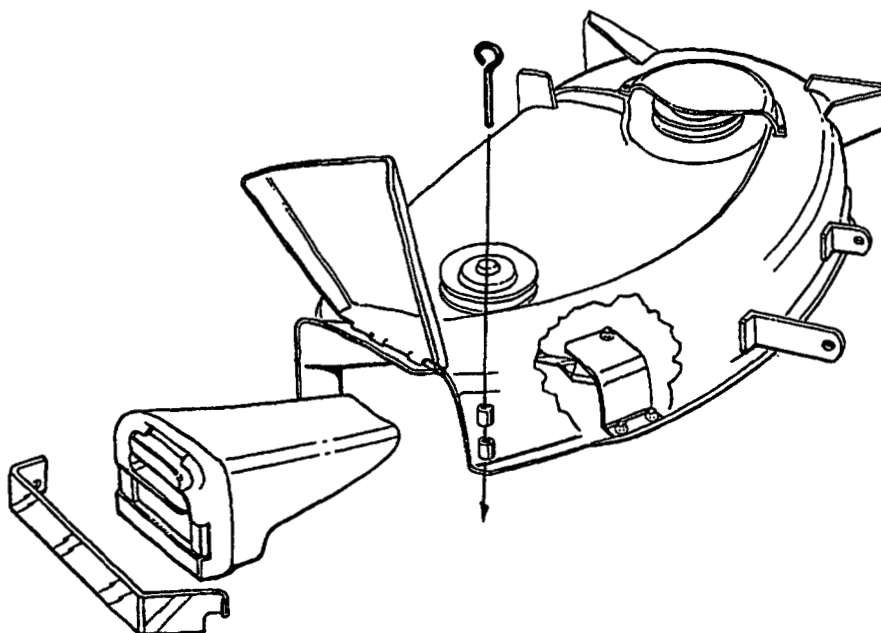
4. Install the bag support assembly on the left and right struts, while inserting the center strut pin in the hitch plate hole.
5. Grasp the upper chute by the chute handle. Raise the upper and middle chutes, then slide the middle chute over the lower chute.
6. Install the grass bags, and secure the hopper top with its retaining band.



Mulching kit reinstallation:

1. Remove the bagging kit in the reverse order of installation.
2. Install swirl guide **A** and the mulching blades if they have been removed.

Install swirl guide **B** and secure with the cover plate and the ring kit supplied with the mulch kit - the ring pin supplied with *the* bagging kit is too long.



4. WARRANTY SERVICE

CUSTOMER SERVICE INFORMATION

Honda Power Equipment dealerships are staffed by trained professionals. They should be able to answer any question you may have. If you encounter a problem that your dealer does not solve to your satisfaction, please discuss it with the dealership's management. Almost all problems are solved in this way.

If you are not satisfied with the decision made by the dealership's management, contact Honda Power Equipment Customer Service Office.

You can write to:

American Honda Motor Co. Inc.,
Power Equipment Division
Customer Relations Office
4900 Marconi Drive
Alpharetta, GA 30005-8847

Or telephone:

(770) 497-6400

When you write **or** call, please give **us** this information:

- Name of the dealer who sold the mulching kit to you.
- Name and address **of** the dealer who services your lawn tractor.
- Date of purchase.
- Your name address and telephone number.
- **A** detailed description of the problem.

H/C 4727947