

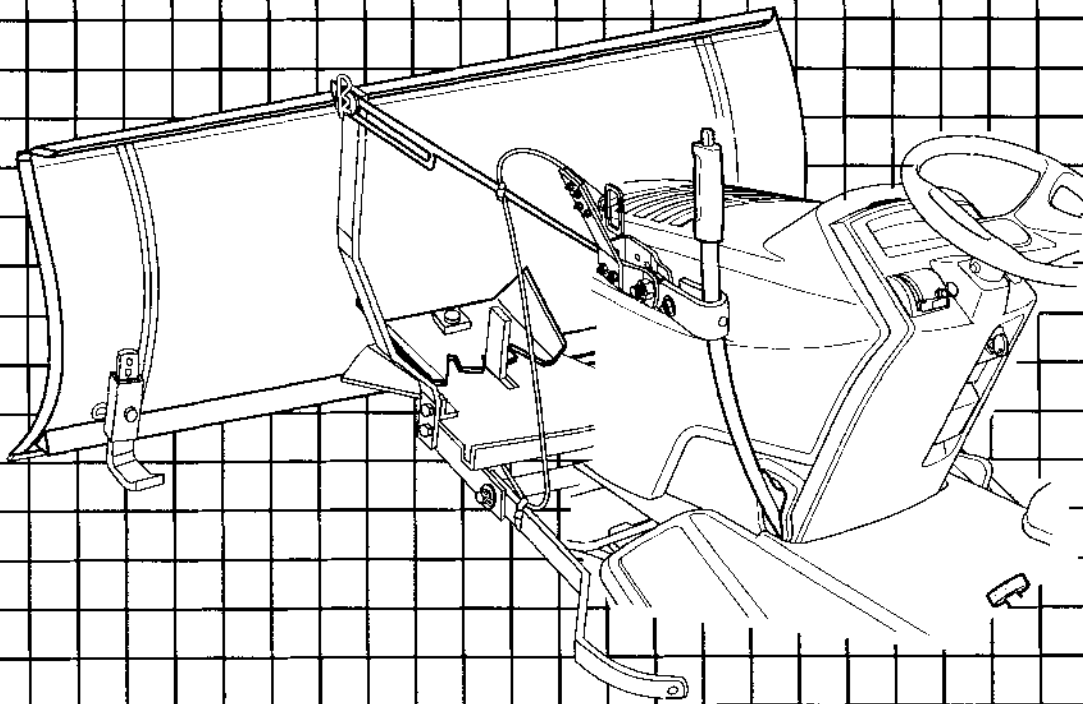
HONDA

Power

Equipment

OPERATOR'S MANUAL

42" DOZER BLADE MODEL DB4142



HONDA DEALER: PLEASE GIVE THIS PUBLICATION TO YOUR CUSTOMER

Thank you for purchasing a Honda DB4142 Dozer Blade for your Honda HA4118H38A • HA4120H48A Lawn Tractor.

This manual covers the operation, maintenance, and installation of the DB4142 dozer blade. For your convenience, this manual also includes a parts description guide, and warranty service information.

Before installing or operating this equipment, read this operator's manual and the owner's manual supplied with the HA4118H38A • HA4120H48A lawn tractor.

As you read this manual, you will find information preceded by a **NOTICE** symbol. That information is intended to help you avoid damage to your dozer blade, other property, or the environment.

The information in this operator's manual is limited in application to the Honda DB4142 when installed and used on a Honda HA4118H38A • HA4120H48A Lawn Tractor.

Left and right sides of this lawn tractor are determined from the operator's position, facing the direction of forward travel.

This manual is a permanent part of the dozer blade and must stay with the dozer blade if resold.

All the information in this publication is based on the latest product information available at the time of printing. American Honda Motor Co., Inc. reserves the right to make changes at any time without notice and without incurring any obligation.

No part of this publication may be reproduced without written permission.


A FEW WORDS ABOUT SAFETY

Your safety and the safety of others are very important. Using this dozer blade is an important responsibility.


To help you make informed decisions about safety, we have provided operating procedures and other information on labels and in this manual. This information alerts you to potential hazards that could hurt you or others.


Of course, it is not practical or possible to warn you about all the hazards associated with operating a dozer blade. You must use your own good judgment.


You will find important safety information in a variety of forms including:

- **Safety Labels** – on the Lawn Tractor and dozer blade.
- **Safety Messages** – preceded by a safety alert symbol  and one of the following three words: DANGER, WARNING, or CAUTION.

These words mean:

 DANGER You WILL be KILLED or SERIOUSLY HURT if you don't follow instructions.

 WARNING You CAN be KILLED or SERIOUSLY HURT if you don't follow instructions.

 CAUTION You CAN be HURT if you don't follow instructions.

- **Safety Headings** – such as IMPORTANT SAFETY INFORMATION.
- **Safety Chapter** – such as DOZER BLADE SAFETY.
- **Instructions** – how to use this dozer blade correctly and safely.

This entire manual is filled with important safety information – please read it carefully.

CONTENTS

SAFETY	2
IMPORTANT SAFETY INFORMATION.....	2
IMPORTANT MESSAGE TO EMPLOYERS	3
SAFETY LABEL LOCATION	3
CONTROLS	4
COMPONENT IDENTIFICATION.....	4
DESCRIPTION OF CONTROLS	5
BEFORE OPERATION	6
GENERAL.....	6
CHECK WORK AREA	6
PROTECTIVE CLOTHING	6
BEFORE EACH USE.....	7
OPERATION	8
SAFETY PRECAUTIONS.....	8
BEFORE OPERATION	10
STARTING/STOPPING	11
INSTALLATION	12
THE IMPORTANCE OF INSTALLATION	12
IMPORTANT SAFETY PRECAUTIONS.....	12
TORQUE VALUES	13
HARDWARE MEASURING CHART.....	13
UNBOXING.....	14
LOOSE PARTS	14
DOZER BLADE ASSEMBLY	15
TRACTOR PREPARATION.....	17
DOZER BLADE INSTALLATION.....	19
FOR FIRST-TIME INSTALLATION.....	21
REMOVAL	22
TRANSPORTING/STORAGE	24
SPECIFICATIONS	25
PARTS	26
ADDITIONAL INFORMATION	27
INFORMATION LABELS	27
OPTIONS.....	27
WARRANTY SERVICE INFORMATION	28

SAFETY

IMPORTANT SAFETY INFORMATION

Most accidents with this product can be prevented if you follow all instructions in this manual, in the lawn tractor owner's manual and on the product. Some of the most common hazards are discussed below, along with the best way to protect yourself and others.

Honda Dozer Blade Usage

Honda dozer blades are designed to give safe and dependable service if operated according to instructions and intended use: Ground leveling, outdoor snow removal and light-duty dirt moving.

Honda dozer blades are intended to be used by an experienced, trained operators familiar with the use of power equipment. Do not allow a child or an inexperienced, untrained operator to use this dozer blade. Operating this equipment requires special effort on your part to ensure your safety and the safety of others. Read and understand the Lawn Tractor owner's manual and this operator's manual.

Clear Area

Be aware of any large obstacles that could damage the blade if impacted at high speed.

Keep people and pets out of the work area. Stop the machine if anyone enters the work area.

IMPORTANT MESSAGE TO EMPLOYERS

As an employer, you have special responsibilities to the people who work for you.

Before you ask anyone to operate this dozer blade, you need to determine whether the person is old enough, large enough, and strong enough to safely handle and control the dozer blade.

If you decide they are, make sure the employee reads and understands all instructions and warnings in the owner's manual, this manual, and on the labels before operating the dozer blade.

Allow adequate time for hands-on training by a qualified instructor, and personally supervise practice sessions until you feel sure the employee is ready to operate the dozer blade.

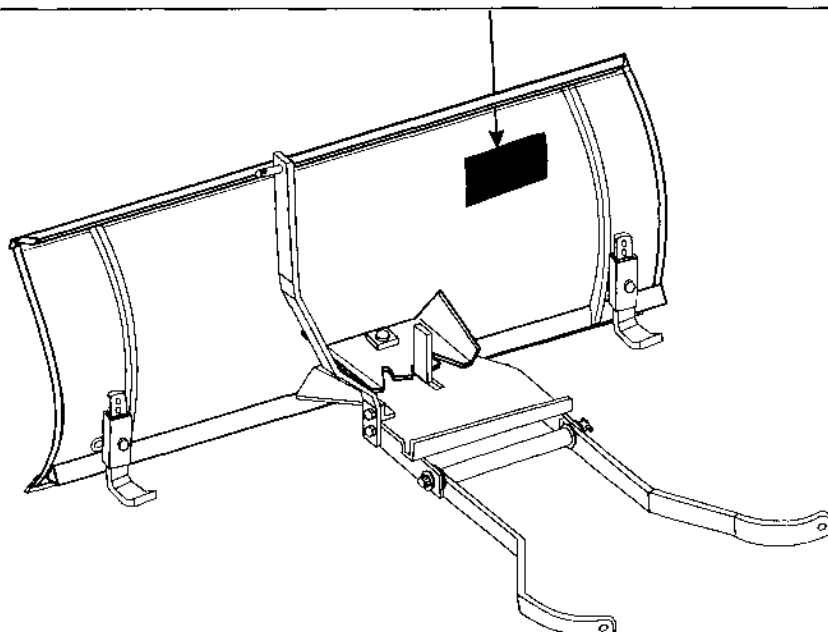
Also be sure employees wear proper clothing and have eye protection and any other gear that may be required by local ordinances or your insurance company.

Remember, too, that you are responsible for keeping the dozer blade properly maintained and in safe operating condition.

Your commitment to safety on the job can help prevent accidents and result in longer and more productive years of service.

SAFETY LABEL LOCATION

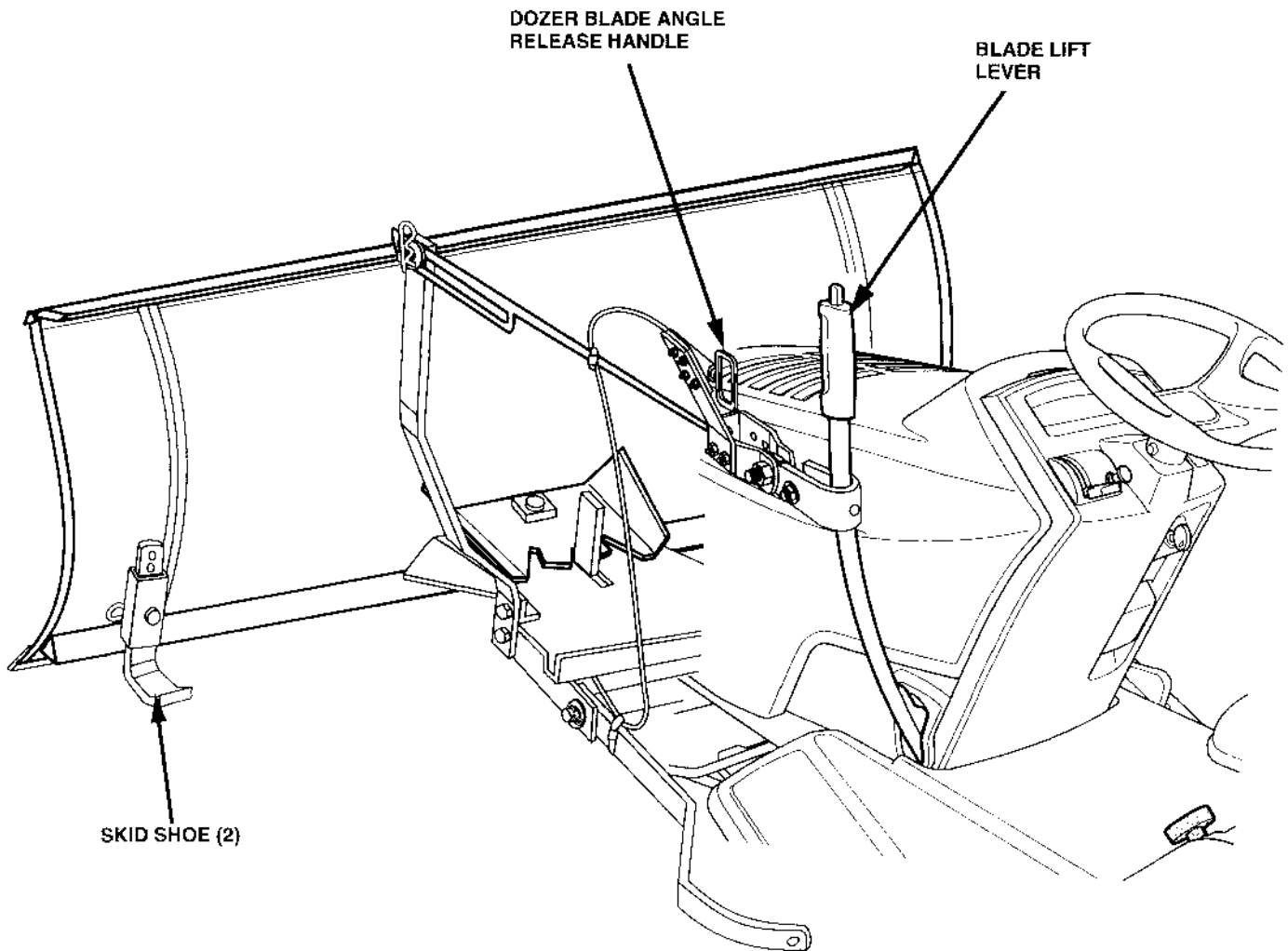
The labels shown here contains important safety information. Please read it carefully. This label is considered a permanent part of your dozer blade. So if the label comes off or becomes hard to read, immediately contact a Honda Lawn Tractor servicing dealer for a replacement label.



CONTROLS

This chapter shows the dozer blade control locations and it tells you how the dozer blade controls work. It only covers controls relating to the dozer blade. Have your Honda Lawn Tractor owner's manual handy for reference while reading this chapter.

COMPONENT IDENTIFICATION

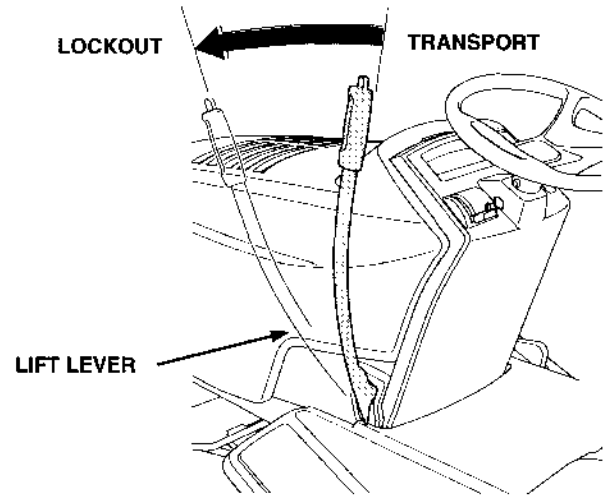


DESCRIPTION OF CONTROLS**Lift Lever**

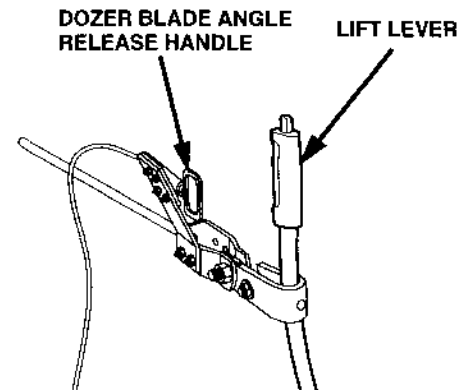
The lift lever has two positions which raise and lower the dozer blade.

Transport position raises dozer blade for transport.

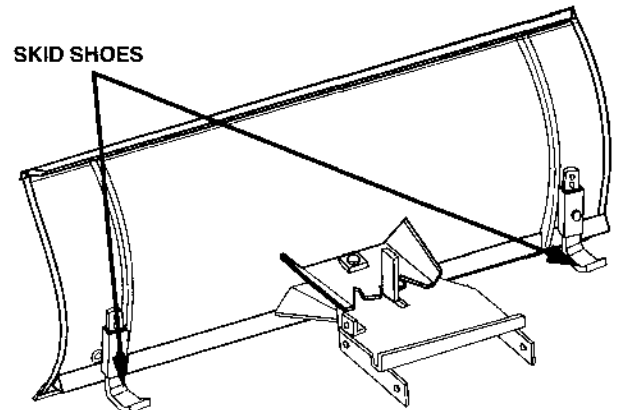
Lockout position lowers dozer blade for operation. This position locks out the lift assist spring and is used when removing, installing and operating the dozer blade.

**Dozer Blade Angle Release Handle**

Pull the release handle to adjust the angle of the blade. There are three positions; straight across, 25° to the left and 25° to the right.

**Skid Shoes**

The skid shoes can be adjusted to control how deep the blade can penetrate the material being moved. There are 8 positions that the skid shoes can be adjusted (see page 12).



BEFORE OPERATION

GENERAL

For proper operation, make sure the two 26 lb counterweights (optional) are installed on the counterweight bracket (optional). Also, make sure the counterweights are secured with the rod and spring clip.

The seat switch is part of the interlock system. If the interlock system is not working properly, repair it before operating the dozer blade.

The engine will shut off if the operator leaves the seat and the speed control pedal is out of neutral position (see the lawn tractor owner's manual).

For your safety, and to prolong the service life of your equipment, always inspect the dozer blade before each use. Refer to Before Each Use on page 7.

If you have the optional tire chains installed, inspect them and make sure they are secure.

Inspect the position of the two skid shoes, and make sure they are properly positioned for conditions. See page 10 for skid shoe adjustment.

Perform the BEFORE OPERATION checks listed in the lawn tractor owner's manual.

It may be necessary to install the chain kit option depending on your operating conditions.

Refer to page 27 of this manual for option details.

CHECK WORK AREA

For your safety and the safety of others, always inspect the area before operating the dozer blade

Objects

Anything which can be picked up by the dozer blade and thrown is a potential hazard to you and others. Always remove any large debris from the work area.

Remove motor vehicles or other objects from the area to prevent them from getting damaged.

People and Pets

People and animals near the work area can move into your path or into a position where they could be struck by thrown objects. Clear the area of pets, people, and especially children. Their safety is your responsibility.

Accidents can occur if the operator is not alert to the presence of children. Children are often attracted to the dozer blade activity. Never assume that children will remain where you last saw them.

Keep children out of the work area and under the watchful eye of another responsible adult.

Be alert and turn off the machine if children enter the area.

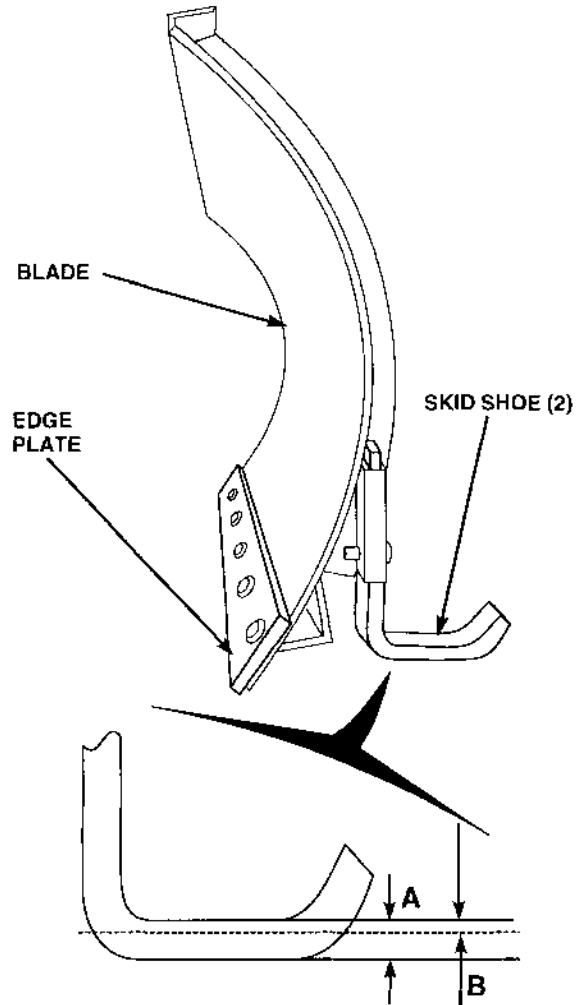
PROTECTIVE CLOTHING

Wearing protective clothing will reduce your risk of injury. Long pants and eye protection will reduce the risk of injuries from thrown objects. Wear hearing protection. Always wear sturdy footwear (preferably steel-toed shoes). Clothing worn by the operator should be fairly tight and belted. Loose clothing should not be permitted because of the danger of getting into moving parts. Tie up or restrain long hair.

Before Each Use

1. Inspect the installation of the blade. Make sure it is properly installed following the INSTALLATION procedures on Page 19.
2. Check the skid shoes for wear. Replace the skid shoes if necessary. Worn skid shoes can allow the edge plate to wear prematurely.

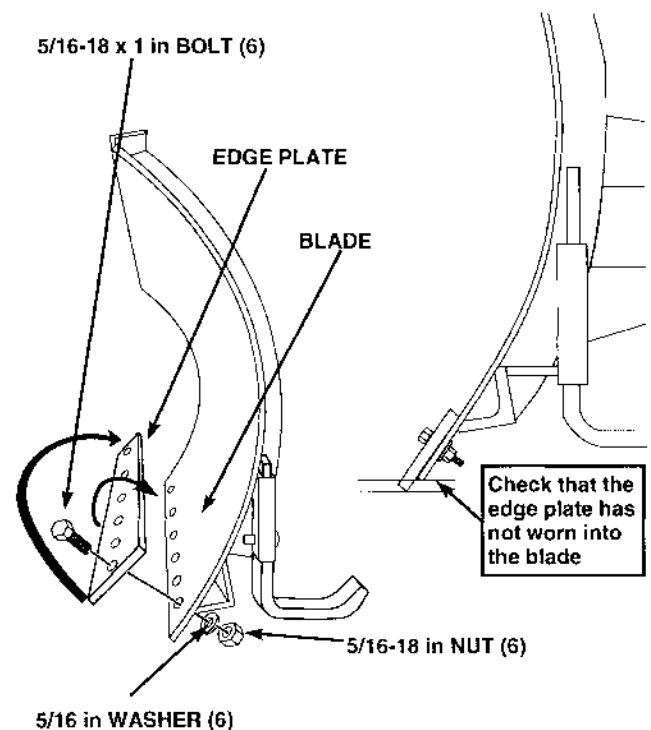
A	SPECIFICATION (new)	0.4 in (10 mm)
B	SERVICE LIMIT	.16 in (4 mm)



3. Check the edge plate for wear. If allowed to wear into the blade, the blade may need to be replaced.

If necessary, the plate edge can be flipped over to provide increased life. This procedure can be performed only once, then replace the plate edge.

- a. Remove the six 5/16-18 inch nuts, 5/16 inch washers and 5/16-18 x 1 inch bolts.
 - b. Flip the edge plate OVER, and END-TO-END as shown.
 - c. Reinstall the edge plate and tighten the 5/16 inch nuts securely.
4. Check that all nuts, bolts, cotter pins and locking pins are secure.



OPERATION

SAFETY PRECAUTIONS

Before operating the dozer blade for the first time, please review the **IMPORTANT SAFETY INFORMATION** beginning on page 2, **LAWN TRACTOR SAFETY** in the Lawn Tractor owner's manual, and the previous chapter, titled **BEFORE OPERATION**.

Even if you have operated other dozer blades, take time to become familiar with how this dozer blade works, and practice in a safe area until you build up your skills.

For your safety, avoid starting or operating the engine in an enclosed area such as a garage. Your lawn tractor engine exhaust contains poisonous carbon monoxide gas which can collect rapidly in an enclosed area and cause illness or death.

The following precautions are suggested to help prevent accidents. A careful operator is the best operator. Most accidents can be avoided by observing certain precautions. Read the following precautions before operating the dozer blade to help prevent accidents.

- Equipment must be operated only by those who are responsible and instructed to do so.
- Never allow children to operate the dozer blade.
- Do not allow anyone to ride on the dozer blade.
- Be aware of the dozer blade angled direction. Do not angle blade at anyone.
- Never leave the engine running unattended. Always shut OFF the engine, remove the ignition key, and wait for all moving parts to stop before leaving the operator's position.
- Be sure the area is clear of other people before operation. Stop the machine if anyone enters the area. Do not operate the dozer blade with children, pets or others nearby.
- Watch out for traffic when operating near or crossing roadways. Slow down before turning and approach blind corners cautiously.
- Always observe the area ahead. Avoid obstacles and stay away from holes, ditches, soft or steep embankments and other potentially dangerous areas.
- If you strike a foreign object, shut off the engine, set the parking brake, and remove the ignition key. Inspect and repair any damage before operating dozer blade again.
- Always use the weight bracket kit and counterweights (purchased separately) for traction and proper balance.
- Always observe the terrain. Watch for and avoid obstacles. Stay away from holes, ditches, soft or steep embankments and other potentially dangerous terrain.
- Wet surfaces reduce traction and stability. Always maintain proper traction. Grip the lawn tractor steering wheel firmly.
- Operate the tractor at low speeds. Be particularly careful in any area where the blade might snag on solid objects and bring the tractor to a sudden stop.

NOTICE

Prevent damage to the dozer blade by removing large foreign objects from the operational area.

- Always remain in the operator's position when operating the dozer blade.

Snow Removal

Never operate the dozer blade without good visibility.

Foreign objects in snow may be thrown farther than the snow itself. Use the slowest ground speed possible to achieve a satisfactory job. Stay aware of the dozer blades angled position.

After stopping the dozer blade in wet freezing conditions, lift the dozer blade off the ground surface to prevent the dozer blade from freezing to the ground.

Slopes

Slopes are a major factor in loss-of-control and tip-over accidents, which can result in severe injury or death. All slopes require extra caution. If you cannot back up the slope or feel uneasy on it, do not operate on a slope.

Remove obstacles such as rocks, tree limbs, etc.

Watch for holes, ruts, or bumps. Uneven terrain could overturn the lawn tractor.

Always remove snow up and down the face of slopes, never across slopes. Do not operate near drop-offs, ditches, or embankments. The lawn tractor could suddenly overturn if a wheel goes over the edge of a cliff or ditch, or if an edge caves in.

Always use counterweights for stability and traction.

Do not turn on slopes unless necessary, and then raise the dozer blade, then turn slowly and gradually downhill.

Do not start or stop suddenly when going up or down a slope. Keep all movement on slopes slow and gradual. Do not make any sudden changes in speed or direction.

If the machine is unable to continue moving uphill, check the area on the ground immediately behind the machine, watch the area to the rear, and proceed backward slowly.

Do not operate dozer blade on steep slopes where there is a risk of overturning. Do not operate the lawn tractor on slopes greater than 10°. Use a slope gauge to check the slope if you are not sure.

Use extra care when using this attachment. The extra weight can change the stability of the lawn tractor.

Do not try to stabilize the dozer blade by putting your foot on the ground.

Do not park the machine on a hill.

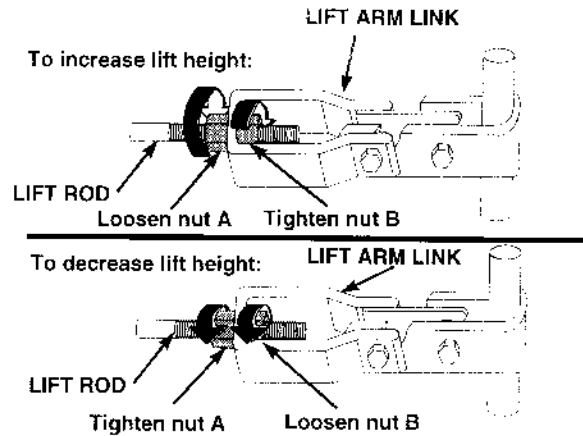
OPERATION

BEFORE OPERATION

Adjusting Blade Lift

Before adjusting the blade lift, set the tractor on a level surface and lock the parking brake. Stop the engine and remove the ignition key.

1. Lower the blade to the ground.
2. To increase the lift height, loosen nut A, and tighten nut B.
3. To decrease the lift height, loosen nut B and tighten nut A.
4. After adjusting, tighten both nuts against the lift arm link.
5. Lift the blade to check the adjustment.
6. Repeat above steps, if necessary.
7. To obtain the maximum blade lift, adjust the lift rod length so that the up-stop contacts the frame brackets when the blade is in the raised position.



Skid Shoe Adjustment

Adjust the skid shoes for the type of work to be performed.

Grading

When using the blade for leveling and grading jobs, set the skid shoes so that the blade is in contact with the ground.

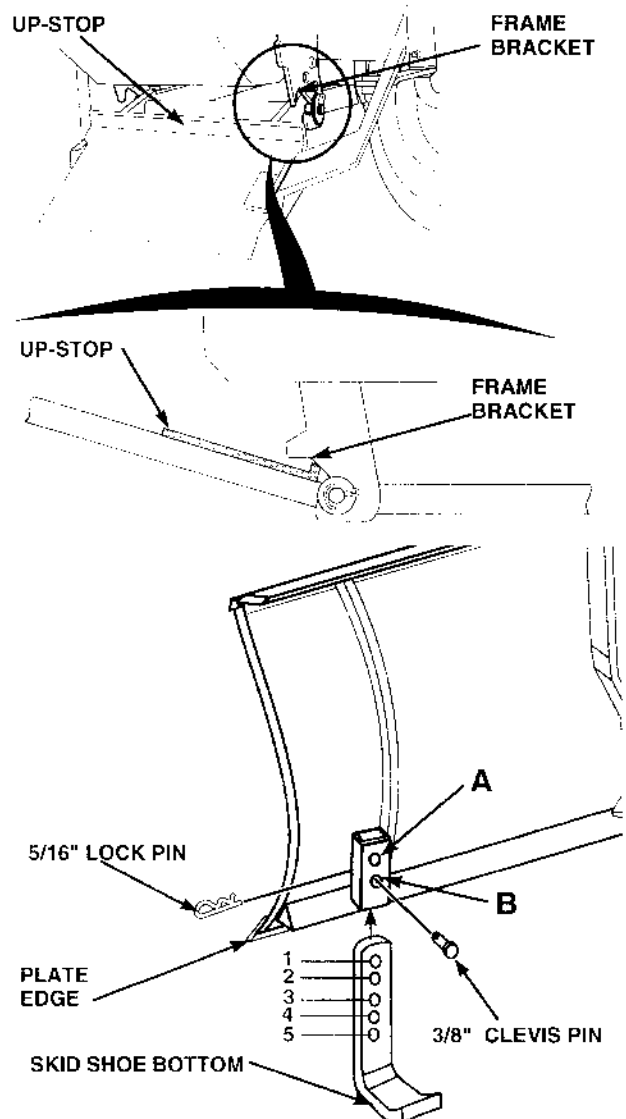
Snow Removal

When clearing snow on a paved surface, set the skid shoes to allow approximately 1/4" of clearance between the blade and the pavement.

On gravel surface 1/2" to 3/4" of clearance depending on the size of gravel.

On rock surface, adjust for the largest rock that the blade should be expected to clear.

1. Raise the blade up off the ground.
2. Remove the 5/16" lock pin and the 3/8" clevis pin.
3. Set the skid shoe to provide the proper clearance between the plate edge and the bottom of the skid shoe.



Position	Clearance	Position	Clearance
B1	1.25 in	B4	-.25 in
B2	.75 in	A2	-.50
B3	.25 in	B5	-.75 in
A1	0	A3	-1.00 in

Adjusting Blade Angle

Put the blade at an angle when clearing snow or light material. This will decrease the amount of power needed to move the material, and decrease rear wheel slippage.

1. There are three blade positions. Straight across, 25° to the left and 25° to the right.
2. Pull the blade angling handle.
3. If you want to set the blade 25° to the left, start driving slightly to the right. Once the blade starts to move to the left, release the blade angling handle. Continue until the blade locks in place.
4. If you want to set the blade 25° to the right, start driving slightly to the left. Once the blade starts to move to the right, release the blade angling handle. Continue until the blade locks in place.

Lift Lever

There are two positions to set the lift lever.

TRANSPORT - raises the blade for transport.

LOCKOUT - This position locks the blade in the down position.

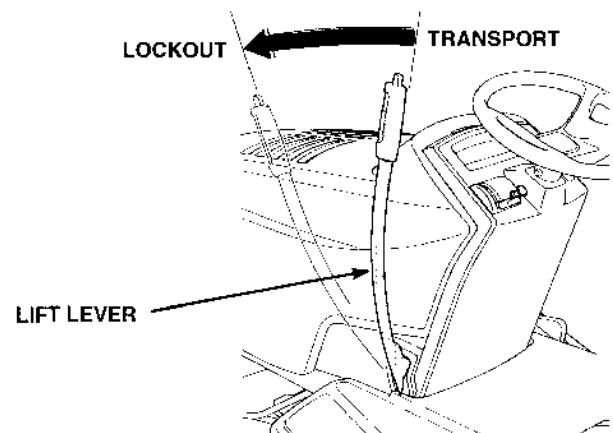
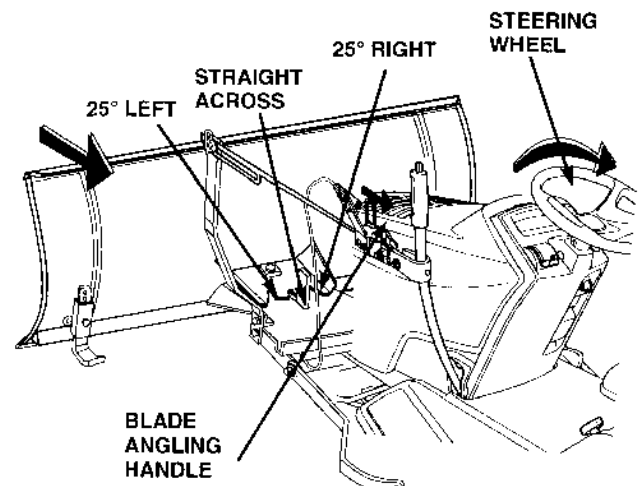
Starting

Read the lawn tractor owner's manual carefully. Be thoroughly familiar with the controls and proper use of the lawn tractor. Know how to stop the lawn tractor and disengage the controls quickly.

Refer to the lawn tractor owner's manual for detailed instructions on starting the engine and parking the lawn tractor.

1. Pull the lift lever to the transport position.
2. Start the engine.
3. Drive to the work area with the blade raised.
4. Move the throttle lever to the FAST position.
5. Adjust the lawn tractor ground speed as needed. Use the travel pedal to change ground speed, never the throttle. For best performance, a lower ground speed should be used.
6. Move the lift lever to the LOCKOUT position.
7. Angle the blade as necessary for the type or work being performed.

To angle the blade to the left:



Stopping

Refer to the lawn tractor owner's manual for detailed instructions on stopping the engine and parking the lawn tractor.

Before leaving the operator's position or leaving the machine unattended:

1. Bring the lawn tractor to a complete stop.
2. Lower the dozer blade all the way down.
3. Set the parking brake ON.
4. Shut off the engine and remove the ignition key.

INSTALLATION

THE IMPORTANCE OF PROPER INSTALLATION

Proper installation is essential to operator safety and the reliability of the machine. Any error or oversight made by the technician assembling and servicing a unit can easily result in faulty operation, damage to the machine, or injury to the operator.

WARNING

Improper service can cause an unsafe condition that can lead to serious injury or death.

Follow the procedures and precautions in installation instructions and shop manuals carefully.

Some of the most important safety precautions are given below. However, we cannot warn you of every conceivable hazard that can arise in performing this installation. Only you can decide whether or not you should perform a given task.

WARNING

Failure to properly follow installation instructions and precautions can cause you to be seriously hurt or killed.

Follow the procedures and precautions in installation instructions carefully.

IMPORTANT SAFETY PRECAUTIONS

- Make sure you have a clear understanding of all basic shop safety practices and that you are wearing appropriate clothing and safety equipment. When performing this installation, be especially careful of the following:
 - Read the instructions before you begin and be sure you have the tools and skills required to perform the tasks safely.
- Make sure the engine is off before you begin any maintenance or repairs. This will help eliminate several potential hazards:
 - Carbon monoxide poisoning from engine exhaust.**
Be sure there is adequate ventilation whenever you run the engine.
 - Burns from hot parts.**
Let the engine and exhaust system cool before touching.
 - Injury from moving parts.**
Do not run the engine unless the instruction tells you to do so. Even then, keep your hands, fingers, and clothing away. Do not run the engine when any protective guard or shield is removed.
- To reduce the possibility of a fire or explosion, be careful when working around gasoline or batteries. Use only a nonflammable solvent, not gasoline, to clean parts. Keep all cigarettes, sparks, and flames away from the battery and all fuel-related parts.

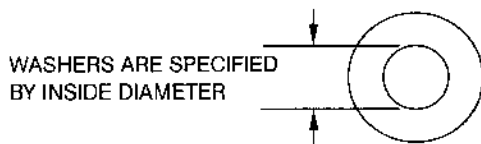
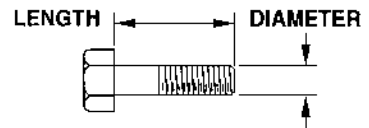
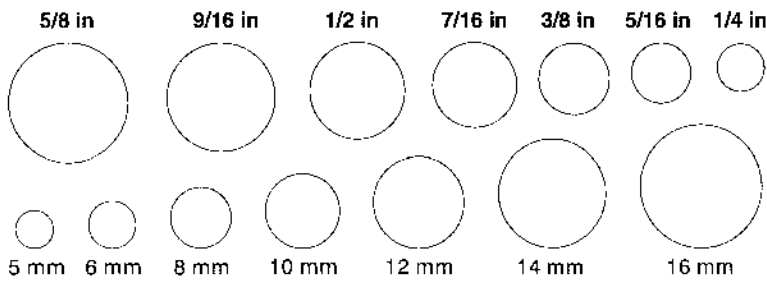
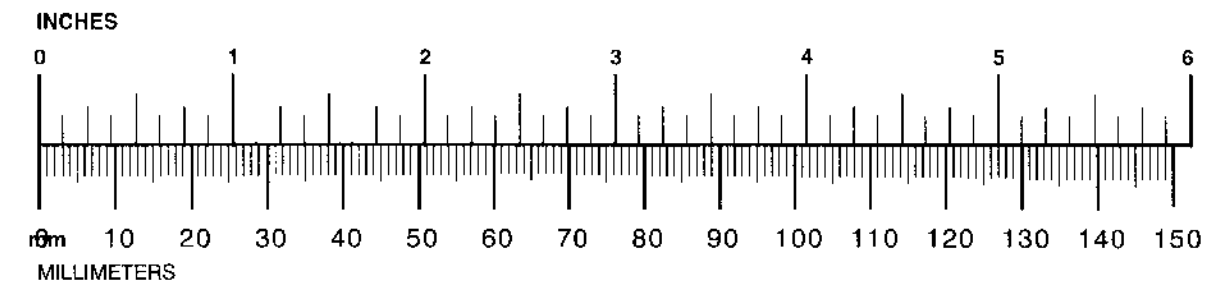
INSTALLATION

TORQUE VALUES

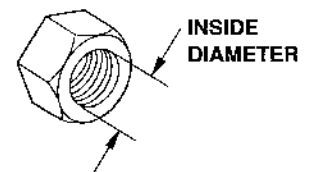
American bolt diameter and thread size	Torque Values	
	ft-lb	N·m
1/4 inch - 20	8	10.8
5/16 inch - 18	12	16.3
3/8 inch - 16	22	29.8
7/16 inch - 13	33	44
1/2 inch - 13	76	103
Metric bolt diameter		
8 mm	15.9	22
10 mm	25.3	35

HARDWARE MEASURING CHART

How to measure hardware and components:



NUTS ARE SPECIFIED BY INSIDE DIAMETER (AT THREAD DEPTH)



INSTALLATION

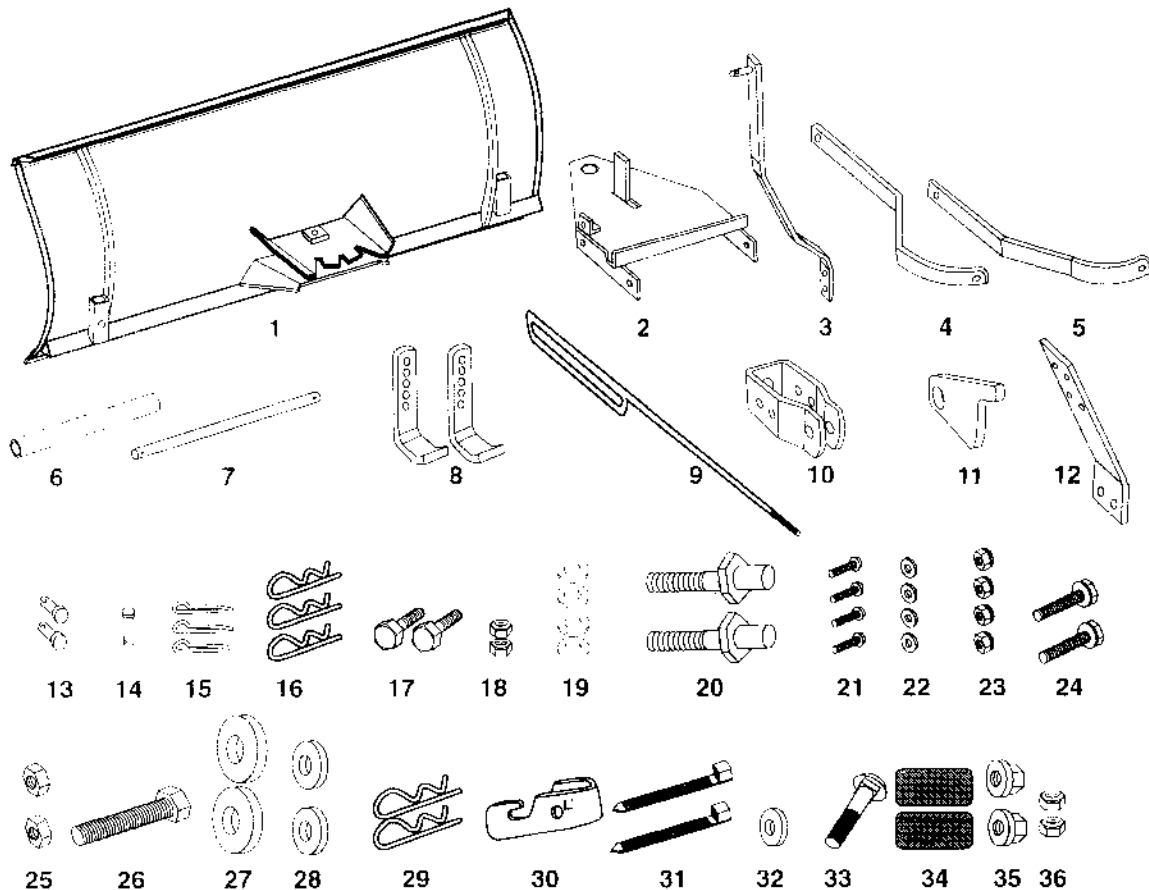
UNBOXING

Remove the contents from the box.

LOOSE PARTS

Check all loose parts against the following list.

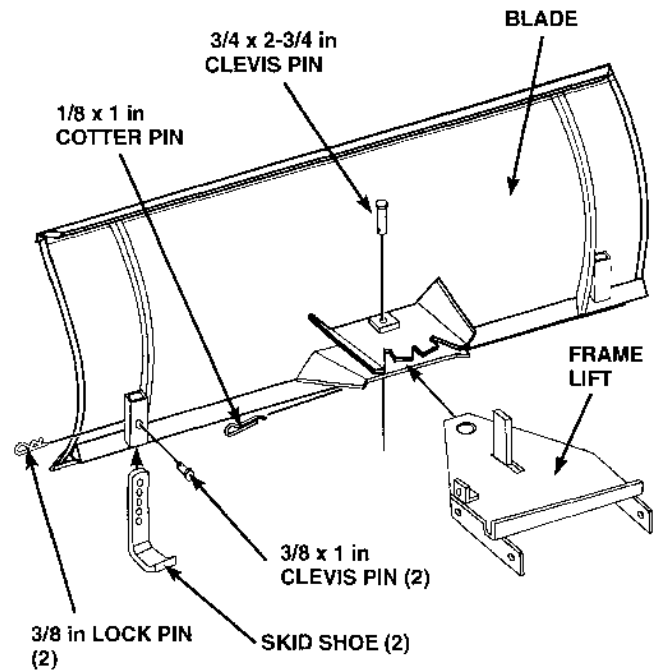
Ref. No	Description	Qty.	Ref. No	Description	Qty.
1	Blade Comp., Dozer 42"	1	19	Washer, 1/2"	4
2	Frame Comp., Lift	1	20	Stud, Mounting	2
3	Arm Comp., Lift	1	21	Screw, Pan, 10-24 x 5/8"	4
4	Rail, LH Subframe	1	22	Washer, #10	4
5	Rail, RH Subframe	1	23	Self locking nut, 10-24	4
6	Collar, Tube	1	24	Hex Bolt, 1/4-20 x 3/4"	2
7	Pin, Mounting, 1/2 x 12"	1	25	Locking Nut, 1/4-20	2
8	Plate, Skid	2	26	Bolt, 5/16-18 x 1-1/2"	1
9	Rod, Lift Arm	1	27	Washer, Special	2
10	Link, Lift Arm	1	28	Washer 5/8"	2
11	Lock, Lift Arm	1	29	Lock, Pin, 5/8"	2
12	Plate, Cable Mounting	1	30	Latch, Lift Arm	1
13	Clevis pin, 3/8 x 1	2	31	Tie Strap	2
14	Clevis pin, 3/4 x 2-3/4"	1	32	Washer, 3/8"	1
15	Cotter pin, 1/8 x 1"	3	33	Bolt, Carriage, 5/16-18 x 2"	1
16	Lock Pin 3/8"	3	34	Reflector, Rear	2
17	Hex Bolt, 3/8-16 x 1-1/4"	2	35	Nut, Lock, 5/16-18"	2
18	Nut, 3/8-16	2	36	Nut, Lock, 3/8-16"	2



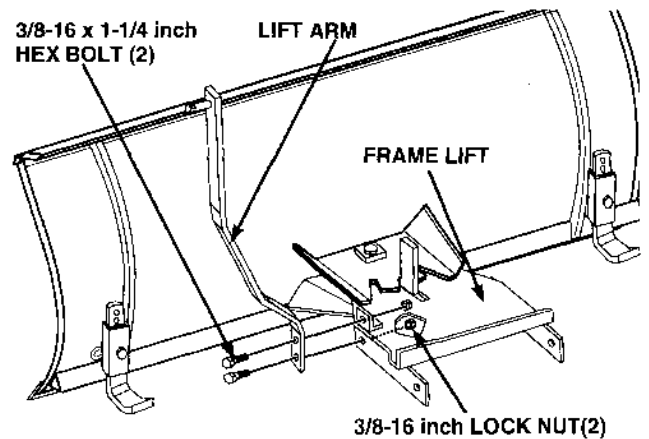
INSTALLATION

DOZER BLADE ASSEMBLY

1. Install the lift frame to the blade.
2. Secure with the 3/4 x 2-3/4 inch clevis pin and 1/8 x 1 inch cotter pin (bend over cotter pin ends).
3. Install the skid shoes as shown, and retain with a 3/8 x 1 inch clevis pin and 3/8 inch lock pin.

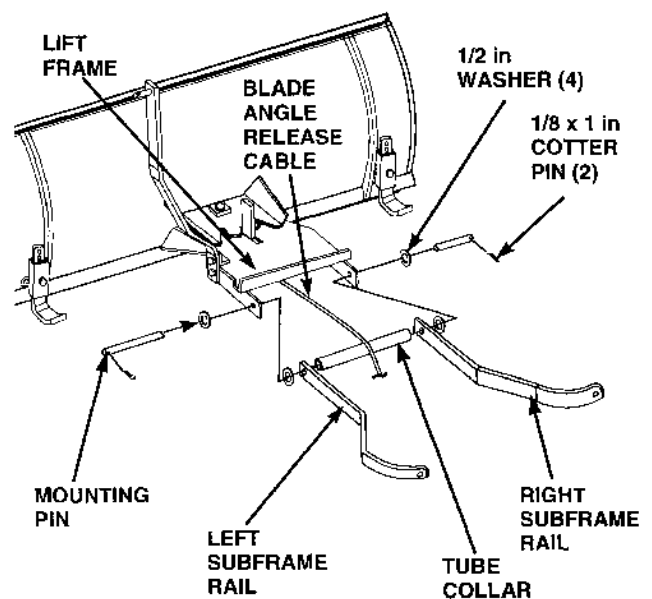


4. Install the lift arm to the frame lift using two 3/8-16 x 1-1/4 inch hex bolts and two 3/8-16 inch locknuts.



5. Assemble the left and right subframe rails to the lift frame with the tube collar, mounting pin, 1/2 inch washers and 1/8 x 1 inch cotter pins as shown.

Make sure the blade angle release cable goes over the tube collar.



INSTALLATION

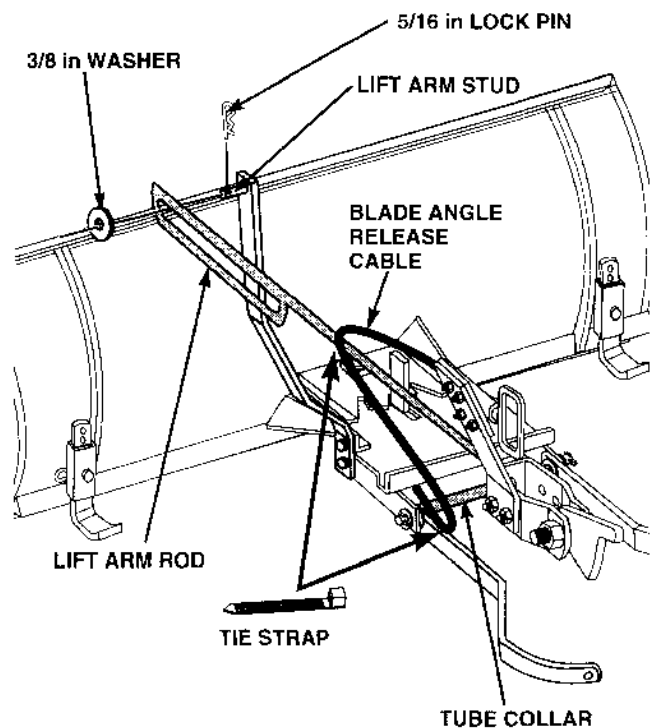
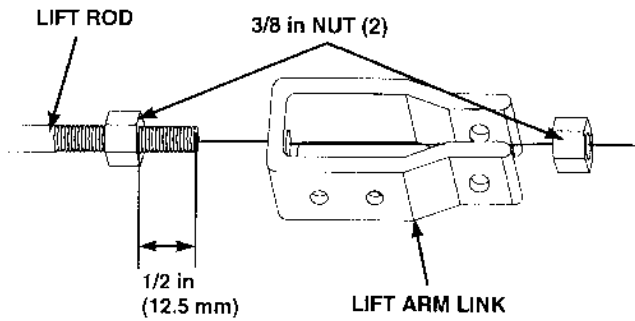
6. Assemble the lift arm rod.
 - a. Thread a 3/8 inch nut onto the lift rod until the nut is 1/2 inch from the end of the rod.
 - b. Install the lift arm link and another 3/8 inch nut.
 - c. Tighten the nuts.

Adjustment of the lift arm link may be required. See page 10 for adjustment procedures.

7. Install the lift arm lock to the lift arm link using the 5/16-18 x 1-1/2 inch bolt and 5/16 inch nut. Make sure the lift arm lock is to the inside of the lift arm link.

Do not tighten the 5/16 inch nut at this time. Refer to page 20 for tightening procedure.

8. Install the blade angle release cable mounting plate on the lift arm link using the two 1/4-20 x 3/4 inch bolt and four 1/4 inch lock nuts.
9. Install the blade angle release cable to the mounting plate using the four #10 pan screws, washers and locking nuts.
10. Install the lift arm rod on the lift arm stud.
11. Slide the 3/8 inch washer on the lift arm stud and fasten with the 5/16 inch lock pin.
12. Verify that the blade angle release cable is routed over the tube collar as shown (see page 15). Loosely secure the blade angle release cable with the two cable ties as shown.
 - a. Install a cable tie to loosely secure the blade angle release cable to the lift arm rod.
 - b. Install a cable tie to loosely secure the blade angle release cable to the left subframe rail.



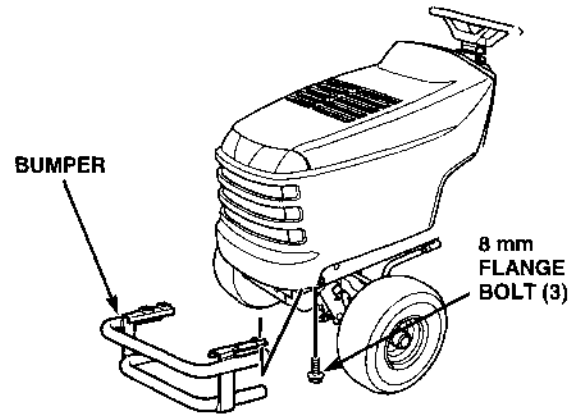
INSTALLATION

TRACTOR PREPARATION

Proper counterweighting is required for safe operation of this tractor with the dozer blade installed.

RWK4100 rear weight kit and two 26 lb suitcase weights are required. Use of tire chains is also recommended for snow removal. The weight kit and weights are sold separately and can be purchased from your Honda Lawn Tractor dealer.

1. Remove the bumper by removing the three 8 mm flange bolts securing bumper to tractor frame. Keep the four bolts with the bumper.
Do not necessary to remove the muffler guard.



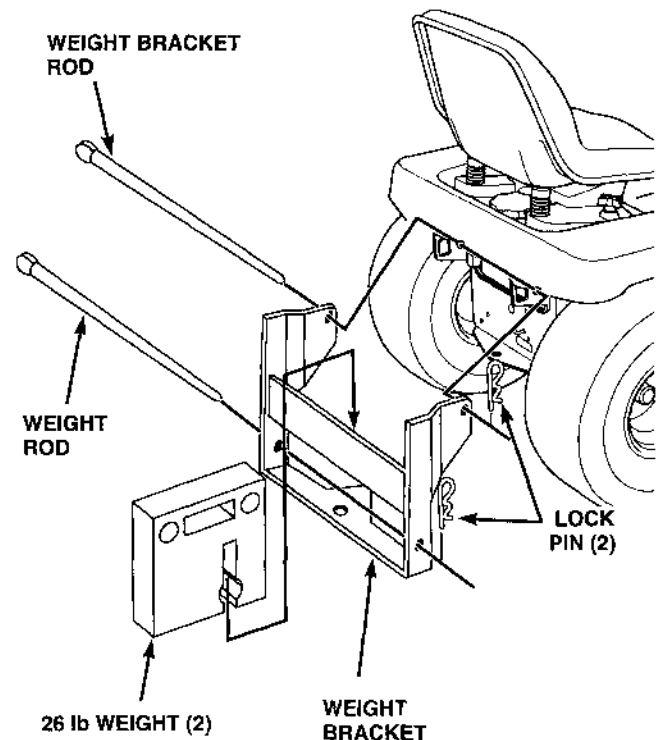
2. Install tire chains if necessary.
3. Set tire air pressures. With the dozer blade installed, higher tire air pressures are recommended due to increased gross vehicle weight.

Front Tire: 10 psi

Rear Tire: 8 psi

4. Remove mower deck. Refer to the HA4118H38A • HA4120H48A Lawn Tractor Owner's Manual for detailed step-by-step mower deck removal procedure. Retain drive belt with mower deck. For removal of other attachments, refer to their respective operator's manual.

5. Install the counterweight bracket.
 - a. Install the counterweight bracket on the rear of the lawn tractor frame using the weight bracket rod as shown.
 - b. Install a lock pin to retain the weight bracket rod
 - c. Hang two 26 lb counterweights on the weight bracket.

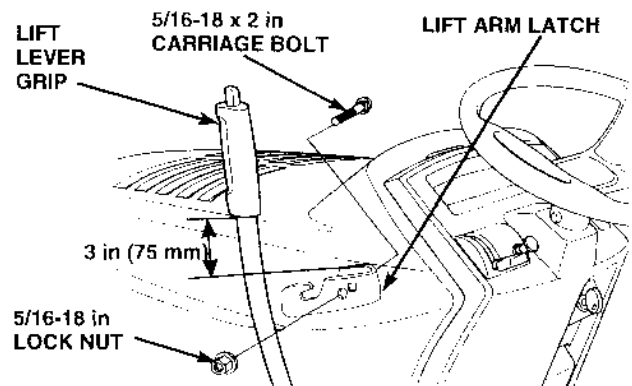


- d. Secure the weights to the the weight bracket using the weight rod.
- e. Install a lock pin to retain the weight rod.

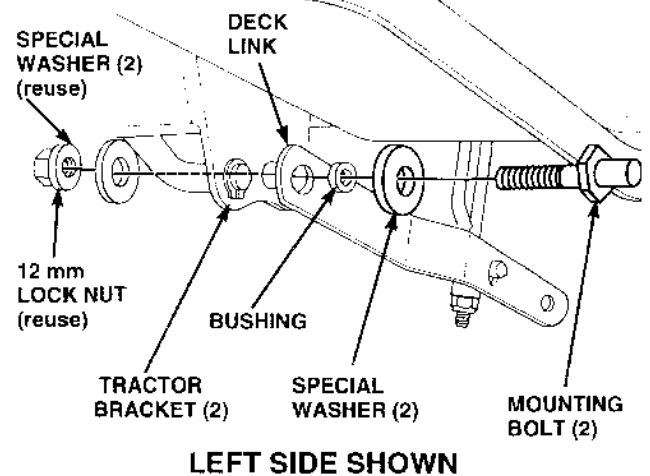
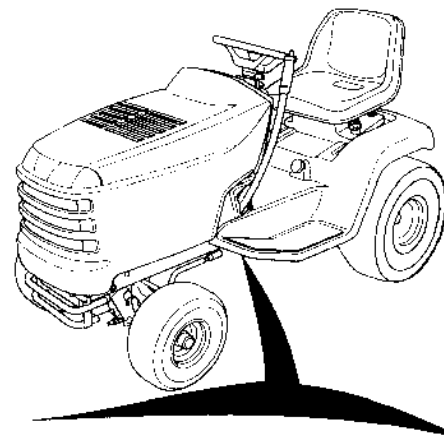
The counterweight bracket kit and counterweights must be purchased separately.

INSTALLATION

6. Install the lift arm latch (hook to the outside) 3" (75 mm) from the bottom of the lift lever grip as shown.
7. Secure the lift arm latch using the 5/16-18 x 2 inch carriage bolt and 5/16-18 inch lock nut.



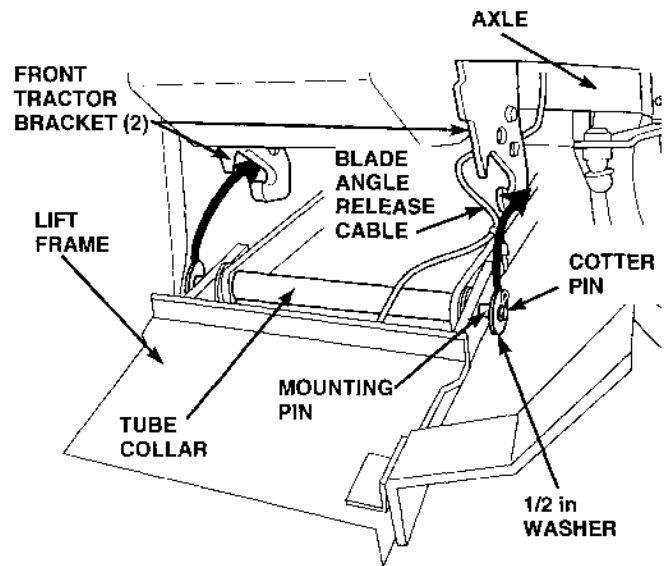
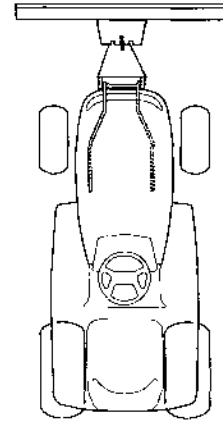
8. Remove the nut, special washer, and bolt that holds the deck link to the tractor bracket. Retain the special washer and nut. Keep the bushing in the deck link.
9. Install special washer on the mounting bolt.
10. Install the mounting bolt through the bushing, draft arm and bracket.
11. Install the 12 mm hex nut and washer removed in step 9 and tighten securely.
12. Repeat steps #9 - #12 on the other side.



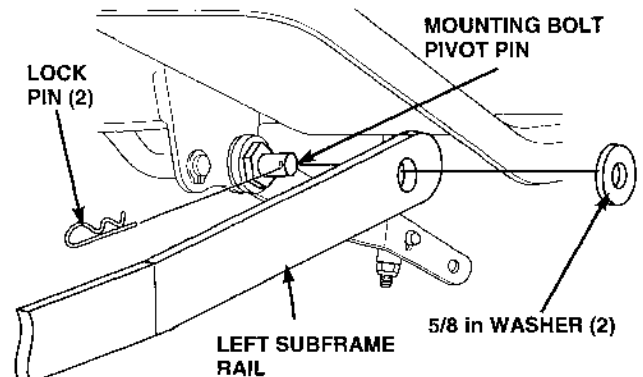
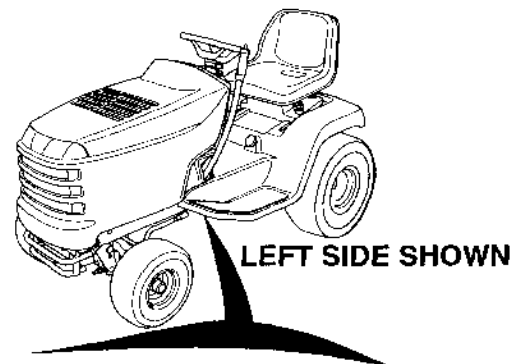
INSTALLATION

DOZER BLADE INSTALLATION

1. Move the tractor in alignment with the blade.
2. Park the tractor safely (refer to the tractor's owner's manual).
3. Install the frame lift assembly on the front tractor brackets.
 - a. Slide the two 1/2 inch washers on the mounting pin close to the cotter pin on each end of the mounting pin.
 - b. Install the mounting pin in slot of tractor bracket on each side of tractor. Make sure the washer and cotter pin on each end of front mounting pin are to the outside of each front tractor bracket.
 - c. Verify that the blade angle release cable is over the tube collar, and runs between the front tractor bracket and axle.



4. Fasten the subframe rails to the middle tractor brackets.
 - a. Install the left subframe rail on the mounting bolt pivot pin.
 - b. Install a 5/8 inch washer.
 - c. Secure with a lock pin.
 - d. Repeat the above procedure to the right side.

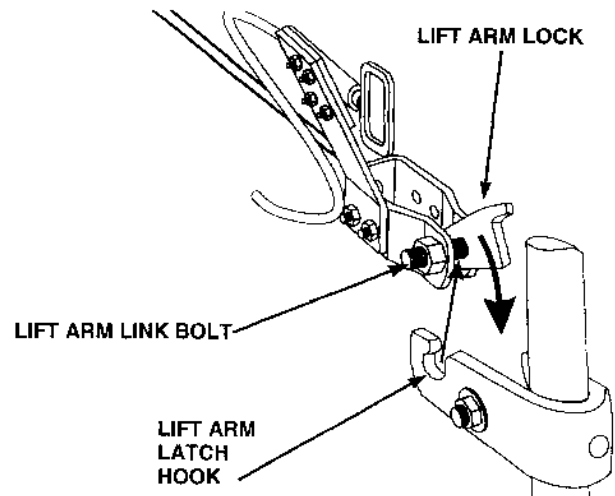


INSTALLATION

5. Install the lift arm link bolt in the hook of the lift arm latch.

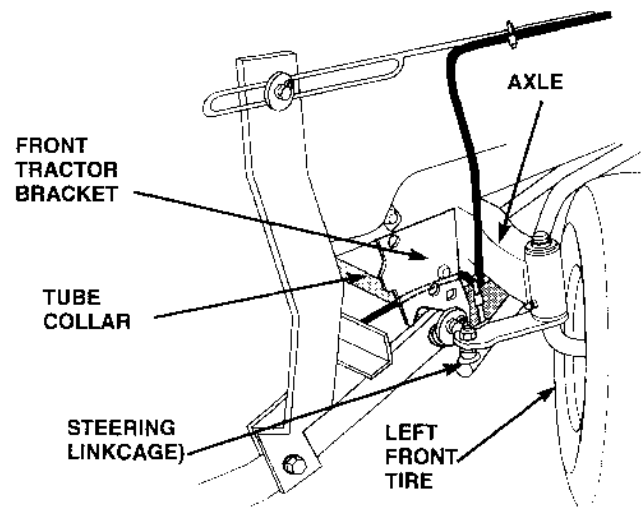
Make sure the lift arm lock is to the inside of the lift arm latch.

6. Pivot the lift arm lock to the rear to rest on lift arm latch bolt.



7. Verify that the blade angle release cable is routed over the tube collar, and between the front tractor bracket and axle as shown.

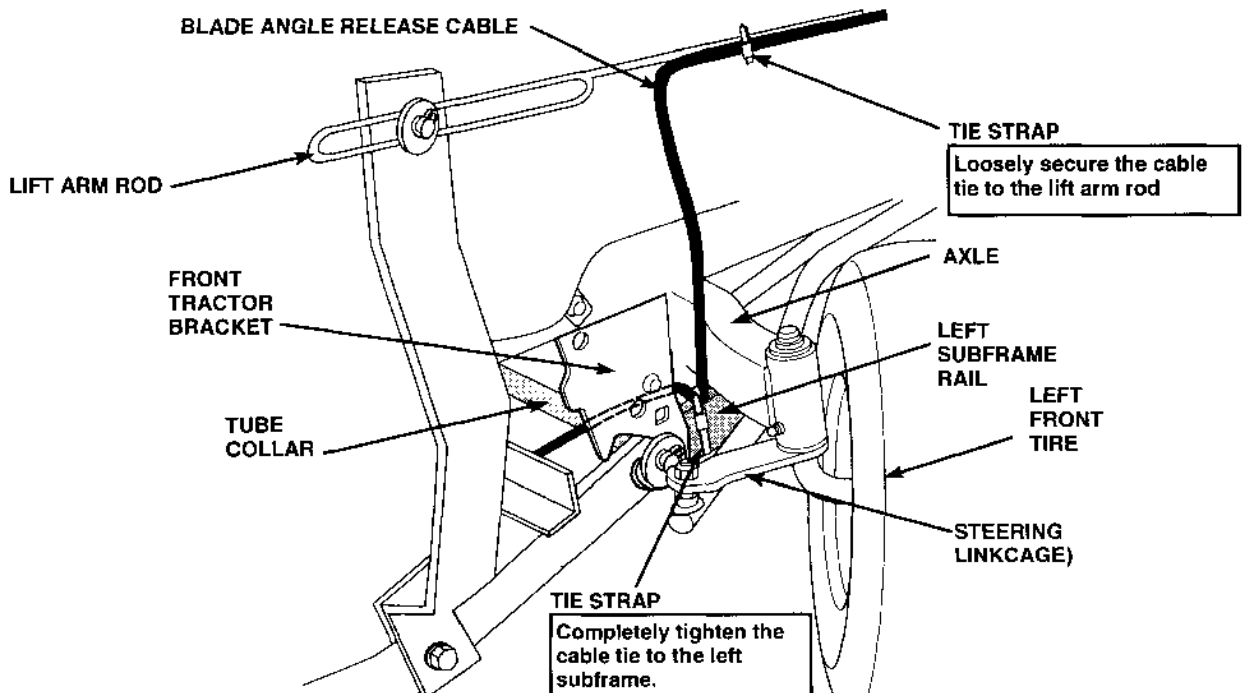
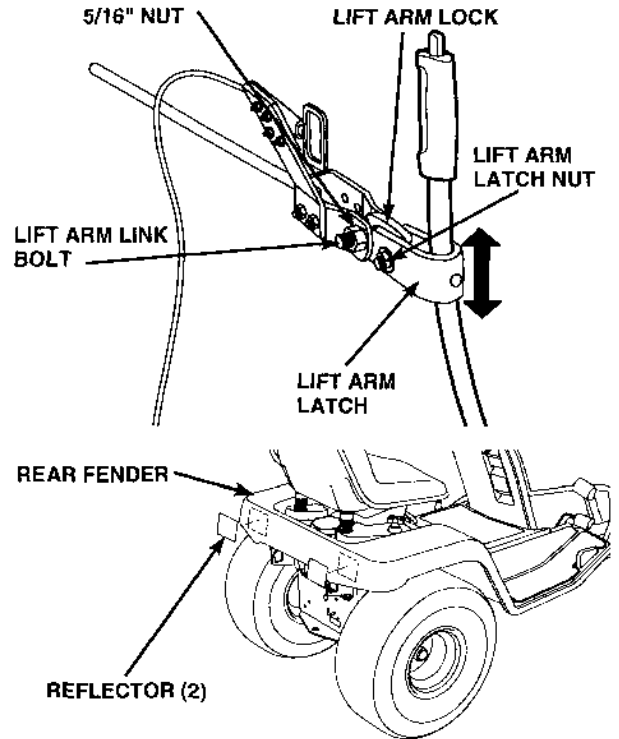
Verify that the blade angle release cable does not interfere with the left front tire or the steering linkage. Reposition the cable as necessary.



INSTALLATION

For first-time installation:

1. Tighten the 5/16" nut on the lift arm link bolt until the clearance between the lift arm lock and lift arm latch hook has been removed, but the lift arm lock can still be rotated.
2. If necessary; loosen the lift arm latch nut and move the lift arm latch so the lift arm link bolt fits in the lift arm latch hook easily. Tighten the lift arm latch nut nut securely.
3. Install the reflectors.
 - a. Clean the rear fenders where the reflectors are to be installed.
 - b. Remove the protective backing from the two reflectors and press them firmly onto the rear fender as shown.
4. Secure the blade angle release cable by tightening the two cable ties.
 - a. Verify that the blade angle release cable is routed over the collar tube, and between the front tractor bracket and axle as shown.
 - b. Verify that the blade angle release cable does not interfere with the left front tire or the steering linkage. Reposition the cable as necessary.
 - c. Keep the cable tie securing the blade angle release cable to the lift arm rod loose. This allows proper movement of the cable when the blade is raised and lowered.
 - d. Completely tighten the cable tie securing the blade angle release cable to the left subframe rail.

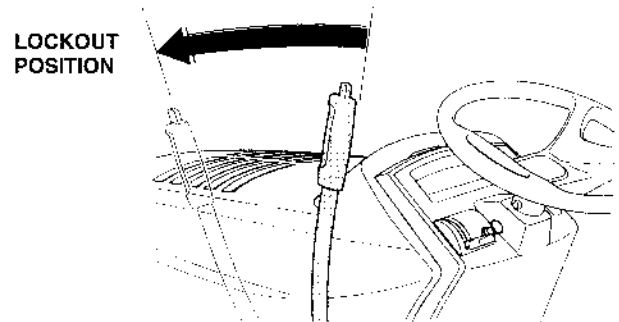


REMOVAL

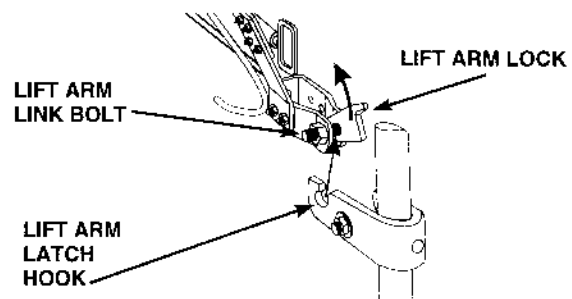
Park lawn tractor safely on a flat, level surface. Turn the engine OFF, remove the ignition key and set the parking brake ON. Disconnect the spark plug caps.

Put blocks or a board under the dozer blade.

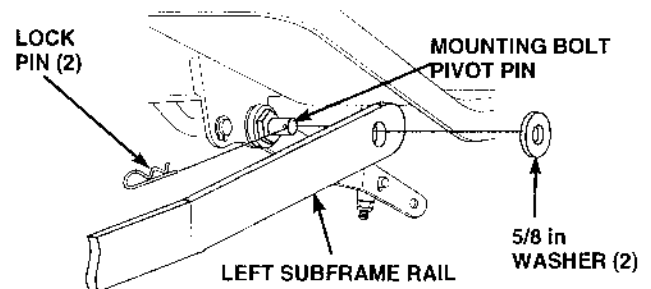
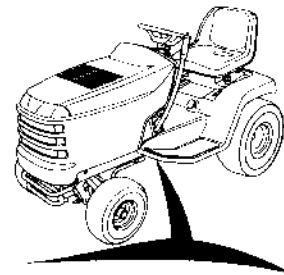
1. Lower the blade to the LOCKOUT position.



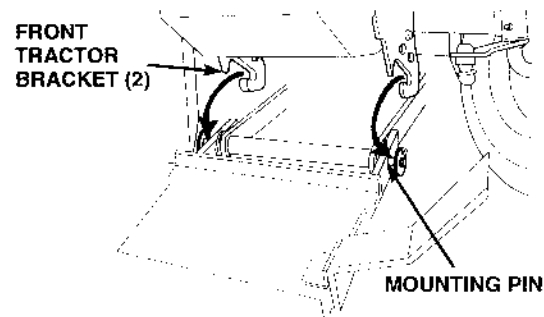
2. Pivot the lift arm lock away from the lift arm latch bolt.
Remove the lift arm link bolt from the lift arm latch groove.



3. Remove the lock pins and 5/8 inch washers from the left and right subframe rails and, remove the right and left subframe rails from the mounting bolt studs.
Install the washers and lock pins back on the mounting bolt studs for storage.



4. Lift the blade and pull the mounting pin out of the front tractor bracket grooves.

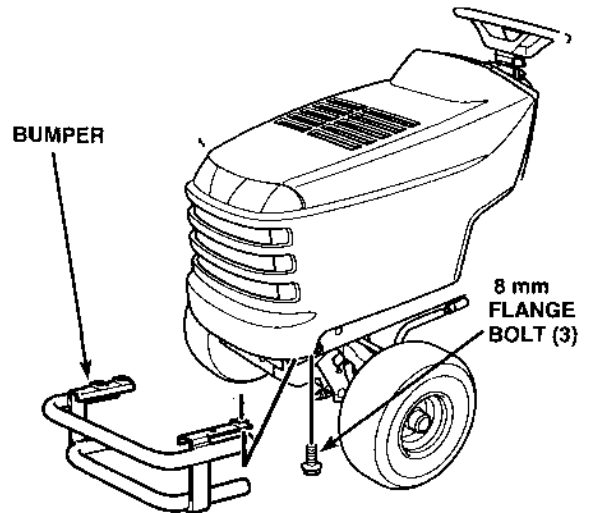


5. Install the bumper using the three 8 mm flange bolts that originally secured the bumper to the tractor frame.

⚠ CAUTION

Dry grass, leaves, or debris can catch fire if allowed to contact muffler.

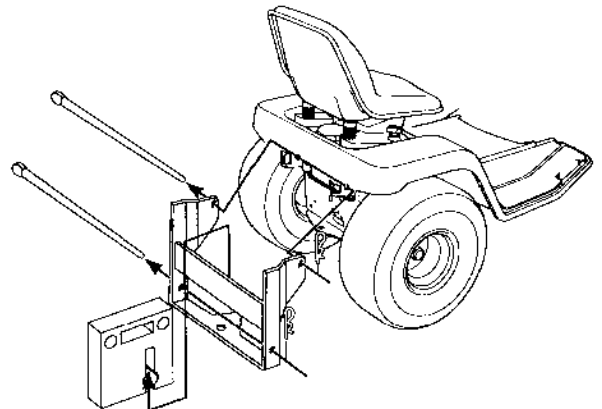
Do not operate mower deck without front guard in place.



6. Remove the counterweights and the counterweight bracket.

⚠ CAUTION

To help prevent injury: When the dozer blade is removed you **MUST** also remove the rear counterweights.



TRANSPORTING/STORAGE

TRANSPORTING

Lower the dozer blade to the surface of the transport vehicle.

Read the TRANSPORTING chapter of the HA4118H38A • HA4120H48A owner's manual.

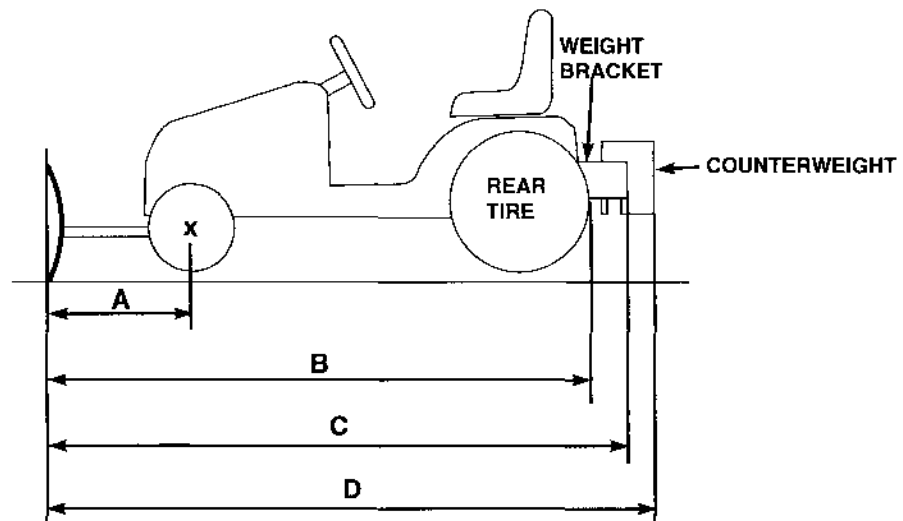
STORAGE

1. Never store the tractor with fuel in the fuel tank, inside a building, where open flames or sparks are present. Allow the engine to cool before storing in an enclosed space.
2. Clean the dozer blade thoroughly with garden hose water pressure. After the dozer blade is clean and dry, touch up any damaged paint, and coat other areas that may rust with a light film of oil.
3. Inspect for worn or damaged parts and repair or replace as necessary.
4. Store the dozer blade in a dry place. Do not cover with sheet plastic or other material which will trap moisture.

Lawn Tractor with Dozer Blade Attached

Overall length		
A		23.6 inch (60 cm)
B		80.3 inch (204 cm)
C		81.7 inch (207.5 cm)
D		86.4 inch (219.5 cm)
Overall height		40.7 in (1042 mm)
Overall width		42 in (1067 mm)
Wet weight*		525 lb (214.5 kg)

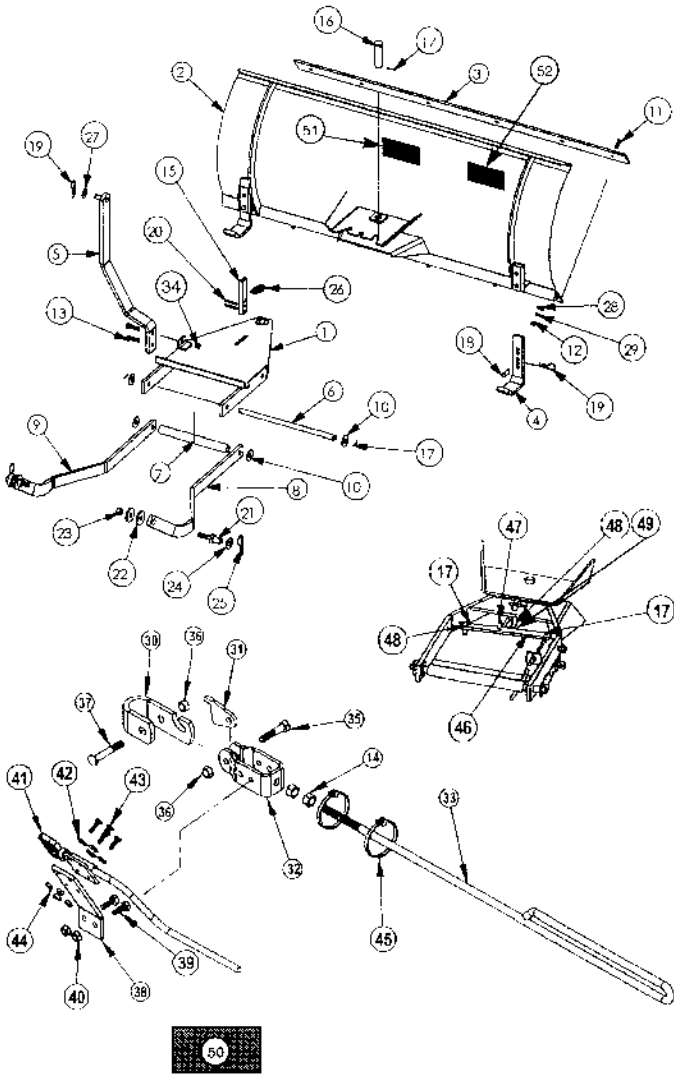
* Two 26 lb suitcase weights installed



Dozer Blade

Model	DB4142
Description code	RZEH
Weight	76.6 lb (34.5 kg)
Blade Angle Positions	3 (straight ahead, 25° left, 25° right)
Blade Height	15 in (381 mm)
Blade Width	
straight ahead	42 in (1067 mm)
angled	38 in (965 mm)
Lift travel	6 inches total — 5 inches up and 1 inch down

PARTS

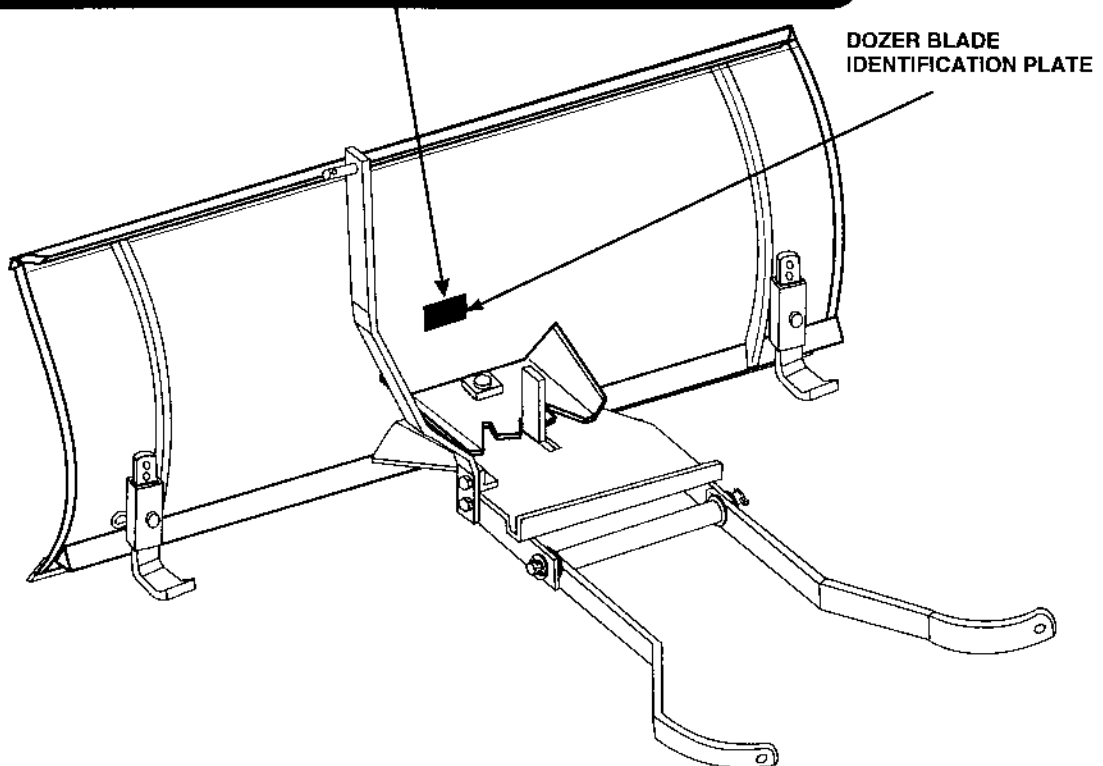


Ref	Description	Part Number	Qty
1	Frame Comp, Lift	82350-V09-P01	1
2	Blade Comp, Dozer 42"	82360-V09-P01	1
3	Plate, Edge	82363-V09-P01	1
4	Plate, Skid	82364-V09-P01	2
5	Arm Comp, Lift	82355-V09-P01	1
6	Pin, Mounting, 1/2" x 12"	90769-V09-P01	1
7	Collar, Tube	91568-V09-P01	1
8	Rail, Rh Subframe	82357-V09-P01	1
9	Rail, Lh Subframe	82358-V09-P01	1
10	Washer, Flat 1/2"	90541-V09-P01	4
11	Bolt, Hex, 5/16-18 x 1	90155-V09-P01	6
12	Nut, Hex, 5/16-18	90328-V09-P01	6
13	Bolt, Hex, 3/8-16 x 1-1/4"	90152-VG5-L00	2
14	Nut, Hex, 3/8-16	90329-V09-P01	2
15	Lever, Angle	82366-V09-P01	1
16	Pin, Clevis, 3/4"-2-3/4"	90785-VG5-000	1
17	Pin, Cotter, 1/8x1"	90751-VG5-L00	3
18	Pin, Clevis, 3/8"x1"	90770-V09-P01	2
19	Pin, Lock, 3/8"	90753-VG5-000	3
20	Pin, Roll, 3/16-1-1/2"	90761-VG5-000	2
21	Stud, Mounting	82369-V09-P01	2
22	Washer, Special	90542-V09-P01	4
23	Nut, Hex, M12	90308-V09-A01	2
24	Washer, Flat 5/8"	90543-V09-P01	2
25	Pin, Lock, 5/8"	90771-V09-P01	2
26	Spring, Tension	82368-V09-P01	1
27	Washer, Flat, 3/8"	90544-V09-P01	1
28	Washer, Flat, 5/16"	90545-V09-P01	6
29	Washer, Lock, 5/16"	90531-VG5-000	6
30	Latch, Lift Arm	82371-V09-P01	1
31	Lock, Lift Arm	82373-V09-P01	1
32	Link, Lift Arm	82376-V09-P01	1
33	Rod, Lift Arm	82378-V09-P01	1
34	Nut, Lock, 3/8-16"	90304-VE6-M00	2
35	Bolt, Hex, 5/16-18 x 1-1/2"	90133-VG5-000	1
36	Nut, Lock, 5/16-18	90331-V09-P01	2
37	Bolt, Carriage, 5/16-18 x 2	90156-V09-P01	1
38	Plate, Cable Mounting	82384-V09-P01	1
39	BOLT, 1/4-20 x 0.75"	90157-V09-P01	2
40	Nut, Lock, 1/4-20	90361-VG5-000	2
41	Cable, Blade Angle Release	82383-V09-P01	1
42	Washer, Flat, #10	90508-VG5-000	4
43	Screw, Pan, 10-24 x 5/8"	90187-VG5-000	4
44	Nut, Keps, 10-24	90308-VG5-000	4
45	Tie, Cable	25619-VG5-000	2
46	Lever, Cable	82386-V09-P01	1
47	Link, Cable	82397-V09-P01	1
48	Washer, Flat, 1/4"	90510-VG5-000	2
49	Pin, Cotter, 1/16" x 1/2"	90784-VG5-0000	1
50	Reflector, Platform	33744-V09-P01	2
51	Plate, Serial	87109-V09-P01	1
52	Mark, Blade Warning	87647-V09AP01	1

INFORMATION LABELS

Record the model and serial number in the boxes below. You will need these numbers when ordering parts and when making technical or warranty inquiries.

MODEL: **DB4142**
SERIAL NO: **RZEH-1000001**
AMERICAN HONDA MOTOR CO., INC
DULUTH, GA. **MADE IN U.S.A.**



Model: DB4142

Serial Number: RZEH-

OPTIONS

Below is a list of available options to enhance productivity and comfort when operating your dozer blade.

Weight Kit

Kit includes the rear counterweight bracket, attaching hardware, and installation instructions.

Counterweights (suitcase)

Counterweight will provide extra traction and proper balance.

ADDITIONAL INFORMATION

WARRANTY SERVICE INFORMATION

Honda Power Equipment dealership personnel are trained professionals. They should be able to answer any question you may have. If you encounter a problem that your dealer does not solve to your satisfaction, please discuss it with the dealership's management. The Service Manager or General Manager can help. Almost all problems are solved in this way.

If you are dissatisfied with the decision made by the dealership's management, contact the Honda Power Equipment Customer Relations Office.

You can write to: **American Honda Motor Co., Inc.**
Power Equipment Division
Customer Relations Office
4475 River Green Parkway
Duluth, GA 30096-2565

Or telephone: (770) 497-6400 weekdays, 8:30 a.m. - 5:00 p.m. EST

When you call or write, please provide us the following information:

- Model and serial numbers (lawn tractor and dozer blade)
- Name of the dealer who sold you the dozer blade
- Name and address of the dealer who services your dozer blade or lawn tractor
- Date of purchase
- Your name, address, and telephone number
- A detailed description of the problem

Current customer service contact information:

United States, Puerto Rico, and U.S. Virgin Islands:

Honda Power Equipment dealership personnel are trained professionals. They should be able to answer any question you may have. If you encounter a problem that your dealer does not solve to your satisfaction, please discuss it with the dealership's management. The Service Manager or General Manager can help. Almost all problems are solved in this way.

If you are dissatisfied with the decision made by the dealership's management, contact the Honda Power Equipment Customer Relations Office. You can write:

American Honda Motor Co., Inc.
Power Equipment Division
Customer Relations Office
4900 Marconi Drive
Alpharetta, GA 30005-8847

Or telephone: (770) 497-6400 M-F, 8:30 am - 5:00 pm EST

When you write or call, please provide the following information:

- Model and serial numbers
- Name of the dealer who sold the Honda power equipment to you
- Name and address of the dealer who services your equipment
- Date of purchase
- Your name, address, and telephone number
- A detailed description of the problem

HONDA

P/N: 31HA460DB
H/C: 6059679



Printed on
Recycled Paper