

APPLICATIONS	FUEL TANK KIT	PUBLICATION NO.
GCV160 • GCV190 • GSV190 Engines Used on Honda and OEM Products	Part Number 06175-Z8B-800	PII54352
		Issue Date April 2012

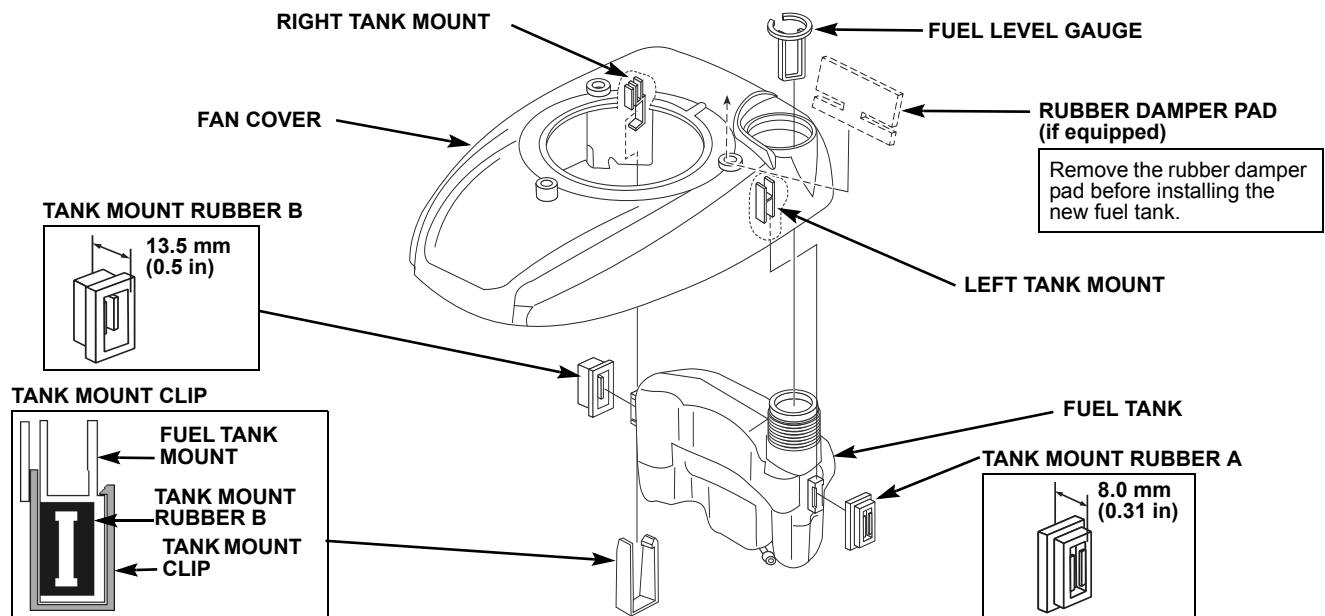
NOTICE

Failing to follow these instructions when installing this certified fuel tank kit in non-road equipment violates federal law (40 CFR 1068.105(b)), subjecting you to fines or other penalties as described in the Clean Air Act. Installer must meet the requirements of §1054.112 and 40 CFR part 1060. In order to maintain emission compliance, the use of any unauthorized modifications to the fuel tank kit is prohibited.

PARTS LIST	Ref.	Description	Part Number	
	①	Fuel Tank	17511-Z8B-800	
	②	Tank Mount Rubber A	17532-Z8B-800	
	③	Tank Mount Rubber B	17533-Z8B-800	
	④	Tank Mount Clip	17516-Z0L-000	
	⑤	Fuel Level Gauge	17636-Z0L-010	

INSTALLATION PROCEDURE

1. Stop the engine and allow it to cool.
2. Remove the fuel tank from the fan cover following the appropriate shop manual procedure.
3. If a rubber damper pad is attached to the fan cover with two-sided tape, remove the pad before installing the new fuel tank.
4. Install the new fuel tank to the fan cover using **new** rubber tank mounts A and B, and secure with the new tank mount clip as shown. Do not reuse the original rubber mounts on the new fuel tank.
5. Install the new fuel level gauge in the neck of the new fuel tank.
6. Reassemble the fan cover in the reverse order following the appropriate shop manual.
7. Start the engine and verify that the engine operates properly. Check for fuel leaks.



HONDA

The Power of Dreams