

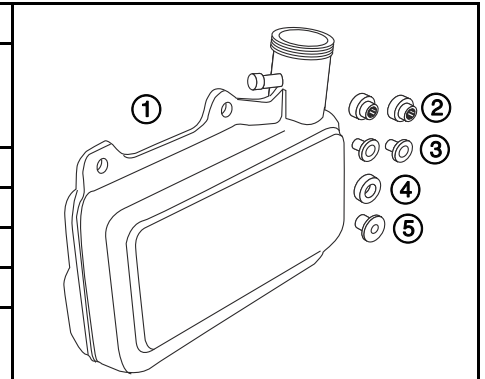
APPLICATION	FUEL TANK KIT	PUBLICATION NO.
GC160 • GC190 • GS190 Engines  Used on Honda and OEM Products	Part Number 06175-Z8A-800 or 06175-Z8A-810	PII54351
		<b>Issue Date</b> April 2012

### NOTICE

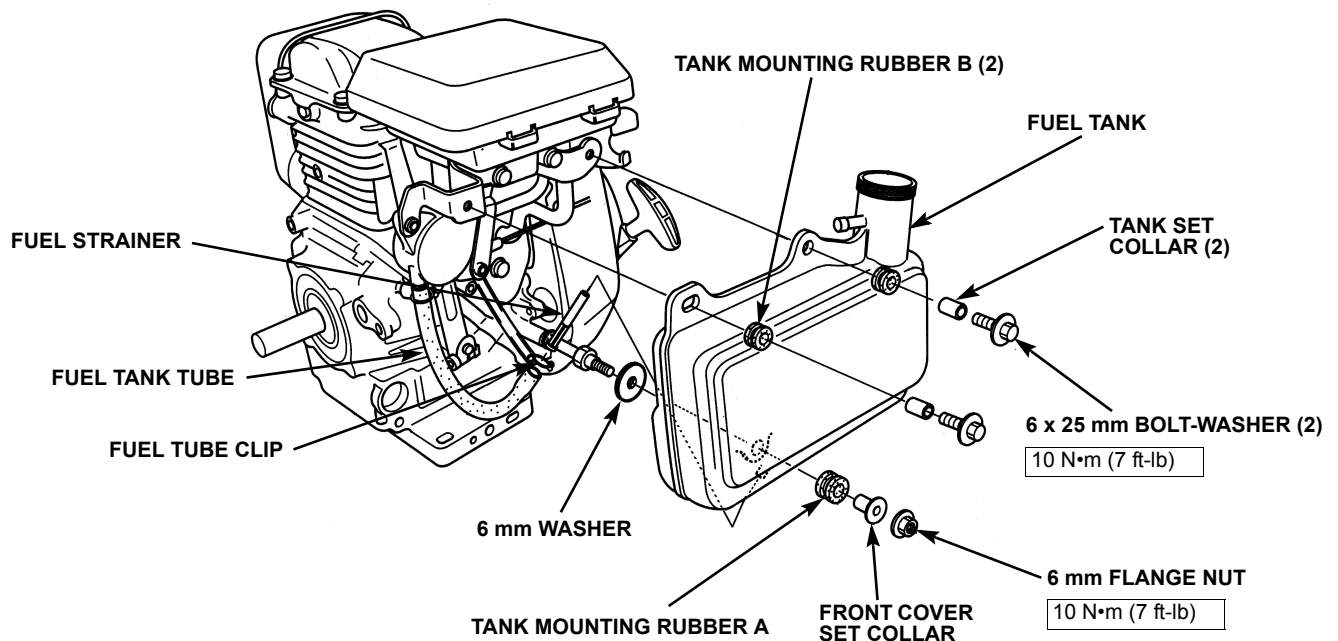
Failing to follow these instructions when installing this certified fuel tank kit in non-road equipment violates federal law (40 CFR 1068.105(b)), subjecting you to fines or other penalties as described in the Clean Air Act. Installer must meet the requirements of §1054.112 and 40 CFR part 1060. In order to maintain emission compliance, the use of any unauthorized modifications to the fuel tank kit is prohibited.

### PARTS LIST

Ref.	Description	Quantity	Part Number
①	Fuel Tank	1	17511-Z8A-800 or 17511-Z8A-810
②	Tank Mounting Rubber B	2	17533-Z8A-800
③	Tank Set Collar	2	17518-Z8A-800
④	Tank Mounting Rubber A	1	17532-Z8A-800
⑤	Front Cover Set Collar	1	17535-KE7-000



1. Stop the engine and allow it to cool.
2. Remove the fuel tank using the appropriate shop manual.
3. Install the new fuel tank reusing the 6 mm washer, 6 mm flange nut, and two 6 x 25 mm bolt-washers and using a **new** tank mounting rubber A, two tank mounting rubber B's, two tank set collars, and front cover set collar as shown.
4. Reassemble the engine in the reverse order following the appropriate shop manual.
5. Start the engine and verify that the engine operates properly. Check for fuel leaks.



**HONDA**

The Power of Dreams